

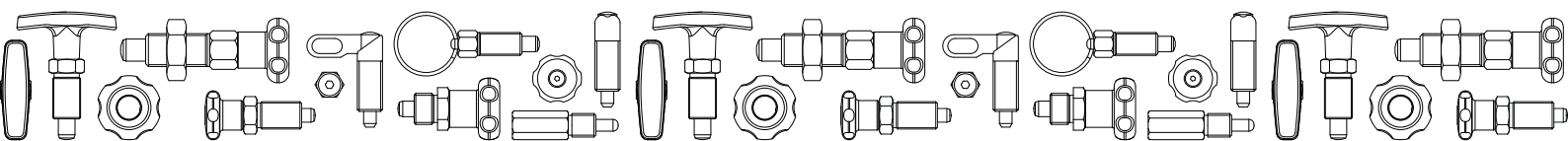


GROUP - 22

METAL PLUNGERS LINE

BOTECO Metal Plungers Line

Sub-group of the METALLINE[®] family, this section groups together all of Boteco's metal plungers: small positioning and locking systems used in a variety of different machines and equipment. The easy-to-lift pin and its return via a spring to its initial position facilitates and speeds up repetitive stop and lock operations. The range is extensive and includes many alternative solutions, both in terms of design and materials. For detailed information on the specifications of each individual product please consult the technical sheet.



W770



GALVANIZED STEEL HEXAGONAL PLUNGER WITH SMOOTH NOSE PIN

Materials:

- (2) Plunger body in free-cutting steel.
- (4) Turned steel closing cap, with hexagonal key seat.
- (1) Turned free-cutting steel nose pin.

Surface finish:

Smooth.

Colour:

Standard blue galvanising.

Spring:

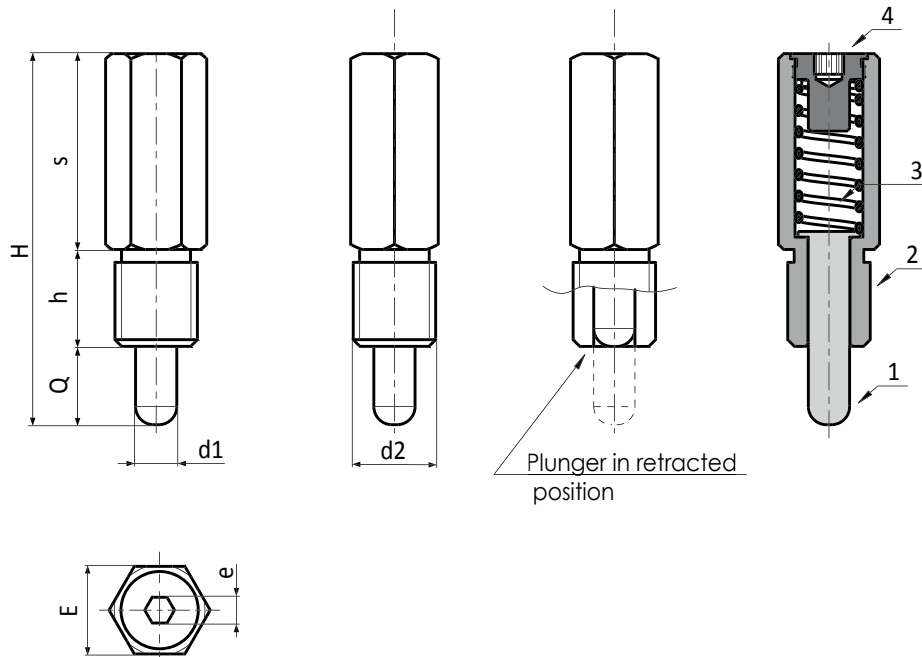
- (3) Stainless steel spring (Aisi 302).

Special Requests:

- None.

ATTENTION:

> We recommend an H7 tolerance for the plunger stem bore.



Code	Art.	E	H	h	s	e	d2	d1 -0,04 -0,08	Q	g
W77017.0001	W77017.Q08X15	17	72	19	38	5	M16	08	15	72

W790

+80°
-20°

PA6
+G.F.

C40

UL94
HB

RoHS
COMPLIANT

KNOB WITH BLACK OXIDE TREATED STEEL PLUNGER AND FLANGE

Materials:

(3) Reinforced polyamide lobed knob. Cannot be disassembled.
Resistant to oils and greases.

Surface finish:

(3) Satin.
(1-2) Smooth.

Colour:

(3) Black (RAL 9011).
(1-2) Black-oxide treated.

Inserts:

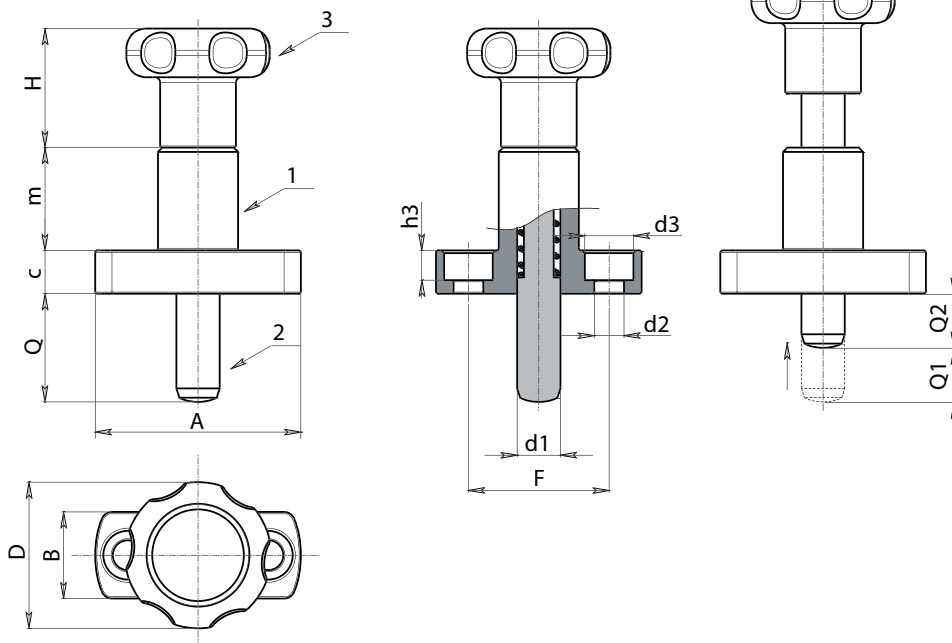
(4) Stainless steel spring.
(1) Smooth steel body, with incorporated turned and bored flange.
(2) Hardened high resistance steel plunger pin.

ATTENTION:

> We recommend an H7 tolerance for the plunger stem bore.

Special Requests:

- On request and for special quantities the knob can be supplied in the colours indicated in the table [page 959].



Code	Art.	D	H	m	c	A	B	F	h3	d2	d3	d1 -0,02 -0,04	Q	Q1	Q2	g
W790027.0001	W790027.Q08X2001	27	22	19	8	38	16	26	5.5	5.5	9	8	20	10	10	74
W790027.0002	W790027.Q08X2601	27	22	19	8	38	16	26	5.5	5.5	9	8	26	10	16	75
W790027.0004	W790027.Q10X2401	27	22	19	8	38	16	26	5.5	5.5	9	10	24	12	12	75
W790027.0006	W790027.Q10X3201	27	22	19	8	38	16	26	5.5	5.5	9	10	32	12	20	76

W806



KNOB WITH SMOOTH WELDABLE BLACK OXIDE TREATED STEEL PLUNGER

Materials:

(4) Reinforced polyamide lobed knob.
Resistant to oils and greases.

Surface finish:

(4) Satin.
(1-2) Smooth.

Colour:

(4) Black (RAL 9011).
(1-2) Black-oxide treated.

Inserts:

(3) Galvanised steel spring.
(2) Smooth bored body in weldable steel.
(1) Hardened high resistance steel plunger pin.

ATTENTION:

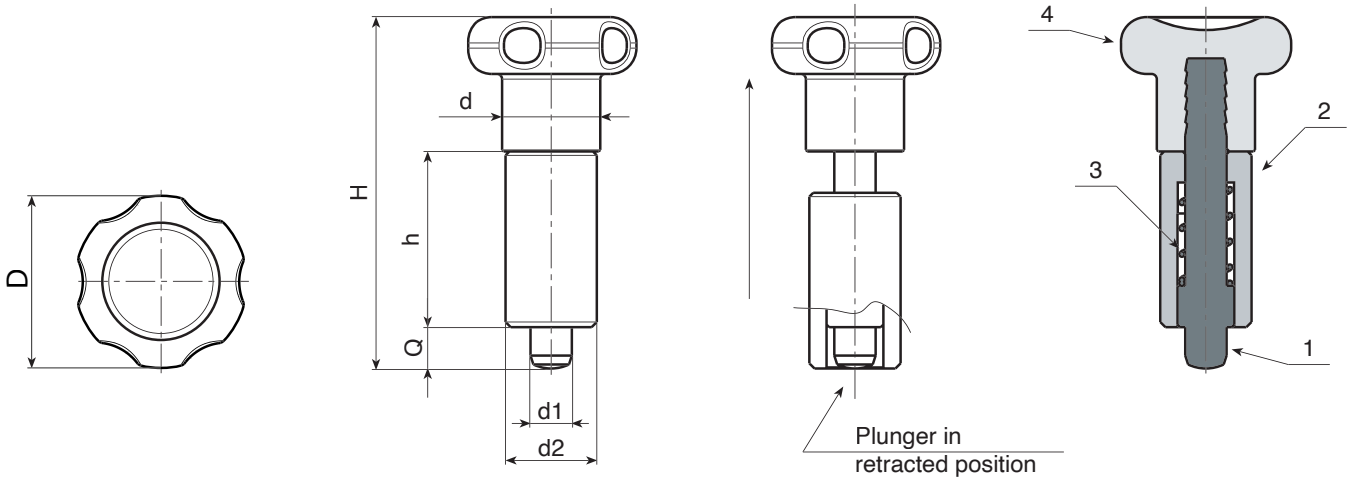
> We recommend an H7 tolerance for the plunger stem bore.

Special Requests:

- On request and for special quantities the knob can be supplied in the colours indicated in the table [page 959].

ATTENTION:

To avoid problems when welding the steel body to the machinery, the plastic knob is supplied disassembled. Screw in the knob once the part has cooled down.



Code	Art.	D	H	h	d2	d	d1 -0,02 -0,04	Q	g
W806.0001	W806.Q0501	22	45	22	12	12	5	5	23
W806.0002	W806.Q0601	27	54	26	14	14	6	6	40
W806.0003	W806.Q0801	33	68	34	18	19	8	8	84

W780

KNOB WITH SHORT STEEL INDEXING PLUNGER



Materials:

(4) Reinforced polyamide lobed knob. Cannot be disassembled. Resistant to oils and greases.

(5) Central cap in polyamide. Resistant to oils and greases.

W780:

(3) Galvanised steel spring.

(2) Threaded high-resistance steel hexagon ring nut.

(1) Hardened high resistance steel plunger pin.

(6) Galvanised steel knob fixing screw (ISO 7046).

W780CIN:

(3) Stainless steel spring (Aisi 301).

(2) Threaded stainless steel hexagon ring nut (Aisi 303).

(1) Stainless steel plunger pin (Aisi 303).

(6) Galvanised steel knob fixing screw (ISO 7046).

Surface finish:

(4-5) Satin.

(1-2-3) Smooth.

Colour:

(4) Black (RAL 9011).

(5) Grey (RAL 7035).

W780:

(1-2) Black-oxide treated.

W780CIN:

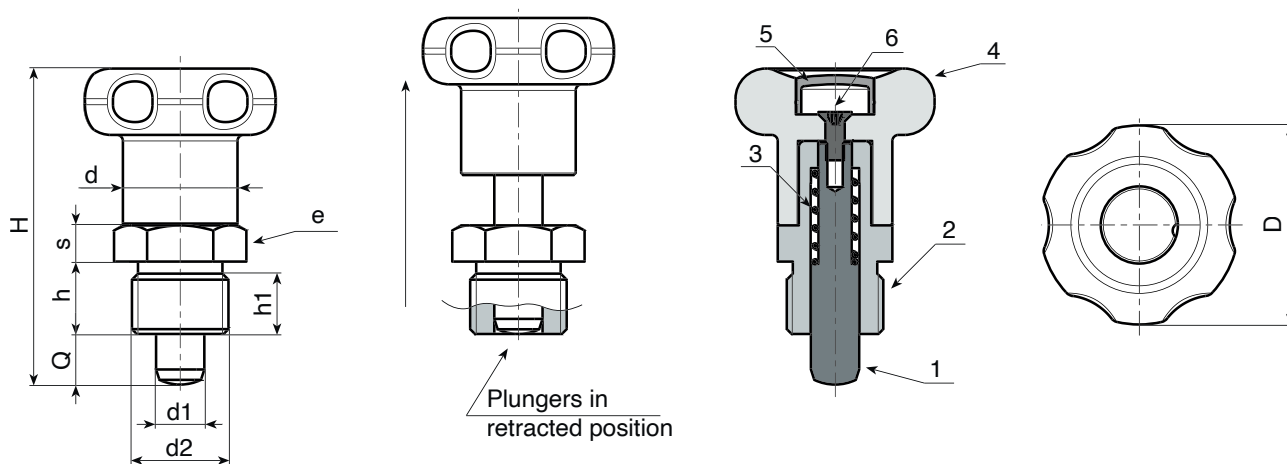
(1-2) Natural.

ATTENTION:

> We recommend an H7 tolerance for the plunger stem bore.

Special Requests:

- On request and for special quantities the knob can be supplied in the colours indicated in the table [page 959].



Version W780 - black-oxide treated steel

Code	Art.	D	H	h	h1	d2	d	e	s	d1 -0,02 -0,04	Q	g
W780.0003	W780.Q0601	27	43	10	8	M12x1,5	14	17	5	6	6	31
W780.0004	W780.Q0801	33	52	12	10	M16x1,5	19	19	6	8	8	57

Version W780 CIN - stainless steel (Aisi 303)

INOX

Code	Art.	D	H	h	h1	d2	d	e	s	d1 -0,02 -0,04	Q	g
W780.0001	W780.I0601CIN	27	43	10	8	M12x1,5	14	17	5	6	6	31
W780.0002	W780.I0801CIN	33	52	12	10	M16x1,5	19	19	6	8	8	57

W781



KNOB WITH SHORT STEEL INDEXING PLUNGER - WITH NUT

Materials:

(4) Reinforced polyamide lobed knob. Cannot be disassembled. Resistant to oils and greases.

(5) Central cap in polyamide. Resistant to oils and greases.

W781:

(3) Galvanised steel spring.

(2) Threaded high-resistance steel hexagon ring nut.

(1) Hardened high resistance steel plunger pin.

(6) Galvanised steel knob fixing screw (ISO 7046).

(8) Steel lock nut (UNI 5589).

W781CIN:

(3) Stainless steel spring (Aisi 301).

(2) Threaded stainless steel hexagon ring nut (Aisi 303).

(1) Stainless steel plunger pin (Aisi 303).

(6) Galvanised steel knob fixing screw (ISO 7046).

(8) Stainless steel lock nut (Aisi 304) (UNI 5589).

Surface finish:

(4-5) Satin.

(1-2-3-8) Smooth.

Colour:

(4) Black (RAL 9011).

(5) Grey (RAL 7035).

W781:

(1-2-8) Black-oxide treated.

W781CIN:

(1-2-8) Natural.

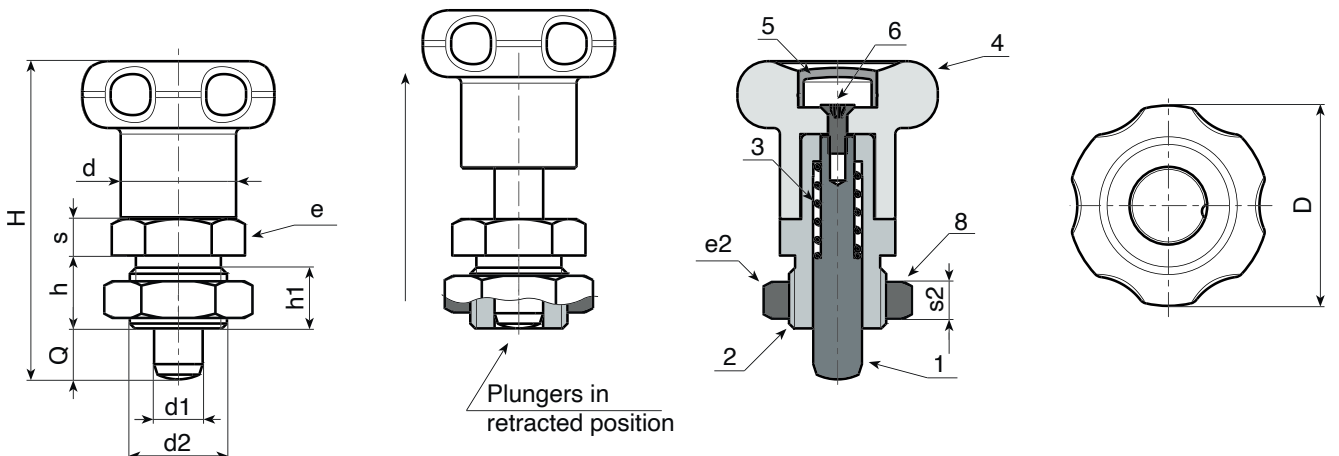
ATTENTION:

> We recommend an H7 tolerance for the plunger stem bore.

> The nut is supplied assembled.

Special Requests:

- On request and for special quantities the knob can be supplied in the colours indicated in the table [page 959].
- On request the nut can be supplied disassembled.



Version W781 - black-oxide treated steel

Code	Art.	D	H	h	h1	d2	d	e	s	e2	s2	d1 -0,02 -0,04	Q	g
W781.0003	W781.Q0601	27	43	10	8	M12x1,5	14	17	5	19	7	6	6	41
W781.0004	W781.Q0801	33	52	12	10	M16x1,5	19	19	6	24	8	8	8	75

Version W781 CIN - stainless steel (Aisi 303)

Code	Art.	D	H	h	h1	d2	d	e	s	e2	s2	d1 -0,02 -0,04	Q	g
W781.0001	W781.I0601CIN	27	43	10	8	M12x1,5	14	17	5	19	7	6	6	41
W781.0002	W781.I0801CIN	33	52	12	10	M16x1,5	19	19	6	24	8	8	8	75

INOX

W270

T-HANDLE WITH STEEL INDEXING PLUNGER



Materials:

- (3) Stainless steel spring (Aisi 301).
- (4) Reinforced polyamide T-handle. Cannot be disassembled. Resistant to oils and greases.

W270:

- (2) Threaded high-resistance steel hexagon ring nut.
- (1) Hardened high resistance steel plunger pin.

W270CIN:

- (2) Threaded stainless steel hexagon ring nut (Aisi 303).
- (1) Stainless steel plunger pin (Aisi 303).

Surface finish:

- (4) Satin.
- (1-2-3-5) Smooth.

Colour:

- (4) Black (RAL 9011).

W270:

- (1-2-5) Black-oxide treated.

W270CIN:

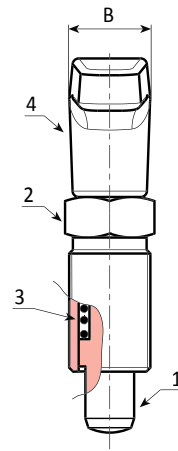
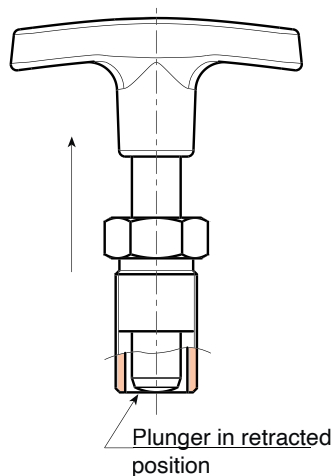
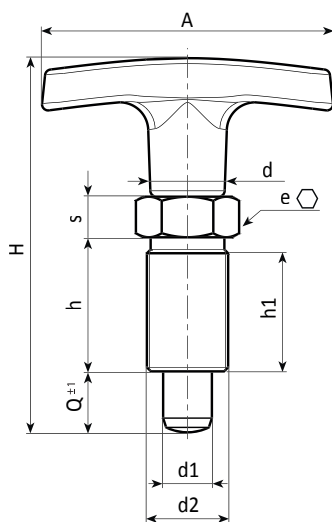
- (1-2-5) Natural.

ATTENTION:

- > We recommend an H7 tolerance for the plunger stem bore.

Special Requests:

- On request and for special quantities the T-handle can be supplied in the colours indicated in the table [page 959].



Version W270 - black-oxide treated steel

Code	Art.	A	B	H	h	h1	d2	d	e	s	d1 -0,02 -0,04	Q	g
W270.0007	W270.Q0501	50	15	51	17	15	M10x1	14	12	5	5	5	29
W270.0008	W270.Q0601	50	15	56	20	18	M12x1,5	14	14	6	6	6	36
W270.0009	W270.Q0801	60	18	75	26	24	M16x1,5	16,5	19	8	8	8	73
W270.0010	W270.Q1001	72	20	87	33	31	M20x1,5	18,5	22	10	10	10	136

Version W270CIN - stainless steel (Aisi 303)

Code	Art.	A	B	H	h	h1	d2	d	e	s	d1 -0,02 -0,04	Q	g
W270.0001	W270.I0501CIN	50	15	51	17	15	M10x1	14	12	5	5	5	29
W270.0002	W270.I0601CIN	50	15	56	20	18	M12x1,5	14	14	6	6	6	36
W270.0003	W270.I0801CIN	60	18	75	26	24	M16x1,5	16,5	19	8	8	8	73
W270.0004	W270.I1001CIN	72	20	87	33	31	M20x1,5	18,5	22	10	10	10	136



W271



T-HANDLES WITH STEEL INDEXING PLUNGER AND LOCK NUT

Materials:

- (3) Stainless steel spring (Aisi 301).
- (4) Reinforced polyamide T-handle. Cannot be disassembled. Resistant to oils and greases.

W271:

- (2) Threaded high-resistance steel hexagon ring nut.
- (1) Hardened high resistance steel plunger pin.
- (5) Threaded steel lock nut (UNI 5589).

W271CIN:

- (2) Threaded stainless steel hexagon ring nut (Aisi 303).
- (1) Stainless steel plunger pin (Aisi 303).
- (5) Threaded stainless steel lock nut (Aisi 304) (UNI 5589).

Surface finish:

- (4) Satin.
- (1-2-3-5) Smooth.

Colour:

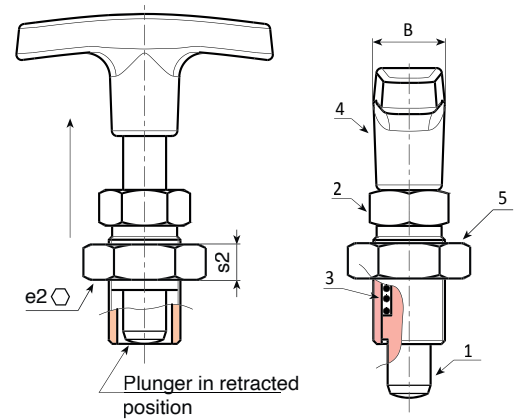
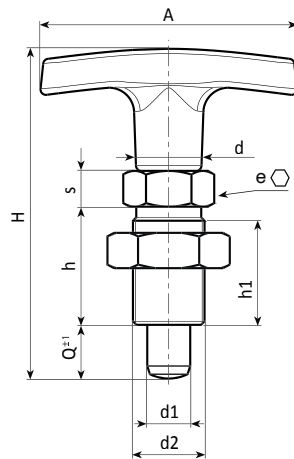
- (4) Black (RAL 9011).
- W271: (1-2-5) Black-oxide treated.
- W271CIN: (1-2-5) Natural.

ATTENTION:

- > We recommend an H7 tolerance for the plunger stem bore.
- > The nut is supplied assembled.

Special Requests:

- On request and for special quantities the T-handle can be supplied in the colours indicated in the table [page 959].
- On request the nut can be supplied disassembled.



Version W271 - black-oxide treated steel

Code	Art.	A	B	H	h	h1	d2	d	e	s	e2	s2	d1 -0,02 -0,04	Q	g
W271.0005	W271.Q0501	50	15	51	17	15	M10x1	14	12	5	17	5	5	5	34
W271.0006	W271.Q0601	50	15	56	20	18	M12x1,5	14	14	6	19	6	6	6	45
W271.0007	W271.Q0801	60	18	75	26	24	M16x1,5	16,5	19	8	24	8	8	8	90
W271.0008	W271.Q1001	72	20	87	33	31	M20x1,5	18,5	22	10	30	9	10	10	161

Version W271 CIN - stainless steel (Aisi 303)

Code	Art.	A	B	H	h	h1	d2	d	e	s	e2	s2	d1 -0,02 -0,04	Q	g
W271.0001	W271.I0501CIN	50	15	51	17	15	M10x1	14	12	5	17	5	5	5	34
W271.0002	W271.I0601CIN	50	15	56	20	18	M12x1,5	14	14	6	19	6	6	6	45
W271.0003	W271.I0801CIN	60	18	75	26	24	M16x1,5	16,5	19	8	24	8	8	8	90
W271.0004	W271.I1001CIN	72	20	87	33	31	M20x1,5	18,5	22	10	30	9	10	10	161



W800

KNOB WITH STEEL INDEXING PLUNGER



Materials:

- (3) Stainless steel spring (Aisi 301).
- (4) Reinforced polyamide lobed knob. Cannot be disassembled. Resistant to oils and greases.

W800:

- (2) Threaded high-resistance steel hexagon ring nut.
- (1) Hardened high resistance steel plunger pin.

W800CIN:

- (2) Threaded stainless steel hexagon ring nut (Aisi 303).
- (1) Stainless steel plunger pin (Aisi 303).

Surface finish:

- (4) Satin.
- (1-2-3) Smooth.

Colour:

- (4) Black (RAL 9011).

W800:

- (1-2) Black-oxide treated.

W800CIN:

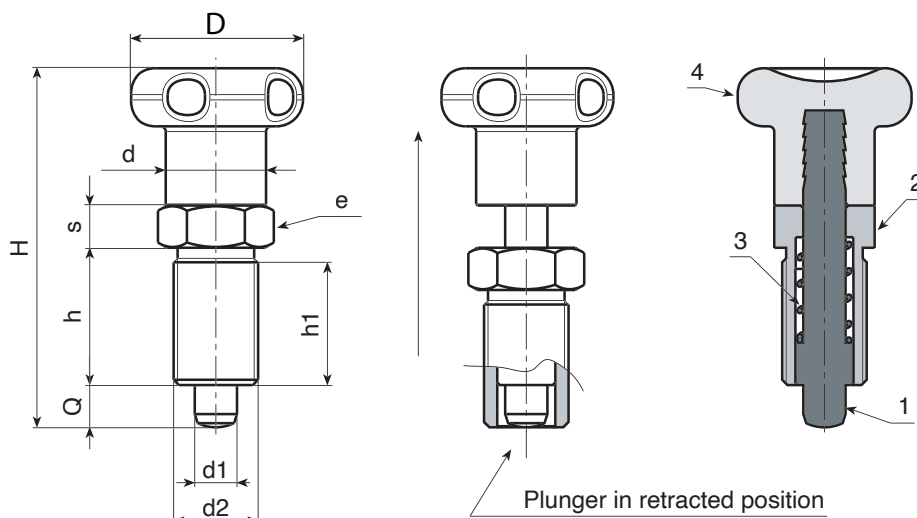
- (1-2) Natural.

ATTENTION:

- > We recommend an H7 tolerance for the plunger stem bore.

Special Requests:

- On request and for special quantities the knob can be supplied in the colours indicated in the table [page 959].



Version W800 - black-oxide treated steel

Code	Art.	D	H	h	h1	d2	d	e	s	d1 -0,02 -0,04	Q	g
W800.0006	W800.Q0501	22	45	17	15	M10x1	12	12	5	5	5	18
W800.0007	W800.Q0601	27	54	20	18	M12x1,5	14	14	6	6	6	31
W800.0008	W800.Q0801	33	68	26	23	M16x1,5	19	19	8	8	8	71
W800.0010	W800.Q1001	33	79	33	30	M20x1,5	19	22	10	10	10	123

Version W800 CIN - stainless steel (Aisi 303)

Code	Art.	D	H	h	h1	d2	d	e	s	d1 -0,02 -0,04	Q	g
W800.0001	W800.I0501CIN	22	45	17	15	M10x1	12	12	5	5	5	18
W800.0002	W800.I0601CIN	27	54	20	18	M12x1,5	14	14	6	6	6	31
W800.0003	W800.I0801CIN	33	68	26	23	M16x1,5	19	19	8	8	8	71
W800.0005	W800.I1001CIN	33	79	33	30	M20x1,5	19	22	10	10	10	123

INOX



W801



PA6
+G.F.

Aisi
303

C40

UL94
HB



KNOB WITH STEEL INDEXING PLUNGER AND LOCK NUT

Materials:

- (3) Stainless steel spring (Aisi 301).
- (4) Reinforced polyamide lobed knob. Cannot be disassembled. Resistant to oils and greases.

W801:

- (2) Threaded high-resistance steel hexagon ring nut.
- (1) Hardened high resistance steel plunger pin.
- (5) Threaded steel lock nut (UNI 5589).

W801CIN:

- (2) Threaded stainless steel hexagon ring nut (Aisi 303).
- (1) Stainless steel plunger pin (Aisi 303).
- (5) Threaded stainless steel lock nut (Aisi 304) (UNI 5589).

Surface finish:

- (4) Satin.
- (1-2-3-5) Smooth.

Colour:

- (4) Black (RAL 9011).

W801:

- (1-2-5) Black-oxide treated.

W801CIN:

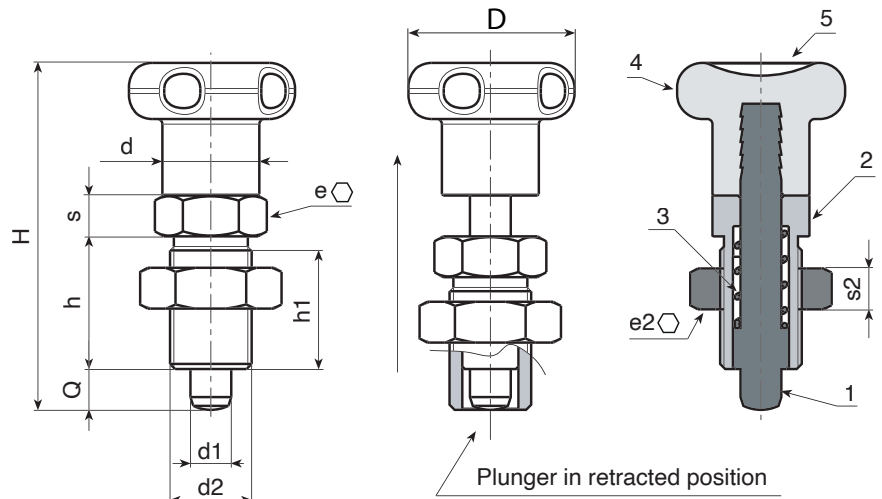
- (1-2-5) Natural.

ATTENTION:

- > We recommend an H7 tolerance for the plunger stem bore.
- > The nut is supplied assembled.

Special Requests:

- On request and for special quantities the knob can be supplied in the colours indicated in the table [page 959].
- On request the nut can be supplied disassembled.



Version W801 - black-oxide treated steel

Code	Art.	D	H	h	h1	d2	d	e	s	e2	s2	d1 -0,02 -0,04	Q	g
W801.0007	W801.Q0501	22	45	17	15	M10x1	12	12	5	17	6	5	5	25
W801.0008	W801.Q0601	27	54	20	18	M12x1,5	14	14	6	19	7	6	6	41
W801.0009	W801.Q0801	33	68	26	23	M16x1,5	19	19	8	24	8	8	8	89
W801.0010	W801.Q1001	33	79	33	30	M20x1,5	19	22	10	30	9	10	10	153

Version W801 CIN - stainless steel (Aisi 303)

INOX

Code	Art.	D	H	h	h1	d2	d	e	s	e2	s2	d1 -0,02 -0,04	Q	g
W801.0001	W801.I0501CIN	22	45	17	15	M10x1	12	12	5	17	6	5	5	25
W801.0003	W801.I0601CIN	27	54	20	18	M12x1,5	14	14	6	19	7	6	6	41
W801.0004	W801.I0801CIN	33	68	26	23	M16x1,5	19	19	8	24	8	8	8	89
W801.0006	W801.I1001CIN	33	79	33	30	M20x1,5	19	22	10	30	9	10	10	153

W912



KNOB WITH STEEL INDEXING PLUNGER AND LONG NOSE PIN

Materials:

- (3) Stainless steel spring (Aisi 301).
- (4) Reinforced polyamide lobed knob. Cannot be disassembled. Resistant to oils and greases.

W912:

- (2) Threaded high-resistance steel hexagon ring nut.
- (1) Hardened high resistance steel plunger pin.

W912CIN:

- (2) Threaded stainless steel hexagon ring nut (Aisi 303).
- (1) Stainless steel plunger pin (Aisi 303).

Surface finish:

- (4) Satin.
- (1-2-3) Smooth.

Colour:

- (4) Black (RAL 9011).

W912:

- (1-2) Black-oxide treated.

W912CIN:

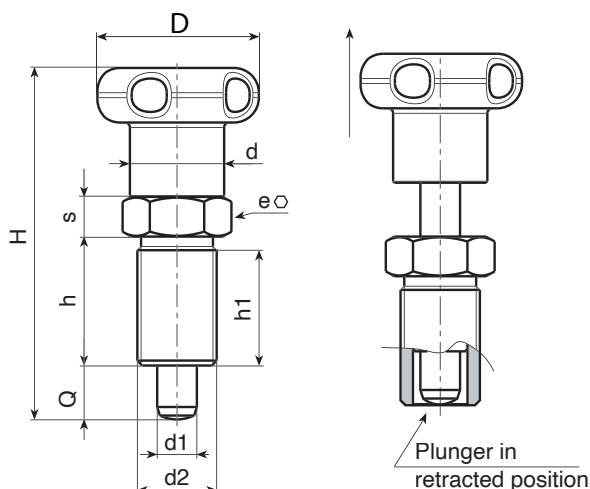
- (1-2) Natural.

ATTENTION:

- > We recommend an H7 tolerance for the plunger stem bore.

Special Requests:

- On request and for special quantities the knob can be supplied in the colours indicated in the table [page 959].



Version W912 - black-oxide treated steel

Code	Art.	D	H	h	h1	d2	d	e	s	d1-0,02 -0,04	Q	g
W912010.0001	W912010.Q05X0801	22	48	17	15	M10x1	12	12	5	5	8	19
W912012.0002	W912012.Q06X0901	27	57	20	18	M12x1,5	14	14	6	6	9	31
W912016.0004	W912016.Q08X1201	33	72	26	23	M16x1,5	19	19	8	8	12	73
W912016.0006	W912016.Q10X1201	33	72	26	23	M16x1,5	19	19	8	10	12	74
W912020.0001	W912020.Q12X1501	33	84	33	30	M20x1,5	19	22	10	12	15	128

Version W912 CIN - stainless steel (Aisi 303)

INOX

Code	Art.	D	H	h	h1	d2	d	e	s	d1-0,02 -0,04	Q	g
W912010.0002	W912010.I05X0801CIN	22	48	17	15	M10x1	12	12	5	5	8	19
W912012.0001	W912012.I06X0901CIN	27	57	20	18	M12x1,5	14	14	6	6	9	31
W912016.0005	W912016.I08X1201CIN	33	72	26	23	M16x1,5	19	19	8	8	12	73
W912016.0001	W912016.I10X1201CIN	33	72	26	23	M16x1,5	19	19	8	10	12	74
W912020.0002	W912020.I12X1501CIN	33	84	33	30	M20x1,5	19	22	10	12	15	128



W913



KNOB WITH STEEL INDEXING PLUNGER, LONG NOSE PIN AND LOCK NUT

Materials:

- (3) Stainless steel spring (Aisi 301).
- (4) Reinforced polyamide lobed knob. Cannot be disassembled. Resistant to oils and greases.

W913:

- (2) Threaded high-resistance steel hexagon ring nut.
- (1) Hardened high resistance steel plunger pin.
- (5) Threaded steel lock nut (UNI 5589).

W913CIN:

- (2) Threaded stainless steel hexagon ring nut (Aisi 303).
- (1) Stainless steel plunger pin (Aisi 303).
- (5) Threaded stainless steel lock nut (Aisi 304) (UNI 5589).

Surface finish:

- (4) Satin.
- (1-2-5) Smooth.

Colour:

- (4) Black (RAL 9011).

W913:

- (1-2-5) Black-oxide treated.

W913CIN:

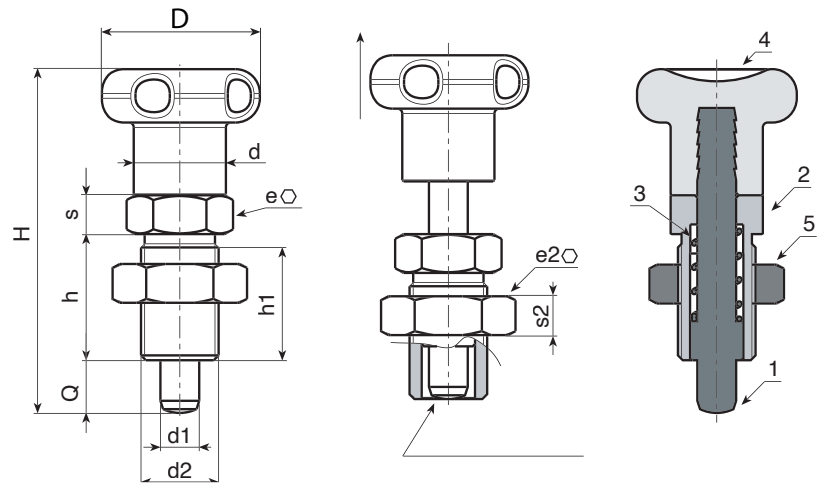
- (1-2-5) Natural.

ATTENTION:

- > We recommend an H7 tolerance for the plunger stem bore.
- > The nut is supplied assembled.

Special Requests:

- On request and for special quantities the knob can be supplied in the colours indicated in the table [page 959].
- On request the nut can be supplied disassembled.



Version W913 - black-oxide treated steel

Code	Art.	D	H	h	h1	d2	d	e	s	e2	s2	d1-0,02 -0,04	Q	g
W913010.0001	W913010.Q05X0801	22	48	17	15	M10x1	12	12	5	17	6	5	8	25
W913012.0001	W913012.Q06X0901	27	57	20	18	M12x1,5	14	14	6	19	7	6	9	41
W913016.0006	W913016.Q08X1201	33	72	26	23	M16x1,5	19	19	8	24	8	8	12	89
W913016.0007	W913016.Q10X1201	33	72	26	23	M16x1,5	19	19	8	24	8	10	12	89
W913020.0002	W913020.Q12X1501	33	84	33	30	M20x1,5	19	22	10	30	9	12	15	153

Version W913 CIN - stainless steel (Aisi 303)

INOX

Code	Art.	D	H	h	h1	d2	d	e	s	e2	s2	d1-0,02 -0,04	Q	g
W913010.0002	W913010.I05X0801CIN	22	48	17	15	M10x1	12	12	5	17	6	5	8	25
W913012.0002	W913012.I06X0901CIN	27	57	20	18	M12x1,5	14	14	6	19	7	6	9	41
W913016.0005	W913016.I08X1201CIN	33	72	26	23	M16x1,5	19	19	8	24	8	8	12	89
W913016.0001	W913016.I10X1201CIN	33	72	26	23	M16x1,5	19	19	8	24	8	10	12	89
W913020.0001	W913020.I12X1501CIN	33	84	33	30	M20x1,5	19	22	10	30	9	12	15	153

W802

STEEL INDEXING PLUNGER



Materials:

(3) Stainless steel spring (Aisi 301).

W802:

(2) Threaded high-resistance steel hexagon ring nut.

(1) Hardened high resistance steel plunger pin.

W802CIN:

(2) Threaded stainless steel hexagon ring nut (Aisi 303).

(1) Stainless steel plunger pin (Aisi 303).

Surface finish:

Smooth.

Colour:

W802: Black-oxide treated.

W802CIN: Natural.

ATTENTION:

> We recommend an H7 tolerance for the plunger stem bore.

Special Requests:

- None.

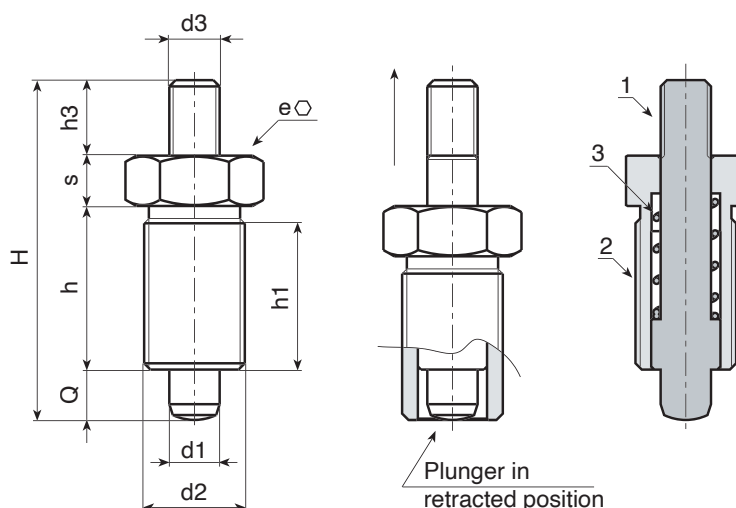
Note:

This plunger version can be coupled with any hanwheel with threaded insert, to be ordered separately (see additional pictures).



W802+F186

W802+H765



Version W802 - black-oxide treated steel

Code	Art.	H	h	h1	d2	d3	h3	e	s	d1 -0,02 -0,04	Q	g
W802.0005	W802.R05	33	17	15	M10x1	M04	6	12	5	5	5	13
W802010.0002	W802010.R05M05	33	17	15	M10x1	M05	6	12	5	5	5	13
W802.0006	W802.R06	42	20	18	M12x1,5	M05	10	14	6	6	6	22
W802012.0002	W802012.R06M06	42	20	18	M12x1,5	M06	10	14	6	6	6	22
W802.0007	W802.R08	54	26	23	M16x1,5	M08	12	19	8	8	8	54
W802.0008	W802.R10	65	33	30	M20x1,5	M10	12	22	10	10	10	104
W802020.0002	W802020.R10M08	65	33	30	M20x1,5	M08	12	22	10	10	10	104

Version W802 CIN - stainless steel (Aisi 303)



Code	Art.	H	h	h1	d2	d3	h3	e	s	d1 -0,02 -0,04	Q	g
W802.0001	W802.I05CIN	33	17	15	M10x1	M04	6	12	5	5	5	13
W802010.0001	W802010.I05M05CIN	33	17	15	M10x1	M05	6	12	5	5	5	13
W802.0002	W802.I06CIN	42	20	18	M12x1,5	M05	10	14	6	6	6	22
W802012.0001	W802012.I06M06CIN	42	20	18	M12x1,5	M06	10	14	6	6	6	22
W802.0003	W802.I08CIN	54	26	23	M16x1,5	M08	12	19	8	8	8	54
W802.0004	W802.I10CIN	65	33	30	M20x1,5	M10	12	22	10	10	10	104
W802020.0001	W802020.I10M08CIN	65	33	30	M20x1,5	M08	12	22	10	10	10	104



W803



STEEL INDEXING PLUNGER WITH LOCK NUT

Materials:

(3) Stainless steel spring (Aisi 301).

W803:

(2) Threaded high-resistance steel hexagon ring nut.

(1) Hardened high resistance steel plunger pin.

(4) Threaded steel lock nut (UNI 5589).

W803CIN:

(2) Threaded stainless steel hexagon ring nut (Aisi 303).

(1) Stainless steel plunger pin (Aisi 303).

(4) Threaded stainless steel lock nut (Aisi 304) (UNI 5589).

Surface finish:

Smooth.

Colour:

W803: Black-oxide treated.

W803CIN: Natural.

ATTENTION:

- > We recommend an H7 tolerance for the plunger stem bore.
- > The nut is supplied assembled.

Special Requests:

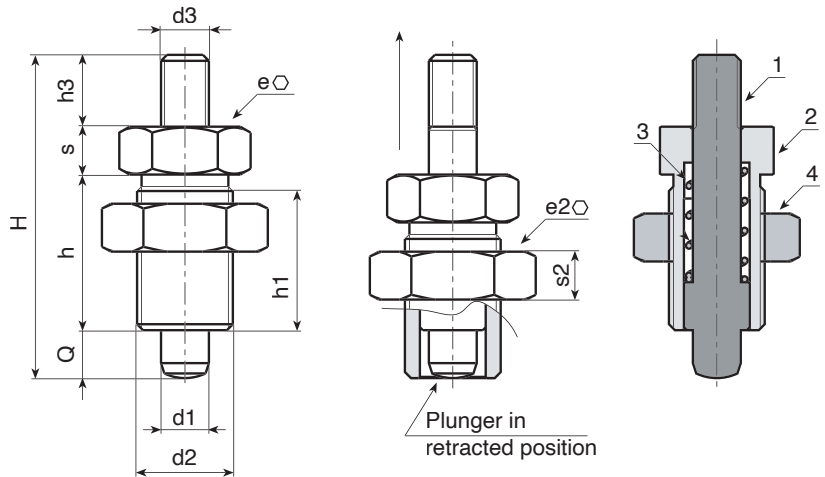
- On request the nut can be supplied disassembled.

Note:

This plunger version can be coupled with any hanwheel with threaded insert, to be ordered separately (see additional pictures).



W802+G730



Version W803 - black-oxide treated steel

Code	Art.	H	h	h1	d2	d3	h3	e	s	e2	s2	d1 -0,02 -0,04	Q	g
W803.0006	W803.R05	33	17	15	M10x1	M04	6	12	5	17	6	5	5	20
W803010.0002	W803010.R05M05	33	17	15	M10x1	M05	6	12	5	17	6	5	5	20
W803.0007	W803.R06	42	20	18	M12x1,5	M05	10	14	6	19	7	6	6	32
W803012.0002	W803012.R06M06	42	20	18	M12x1,5	M06	10	14	6	19	7	6	6	32
W803.0008	W803.R08	54	26	23	M16x1,5	M08	12	19	8	24	8	8	8	62
W803.0009	W803.R10	65	33	30	M20x1,5	M10	12	22	10	30	9	10	10	134
W803020.0001	W803020.R10M08	65	33	30	M20x1,5	M08	12	22	10	30	9	10	10	134

Version W803 CIN - stainless steel (Aisi 303)

Code	Art.	H	h	h1	d2	d3	h3	e	s	e2	s2	d1 -0,02 -0,04	Q	g
W803.0001	W803.I05CIN	33	17	15	M10x1	M04	6	12	5	17	6	5	5	20
W803010.0001	W803010.I05M05CIN	33	17	15	M10x1	M05	6	12	5	17	6	5	5	20
W803.0002	W803.I06CIN	42	20	18	M12x1,5	M05	10	14	6	19	7	6	6	32
W803012.0001	W803012.I06M06CIN	42	20	18	M12x1,5	M06	10	14	6	19	7	6	6	32
W803.0003	W803.I08CIN	54	26	23	M16x1,5	M08	12	19	8	24	8	8	8	62
W803.0004	W803.I10CIN	65	33	30	M20x1,5	M10	12	22	10	30	9	10	10	134
W803020.0002	W803020.I10M08CIN	65	33	30	M20x1,5	M08	12	22	10	30	9	10	10	134



W910

STEEL INDEXING PLUNGER WITH LONG NOSE PIN



Materials:

(3) Stainless steel spring (Aisi 301).

W910:

(2) Threaded high-resistance steel hexagon ring nut.

(1) Hardened high resistance steel plunger pin.

W910CIN:

(2) Threaded stainless steel hexagon ring nut (Aisi 303).

(1) Stainless steel plunger pin (Aisi 303).

Surface finish:

Smooth.

Colour:

W910: Black-oxide treated.

W910CIN: Natural.

ATTENTION:

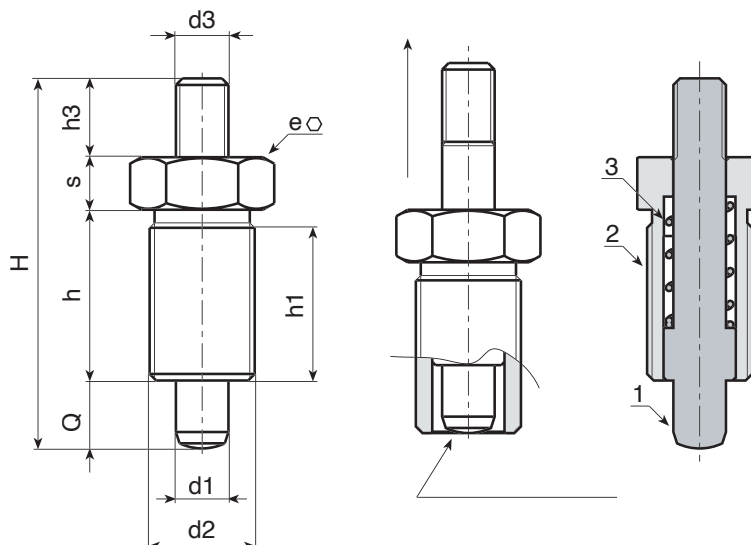
> We recommend an H7 tolerance for the plunger stem bore.

Special Requests:

- None.

Note:

This plunger version can be coupled with any hanwheel with threaded insert, to be ordered separately (see additional pictures).



Version W910 - black-oxide treated steel

Code	Art.	H	h	h1	d2	d3	h3	e	s	d1 -0,02 -0,04	Q	
W910010.0001	W910010.Q05X08	36	17	15	M10x1	M04	6	12	5	5	8	13
W910012.0002	W910012.Q06X09	45	20	18	M12x1,5	M05	10	14	6	6	9	22
W910016.0003	W910016.Q08X12	58	26	23	M16x1,5	M08	12	19	8	8	12	54
W910016.0004	W910016.Q10X12	58	26	23	M16x1,5	M08	12	19	8	10	12	55
W910020.0002	W910020.Q12X15	70	33	30	M20x1,5	M10	12	22	10	12	15	104

Version W910 CIN - stainless steel (Aisi 303)

INOX

Code	Art.	H	h	h1	d2	d3	h3	e	s	d1 -0,02 -0,04	Q	
W910010.0002	W910010.I05X08CIN	36	17	15	M10x1	M04	6	12	5	5	8	13
W910012.0001	W910012.I06X09CIN	45	20	18	M12x1,5	M05	10	14	6	6	9	22
W910016.0001	W910016.I08X12CIN	58	26	23	M16x1,5	M08	12	19	8	8	12	54
W910016.0002	W910016.I10X12CIN	58	26	23	M16x1,5	M08	12	19	8	10	12	55
W910020.0001	W910020.I12X15CIN	70	33	30	M20x1,5	M10	12	22	10	12	15	104

W911



STEEL INDEXING PLUNGER WITH LONG NOSE PIN AND LOCK NUT

Materials:

(3) Stainless steel spring (Aisi 301).

W911:

(2) Threaded high-resistance steel hexagon ring nut.

(1) Hardened high resistance steel plunger pin.

(4) Threaded steel lock nut (UNI 5589).

W911CIN:

(2) Threaded stainless steel hexagon ring nut (Aisi 303).

(1) Stainless steel plunger pin (Aisi 303).

(4) Threaded stainless steel lock nut (Aisi 304) (UNI 5589).

Surface finish:

Smooth.

Colour:

W911: Black-oxide treated.

W911CIN: Natural.

ATTENTION:

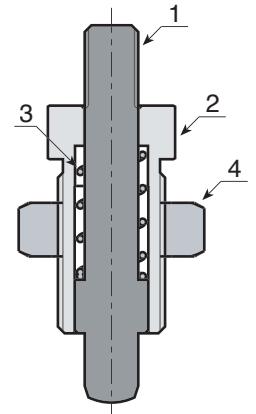
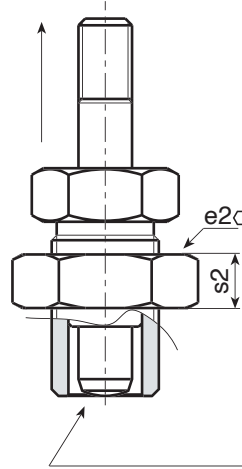
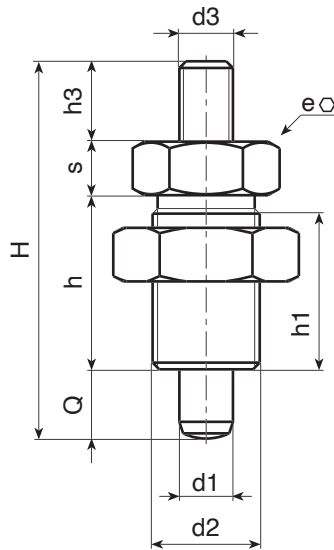
- > We recommend an H7 tolerance for the plunger stem bore.
- > The nut is supplied assembled.

Special Requests:

- On request the nut can be supplied disassembled.

Note:

This plunger version can be coupled with any hanwheel with threaded insert, to be ordered separately (see additional pictures).



Version W911 - black-oxide treated steel

Code	Art.	H	h	h1	d2	d3	h3	e	s	e2	s2	d1 -0,02 -0,04	Q	g
W911010.0001	W911010.Q05X08	36	17	15	M10x1	M04	6	12	5	17	6	5	8	20
W911012.0001	W911012.Q06X09	45	20	18	M12x1,5	M05	10	14	6	19	7	6	9	32
W911016.0001	W911016.Q08X12	58	26	23	M16x1,5	M08	12	19	8	24	8	8	12	62
W911016.0002	W911016.Q10X12	58	26	23	M16x1,5	M08	12	19	8	24	8	10	12	63
W911020.0001	W911020.Q12X15	70	33	30	M20x1,5	M10	12	22	10	30	9	12	15	134

Version W911 CIN - stainless steel (Aisi 303)

INOX

Code	Art.	H	h	h1	d2	d3	h3	e	s	e2	s2	d1 -0,02 -0,04	Q	g
W911010.0002	W911010.I05X08CIN	36	17	15	M10x1	M04	6	12	5	17	6	5	8	20
W911012.0002	W911012.I06X09CIN	45	20	18	M12x1,5	M05	10	14	6	19	7	6	9	32
W911016.0003	W911016.I08X12CIN	58	26	23	M16x1,5	M08	12	19	8	24	8	8	12	62
W911016.0004	W911016.I10X12CIN	58	26	23	M16x1,5	M08	12	19	8	24	8	10	12	63
W911020.0002	W911020.I12X15CIN	70	33	30	M20x1,5	M10	12	22	10	30	9	12	15	134

W804



KNOB WITH STEEL INDEXING PLUNGER WITHOUT RING NUT

Materials:

- (3) Stainless steel spring (Aisi 301).
- (4) Reinforced polyamide lobed knob. Cannot be disassembled. Resistant to oils and greases.

W804:

- (2) Threaded high-resistance steel body with seat for key.
- (1) Hardened high resistance steel plunger pin.

W804CIN:

- (2) Threaded stainless steel body (Aisi 303), with seat for key.
- (1) Stainless steel plunger pin (Aisi 303).

Surface finish:

- (4) Satin.
- (1-2) Smooth.

Colour:

- (4) Black (RAL 9011).

W804:

- (1-2) Black-oxide treated.

W804CIN:

- (1-2) Natural.

Locking key:

Upon request the locking key with article code W807 is available.

ATTENTION:

> We recommend an H7 tolerance for the plunger stem bore.

Special Requests:

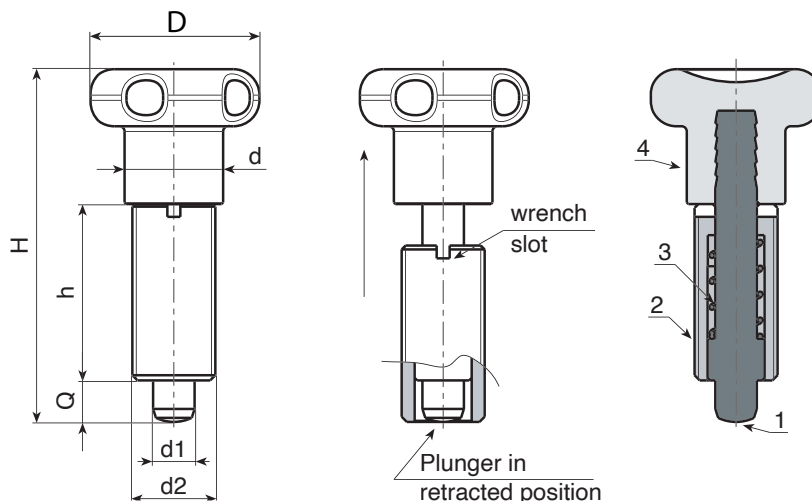
- On request and for special quantities the knob can be supplied in the colours indicated in the table [page 959].
- Upon request locking keys are available.



W807



W805+W807



Version W804 - black-oxide treated steel

Code	Art.	D	H	h	d2	d	d1 -0,02 -0,04	Q	g	Key
W804.0005	W804.Q0501	22	45	22	M10x1	12	5	5	16	W807.05
W804.0006	W804.Q0601	27	54	26	M12x1,5	14	6	6	28	W807.06
W804.0007	W804.Q0801	33	68	34	M16x1,5	19	8	8	64	W807.08
W804.0008	W804.Q1001	33	79	43	M20x1,5	19	10	10	113	W807.10

Version W804 CIN - stainless steel (Aisi 303)

INOX

Code	Art.	D	H	h	d2	d	d1 -0,02 -0,04	Q	g	Key
W804.0001	W804.I0501CIN	22	45	22	M10x1	12	5	5	16	W807.05
W804.0002	W804.I0601CIN	27	54	26	M12x1,5	14	6	6	28	W807.06
W804.0003	W804.I0801CIN	33	68	34	M16x1,5	19	8	8	64	W807.08
W804.0004	W804.I1001CIN	33	79	43	M20x1,5	19	10	10	113	W807.10

W805



KNOB WITH STEEL INDEXING PLUNGER WITHOUT RING NUT - WITH LOCK NUT

Materials:

- (3) Stainless steel spring (Aisi 301).
- (4) Reinforced polyamide lobed knob. Cannot be disassembled. Resistant to oils and greases.

W805:

- (2) Threaded high-resistance steel body with seat for key.
- (1) Hardened high resistance steel plunger pin.
- (5) Threaded steel lock nut (UNI 5589).

W805CIN:

- (2) Threaded stainless steel body (Aisi 303), with seat for key.
- (1) Stainless steel plunger pin (Aisi 303).
- (5) Threaded stainless steel lock nut (Aisi 304) (UNI 5589).

Surface finish:

- (4) Satin.
- (1-2-5) Smooth.

Colour:

- (4) Black (RAL 9011).

W805:

- (1-2) Black-oxide treated.

W805CIN:

- (1-2) Natural.

Locking key:

Upon request the locking key with article code W807 is available.

ATTENTION:

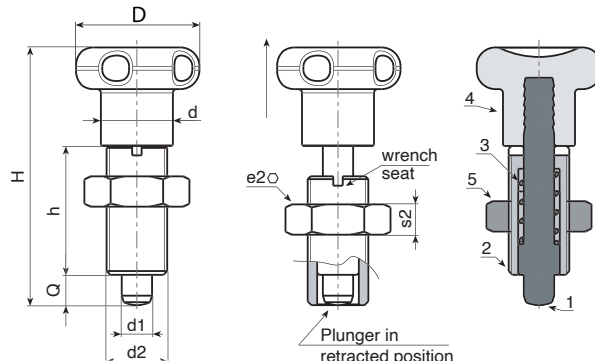
- > We recommend an H7 tolerance for the plunger stem bore.
- > The nut is supplied assembled.

Special Requests:

- On request and for special quantities the knob can be supplied in the colours indicated in the table [page 959].
- Upon request locking keys are available.
- On request the nut can be supplied disassembled.



W805+W807



Version W805 - black-oxide treated steel

Code	Art.	D	H	h	d2	d	e2	s2	d1 -0,02 -0,04	Q	g	Key
W805.0006	W805.Q0501	22	45	22	M10x1	12	17	6	5	5	23	W807.05
W805.0008	W805.Q0601	27	54	26	M12x1,5	14	19	7	6	6	38	W807.06
W805.0009	W805.Q0801	33	68	34	M16x1,5	19	24	8	8	8	82	W807.08
W805.0011	W805.Q1001	33	79	43	M20x1,5	19	30	9	10	10	133	W807.10

Version W805 CIN - stainless steel (Aisi 303)



Code	Art.	D	H	h	d2	d	e2	s2	d1 -0,02 -0,04	Q	g	Key
W805.0001	W805.I0501CIN	22	45	22	M10x1	12	17	6	5	5	23	W807.05
W805.0002	W805.I0601CIN	27	54	26	M12x1,5	14	19	7	6	6	38	W807.06
W805.0003	W805.I0801CIN	33	68	34	M16x1,5	19	24	8	8	8	82	W807.08
W805.0005	W805.I1001CIN	33	79	43	M20x1,5	19	30	9	10	10	133	W807.10

W810



KNOB WITH LOCKING STEEL INDEXING PLUNGER

Materials:

- (3) Stainless steel spring (Aisi 301).
- (4) Reinforced polyamide lobed knob. Cannot be disassembled. Resistant to oils and greases.

W810:

- (2) Threaded high-resistance steel hexagon ring nut.
- (1) Hardened high resistance steel plunger pin.

W810CIN:

- (2) Threaded stainless steel hexagon ring nut (Aisi 303).
- (1) Stainless steel plunger pin (Aisi 303).

Surface finish:

- (4) Satin.
- (1-2) Smooth.

Colour:

- (4) Black (RAL 9011).

W810:

- (1-2) Black-oxide treated.

W810 CIN:

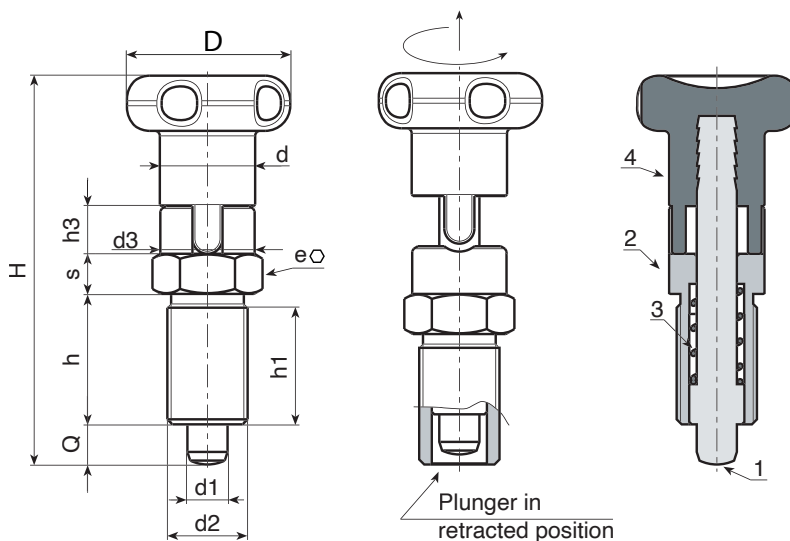
- (1-2) Natural.

ATTENTION:

> We recommend an H7 tolerance for the plunger stem bore.

Special Requests:

- On request and for special quantities the knob can be supplied in the colours indicated in the table [page 959].



Version W810 - black-oxide treated steel

Code	Art.	D	H	h	h1	h3	d3	d2	d	e	s	d1 -0,02 -0,04	Q	g
W810.0005	W810.Q0501	22	51.5	17	15	6.5	11.8	M10x1	12	12	5	5	5	22
W810.0006	W810.Q0601	27	61.5	20	18	7.5	13.8	M12x1,5	14	14	6	6	6	37
W810.0007	W810.Q0801	33	77.5	26	23	9.5	18.8	M16x1,5	19	19	8	8	8	87
W810.0008	W810.Q1001	33	90.5	33	30	11.5	18.8	M20x1,5	19	22	10	10	10	142

Version W810 CIN - stainless steel (Aisi 303)

Code	Art.	D	H	h	h1	h3	d3	d2	d	e	s	d1 -0,02 -0,04	Q	g
W810.0001	W810.I0501CIN	22	51.5	17	15	6.5	11.8	M10x1	12	12	5	5	5	22
W810.0002	W810.I0601CIN	27	61.5	20	18	7.5	13.8	M12x1,5	14	14	6	6	6	37
W810.0003	W810.I0801CIN	33	77.5	26	23	9.5	18.8	M16x1,5	19	19	8	8	8	87
W810.0004	W810.I1001CIN	33	90.5	33	30	11.5	18.8	M20x1,5	19	22	10	10	10	142

INOX

W811



PA6
+G.F.

Aisi
303

C40

UL94
HB



KNOB WITH LOCKING STEEL INDEXING PLUNGER - WITH LOCK NUT

Materials:

- (3) Stainless steel spring (Aisi 301).
- (4) Reinforced polyamide lobed knob. Cannot be disassembled. Resistant to oils and greases.

W811:

- (2) Threaded high-resistance steel hexagon ring nut.
- (1) Hardened high resistance steel plunger pin.
- (5) Threaded steel lock nut (UNI 5589).

W811 CIN:

- (2) Threaded stainless steel hexagon ring nut (Aisi 303).
- (1) Stainless steel plunger pin (Aisi 303).
- (5) Threaded stainless steel lock nut (Aisi 304) (UNI 5589).

Surface finish:

- (4) Satin.
- (1-2-5) Smooth.

Colour:

- (4) Black (RAL 9011).

W811:

- (1-2-5) Black-oxide treated.

W811 CIN:

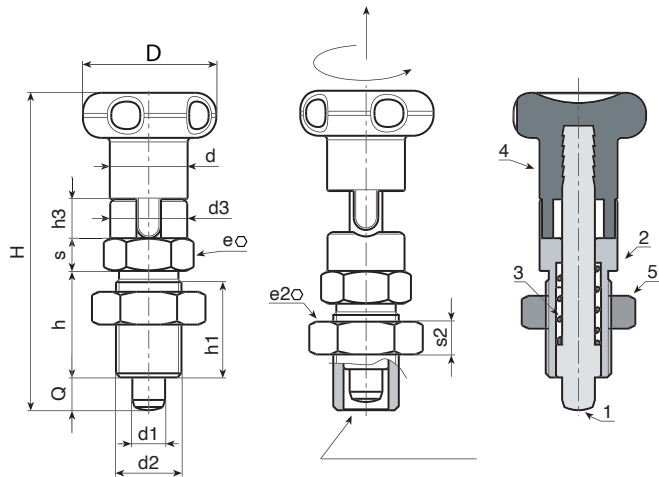
- (1-2-5) Natural.

ATTENTION:

- > We recommend an H7 tolerance for the plunger stem bore.
- > The nut is supplied assembled.

Special Requests:

- On request and for special quantities the knob can be supplied in the colours indicated in the table [page 959].
- On request the nut can be supplied disassembled.



Version W811 - black-oxide treated steel

Code	Art.	D	H	h	h1	h3	d3	d2	d	e	s	e2	s2	d1 -0,02 -0,04	Q	g
W811.0006	W811.Q0501	22	51.5	17	15	6.5	11.8	M10x1	12	12	5	17	6	5	5	29
W811.0007	W811.Q0601	27	61.5	20	18	7.5	13.8	M12x1,5	14	14	6	19	7	6	6	47
W811.0008	W811.Q0801	33	77.5	26	23	9.5	18.8	M16x1,5	19	19	8	24	8	8	8	105
W811.0009	W811.Q1001	33	90.5	33	30	11.5	18.8	M20x1,5	19	22	10	30	9	10	10	172

Version W811 CIN - stainless steel (Aisi 303)

INOX

Code	Art.	D	H	h	h1	h3	d3	d2	d	e	s	e2	s2	d1 -0,02 -0,04	Q	g
W811.0001	W811.I0501CIN	22	51.5	17	15	6.5	11.8	M10x1	12	12	5	17	6	5	5	29
W811.0002	W811.I0601CIN	27	61.5	20	18	7.5	13.8	M12x1,5	14	14	6	19	7	6	6	47
W811.0003	W811.I0801CIN	33	77.5	26	23	9.5	18.8	M16x1,5	19	19	8	24	8	8	8	105
W811.0004	W811.I1001CIN	33	90.5	33	30	11.5	18.8	M20x1,5	19	22	10	30	9	10	10	172



W815

LEVER LOCKING STEEL INDEXING PLUNGER



Materials:

(3) Lever in die-cast zamak.

W815:

- (1) Hardened high resistance steel plunger pin.
- (2) Threaded turned high-resistance steel body with seat for locking position.
- (5) Galvanised steel spring.

W815CIN:

- (1) Stainless steel plunger pin (Aisi 303).
- (2) Threaded turned high-resistance stainless steel body (Aisi 303) with seat for locking position.
- (5) Stainless steel spring (Aisi 301).

Surface finish:

- (3) Satin.
- (1-2) Smooth.

Colour:

(3) Epoxy powder coated, black (RAL 9011).

W815: (1-2) Black-oxide treated.

W815CIN: (1-2) Natural.

ATTENTION:

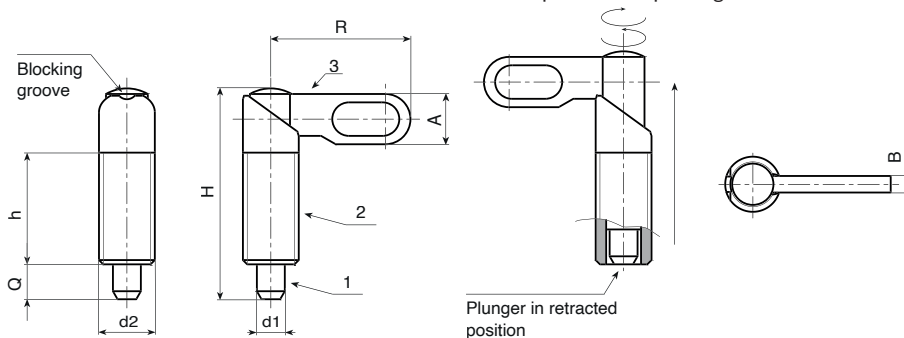
> We recommend an H7 tolerance for the plunger stem bore.

Special Requests:

- Upon request and for special quantities the plunger thread can be supplied with standard coarse pitch.



To lock the plunger in retracted position turn the lever by 180° and raise it until it snaps into the special groove.



Version W815 - black-oxide treated steel

Code	Art.	R	H	h	A	B	d2	d1 -0,02 -0,04	Q	g
W81510.0004	W81510.V04	25	38	20	9	3	M10x1	4	6	18
W81510.0005	W81510.V05	25	38	20	9	3	M10x1	5	6	19
W81510.0006	W81510.V06	25	38	20	9	3	M10x1	6	6	21
W81512.0004	W81512.V05	30	47	25	11	3,5	M12X1,5	5	8	30
W81512.0005	W81512.V06	30	47	25	11	3,5	M12X1,5	6	8	30
W81512.0006	W81512.V08	30	47	25	11	3,5	M12X1,5	8	8	33
W81516.0004	W81516.V06	40	60,5	32	14,5	5	M16x1,5	6	10	73
W81516.0005	W81516.V08	40	60,5	32	14,5	5	M16x1,5	8	10	75
W81516.0006	W81516.V10	40	60,5	32	14,5	5	M16x1,5	10	10	77
W81520.0004	W81520.V08	50	70	35	18	6	M20x1,5	8	12	137
W81520.0005	W81520.V10	50	70	35	18	6	M20x1,5	10	12	173
W81520.0006	W81520.V12	50	70	35	18	6	M20x1,5	12	12	143

Version W815 CIN - stainless steel (Aisi 303)



Code	Art.	R	H	h	A	B	d2	d1 -0,02 -0,04	Q	g
W81510.0001	W81510.I04CIN	25	38	20	9	3	M10x1	4	6	18
W81510.0002	W81510.I05CIN	25	38	20	9	3	M10x1	5	6	19
W81510.0003	W81510.I06CIN	25	38	20	9	3	M10x1	6	6	21
W81512.0001	W81512.I05CIN	30	47	25	11	3,5	M12X1,5	5	8	30
W81512.0002	W81512.I06CIN	30	47	25	11	3,5	M12X1,5	6	8	30
W81512.0003	W81512.I08CIN	30	47	25	11	3,5	M12X1,5	8	8	33
W81516.0001	W81516.I06CIN	40	60,5	32	14,5	5	M16x1,5	6	10	73
W81516.0002	W81516.I08CIN	40	60,5	32	14,5	5	M16x1,5	8	10	75
W81516.0003	W81516.I10CIN	40	60,5	32	14,5	5	M16x1,5	10	10	77
W81520.0001	W81520.I08CIN	50	70	35	18	6	M20x1,5	8	12	137
W81520.0002	W81520.I10CIN	50	70	35	18	6	M20x1,5	10	12	142
W81520.0003	W81520.I12CIN	50	70	35	18	6	M20x1,5	12	12	143

W816



Aisi 303

C40



LEVER LOCKING STEEL INDEXING PLUNGER - WITH NUT

Materials:

(3) Lever in die-cast zamak.

W816:

- (1) Hardened high resistance steel plunger pin.
- (2) Threaded turned high-resistance steel body with seat for locking position.
- (4) Threaded steel lock nut (UNI 5589).
- (5) Galvanised steel spring.

W816CIN:

- (1) Stainless steel plunger pin (Aisi 303).
- (2) Threaded turned high-resistance stainless steel body (Aisi 303) with seat for locking position.
- (4) Threaded stainless steel lock nut (Aisi 304) (UNI 5589).
- (5) Stainless steel spring (Aisi 301).

Surface finish:

- (3) Satin.
- (1-2-4) Smooth.

Colour:

(3) Epoxy powder coated, black (RAL 9011).

W816: (1-2-4) Black-oxide treated.

W816CIN: (1-2-4) Natural.

ATTENTION:

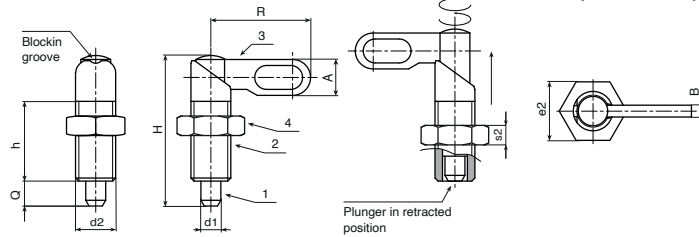
- > We recommend an H7 tolerance for the plunger stem bore.
- > The nut is supplied assembled.

Special Requests:

- Upon request and for special quantities the plunger thread can be supplied with standard coarse pitch.
- On request the nut can be supplied disassembled.



To lock the plunger in retracted position turn the lever by 180° and raise it until it snaps into the special groove.



Version W816 - black-oxide treated steel

Code	Art.	R	H	h	A	B	d2	e2	s2	d1 -0,02 -0,04	Q	g
W81610.0004	W81610.V04	25	38	20	9	3	M10x1	17	6	4	6	25
W81610.0005	W81610.V05	25	38	20	9	3	M10x1	17	6	5	6	26
W81610.0006	W81610.V06	25	38	20	9	3	M10x1	17	6	6	6	28
W81612.0005	W81612.V05	30	47	25	11	3.5	M12X1,5	19	7	5	8	40
W81612.0006	W81612.V06	30	47	25	11	3.5	M12X1,5	19	7	6	8	40
W81612.0008	W81612.V08	30	47	25	11	3.5	M12X1,5	19	7	8	8	43
W81616.0004	W81616.V06	40	60,5	32	14,5	5	M16x1,5	24	8	6	10	91
W81616.0005	W81616.V08	40	60,5	32	14,5	5	M16x1,5	24	8	8	10	93
W81616.0006	W81616.V10	40	60,5	32	14,5	5	M16x1,5	24	8	10	10	95
W81620.0004	W81620.V08	50	70	35	18	6	M20x1,5	30	9	8	12	168
W81620.0005	W81620.V10	50	70	35	18	6	M20x1,5	30	9	10	12	173
W81620.0006	W81620.V12	50	70	35	18	6	M20x1,5	30	9	12	12	174

Version W816 CIN - stainless steel (Aisi 303)



Code	Art.	R	H	h	A	B	d2	e2	s2	d1 -0,02 -0,04	Q	g
W81610.0001	W81610.I04CIN	25	38	20	9	3	M10x1	17	6	4	6	25
W81610.0002	W81610.I05CIN	25	38	20	9	3	M10x1	17	6	5	6	26
W81610.0003	W81610.I06CIN	25	38	20	9	3	M10x1	17	6	6	6	28
W81612.0001	W81612.I05CIN	30	47	25	11	3.5	M12X1,5	19	7	5	8	40
W81612.0002	W81612.I06CIN	30	47	25	11	3.5	M12X1,5	19	7	6	8	40
W81612.0003	W81612.I08CIN	30	47	25	11	3.5	M12X1,5	19	7	8	8	43
W81616.0001	W81616.I06CIN	40	60,5	32	14,5	5	M16x1,5	24	8	6	10	91
W81616.0002	W81616.I08CIN	40	60,5	32	14,5	5	M16x1,5	24	8	8	10	93
W81616.0003	W81616.I10CIN	40	60,5	32	14,5	5	M16x1,5	24	8	10	10	95
W81620.0001	W81620.I08CIN	50	70	35	18	6	M20x1,5	30	9	8	12	168
W81620.0002	W81620.I10CIN	50	70	35	18	6	M20x1,5	30	9	10	12	173
W81620.0003	W81620.I12CIN	50	70	35	18	6	M20x1,5	30	9	12	12	174

W720CIN W721CIN



INOX

KNOB WITH FULL STAINLESS STEEL INDEXING PLUNGER WITH OR WITHOUT NUT

Materials:

- (1) Stainless steel plunger pin (Aisi 303).
- (2) Threaded stainless steel hexagon ring nut (Aisi 303).
- (3) Stainless steel spring (Aisi 301).
- (4) Turned stainless steel lobed knob (Aisi 303).

Version W721CIN:

- (6) Threaded stainless steel lock nut (Aisi 304) (UNI 5589).

Surface finish:

Satin.

Colour:

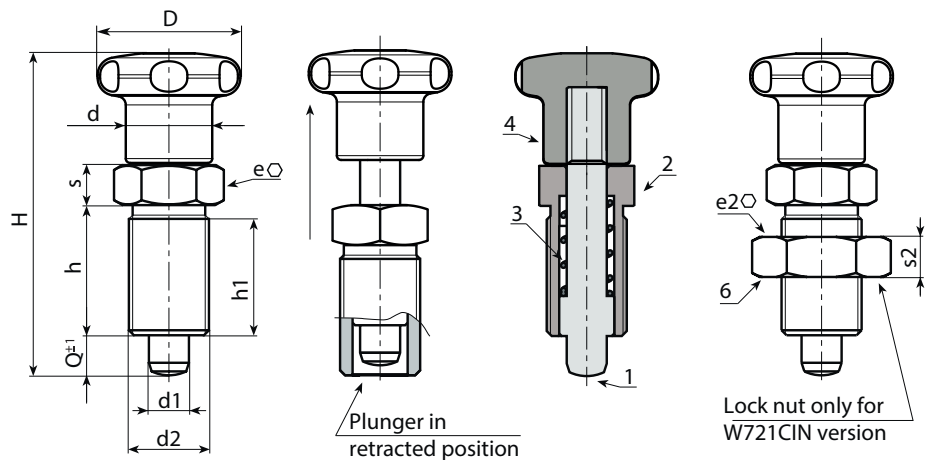
Natural.

ATTENTION:

- > We recommend an H7 tolerance for the plunger stem bore.
- > Nut supplied assembled (only for version W721CIN).

Special Requests:

- Upon request and for special quantities the plunger can be supplied completely disassembled.
- On request the nut can be supplied disassembled.



Version W721CIN - with nut

Code	Art.	D	H	h	h1	d2	d	e	s	e2	s2	d1 -0,02 -0,04	Q	g
W721.0001	W721.I0501CIN	22	45	17	15	M10x1	12	12	5	17	6	5	5	-
W721.0002	W721.I0601CIN	27	54	20	18	M12x1,5	14	14	6	19	7	6	6	-
W721.0003	W721.I0801CIN	32	67	26	23	M16x1,5	19	19	8	24	8	8	8	-
W721.0004	W721.I1001CIN	32	79	33	30	M20x1,5	20	22	10	30	9	10	10	220

Version W720CIN - without nut

Code	Art.	D	H	h	h1	d2	d	e	s	d1 -0,02 -0,04	Q	g
W720.0001	W720.I0501CIN	22	45	17	15	M10x1	12	12	5	5	5	-
W720.0002	W720.I0601CIN	27	54	20	18	M12x1,5	14	14	6	6	6	-
W720.0003	W720.I0801CIN	32	67	26	23	M16x1,5	19	19	8	8	8	-
W720.0004	W720.I1001CIN	32	79	33	30	M20x1,5	20	22	10	10	10	190



W722CIN W723CIN



KNOB WITH LOCKING FULL STAINLESS STEEL INDEXING PLUNGER - WITH OR WITHOUT NUT

Materials:

- (1) Stainless steel plunger pin (Aisi 303).
- (2) Threaded stainless steel hexagon ring nut (Aisi 303).
- (3) Stainless steel spring (Aisi 301).
- (4) Turned stainless steel lobed knob (Aisi 303).
- (6) Threaded stainless steel lock nut (Aisi 304) (UNI 5589) (only for version W723CIN).

Surface finish:

Satin.

Colour:

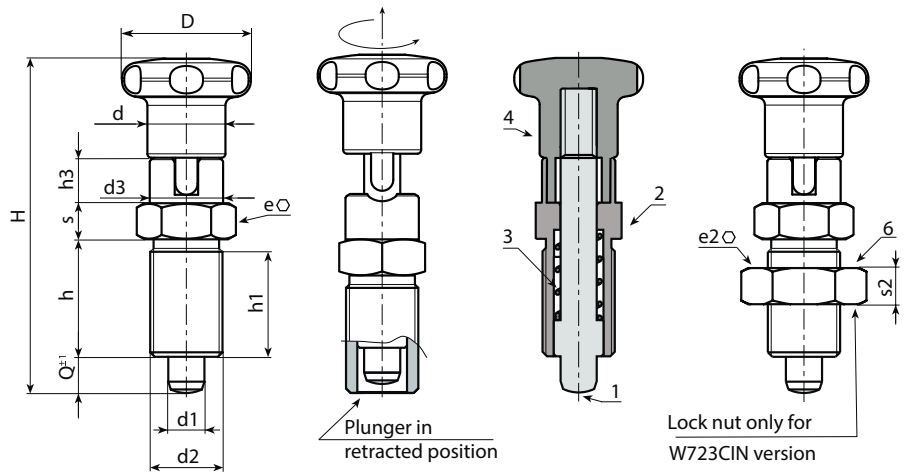
Natural.

ATTENTION:

- > We recommend an H7 tolerance for the plunger stem bore.
- > Nut supplied assembled (only for version W723CIN).

Special Requests:

- Upon request and for special quantities the plunger can be supplied completely disassembled.
- On request the nut can be supplied disassembled.



Version W722 CIN - without nut

Code	Art.	D	H	h	h1	h3	d2	d	d3	e	s	d1 -0,02 -0,04	Q	g
W722.0001	W722.I0501CIN	22	52	17	15	6.5	M10x1	12	12	12	5	5	5	-
W722.0002	W722.I0601CIN	27	61	20	18	7.5	M12x1,5	14	14	14	6	6	6	-
W722.0004	W722.I0801CIN	32	77	26	23	9.5	M16x1,5	19	19	19	8	8	8	-
W722.0005	W722.I1001CIN	33	90	33	30	11.5	M20x1,5	19	19	22	10	10	10	210

Version W723 CIN - with nut

Code	Art.	D	H	h	h1	h3	d3	d2	d	e	s	e2	s2	d1 -0,02 -0,04	Q	g
W723.0001	W723.I0501CIN	22	52	17	15	6.5	12	M10x1	12	12	5	17	6	5	5	-
W723.0002	W723.I0601CIN	27	61	20	18	7.5	14	M12x1,5	14	14	6	19	7	6	6	-
W723.0004	W723.I0801CIN	32	77	26	23	9.5	19	M16x1,5	19	19	8	24	8	8	8	-
W723.0005	W723.I1001CIN	33	90	33	30	11.5	19	M20x1,5	20	22	10	30	9	10	10	240

W735CIN W736CIN



INOX

KNOB WITH FULL STAINLESS STEEL INDEXING PLUNGER - WITH OR WITHOUT NUT

Materials:

- (1) Stainless steel plunger pin (Aisi 303).
- (2) Stainless steel (Aisi 303) indexing plunger body.
- (3) Stainless steel spring (Aisi 301).
- (4) Turned stainless steel lobed knob (Aisi 303).
- (5) Threaded stainless steel lock nut (Aisi 304) (UNI 5589) (only for version W736CIN).

Surface finish:

Satin.

Colour:

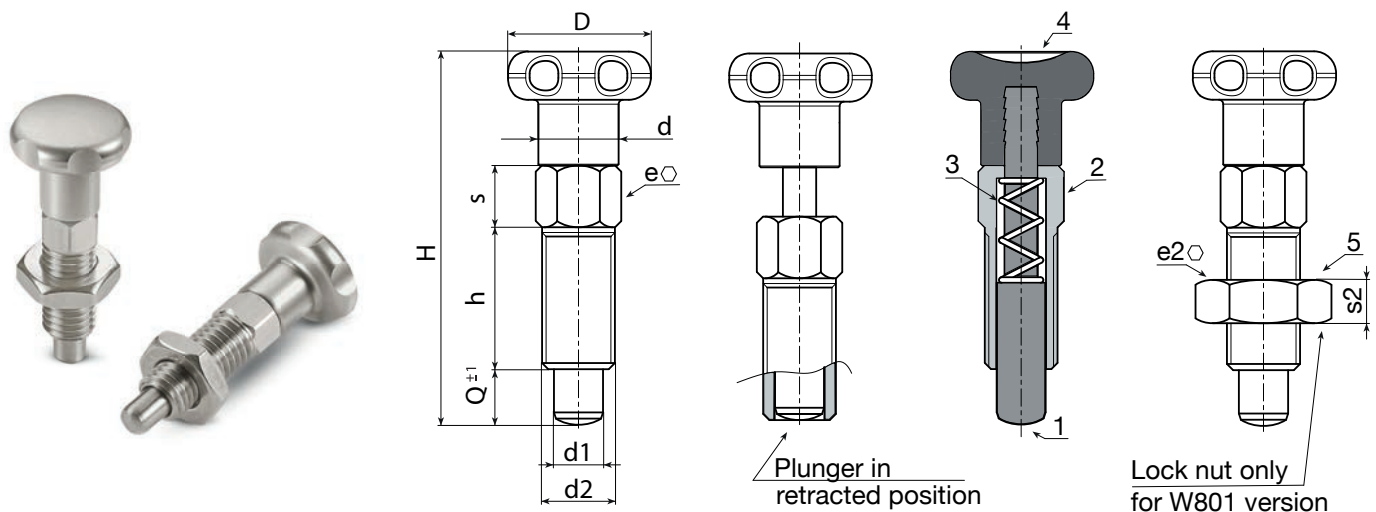
Natural.

ATTENTION:

- > We recommend an H7 tolerance for the plunger stem bore.
- > Nut supplied assembled (only for version W736CIN).

Special Requests:

- On request the plunger can be supplied completely disassembled.
- On request the nut can be supplied disassembled.



Version W735CIN - without nut

Code	Art.	D	d	H	h	e	s	d2	d1 -0,02 -0,04	Q	g
W735.0001	W735.I05CIN	18	9	42	16	8	6	M8	5	5	21
W735.0002	W735.I06CIN	22	11	52	20	10	7,5	M10	6	6	23
W735.0003	W735.I08CIN	24	13	61	24	12	9	M12	8	8	69

Version W736CIN - with nut

Code	Art.	D	d	H	h	e	s	d2	e2	s2	d1 -0,02 -0,04	Q	g
W736.0001	W736.I05CIN	18	9	42	16	8	6	M8	13	5	5	5	30
W736.0002	W736.I06CIN	22	11	52	20	10	7,5	M10	17	6	6	6	55
W736.0003	W736.I08CIN	24	13	61	24	12	9	M12	19	7	8	8	71

W737CIN W738CIN



INOX

KNOB WITH LOCKING FULL STAINLESS STEEL INDEXING PLUNGER - WITH OR WITHOUT NUT

Materials:

- (1) Stainless steel plunger pin (Aisi 303).
- (2) Stainless steel (Aisi 303) locking indexing plunger body.
- (3) Stainless steel spring (Aisi 301).
- (4) Turned stainless steel lobed knob (Aisi 303).
- (5) Threaded stainless steel lock nut (Aisi 304) (UNI 5589) (only for version W738CIN).

Surface finish:

Satin.

Colour:

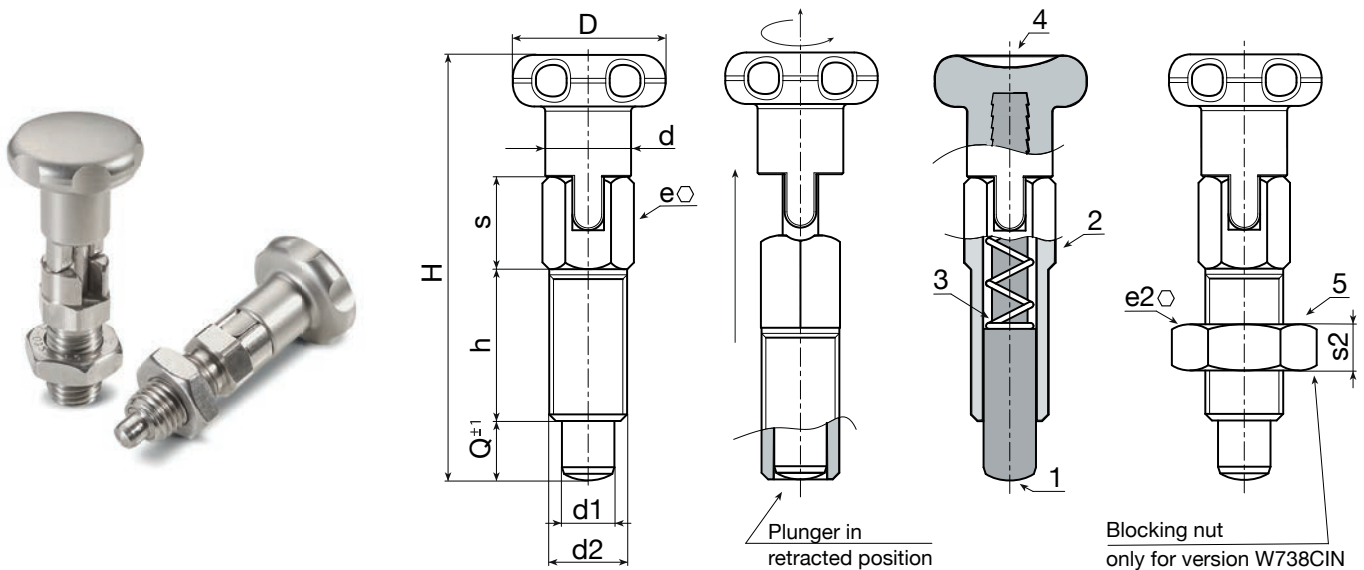
Natural.

ATTENTION:

- > We recommend an H7 tolerance for the plunger stem bore.
- > Nut supplied assembled (only for version W738CIN).

Special Requests:

- On request the plunger can be supplied completely disassembled.
- On request the nut can be supplied disassembled.



Version W737 - without nut

Code	Art.	D	d	H	h	e	s	d2	d1 -0,02 -0,04	Q	g
W737.0001	W737.I05CIN	18	9	46	16	8	10	M08	5	5	26
W737.0002	W737.I06CIN	22	11	55	20	10	11	M10	6	6	53
W737.0003	W737.I08CIN	24	13	66	24	12	14	M12	8	8	74

Version W738 CIN - with nut

Code	Art.	D	d	H	h	e	s	d2	e2	s2	d1 -0,02 -0,04	Q	g
W738.0001	W738.I05CIN	18	9	46	16	8	10	M08	13	5	5	5	26
W738.0002	W738.I06CIN	22	11	55	20	10	11	M10	17	6	6	6	71
W738.0003	W738.I08CIN	24	13	66	24	12	14	M12	19	7	8	8	110

W793

KNOB WITH LOCKING STEEL INDEXING PLUNGER



Materials:

- (1) Stainless steel plunger pin (Aisi 303).
- (4) Reinforced polyamide lobed knob. Cannot be disassembled. Resistant to oils and greases.

W793:

- (2) Locking indexing plunger body in free-cutting steel.
- (3) Galvanised steel spring.

W793 CIN:

- (2) Stainless steel (Aisi 303) locking indexing plunger body.
- (3) Stainless steel spring (Aisi 301).

Surface finish:

- (4) Satin.
- (1-2-3) Smooth.

Colour:

- (4) Black (RAL 9011).

W793:

- (2) Galvanised.

W793 CIN:

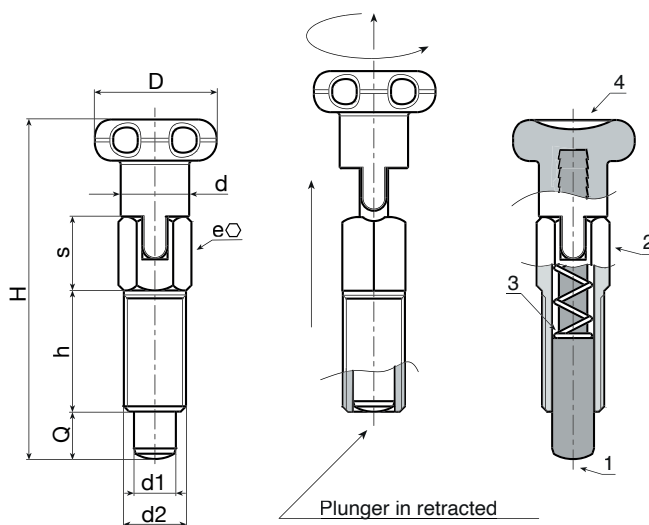
- (1-2) Natural.

ATTENTION:

- > We recommend an H7 tolerance for the plunger stem bore.

Special Requests:

- None.



22



Version W793 - galvanised steel

Code	Art.	D	d	H	h	e	s	d2	d1 -0,02 -0,04	Q	g
W793.0001	W793.J0401	14	7	36	12	6	8	M6	4	4	5
W793.0003	W793.J0501	18	9	46	16	8	10	M8	5	5	11
W793.0005	W793.J0601	22	11	55	20	10	11	M10	6	6	24
W793.0007	W793.J0801	21	12,5	64	20,5	12	14	M12	8	8	39

INOX

Version W793 CIN - stainless steel (Aisi 303)

Code	Art.	D	d	H	h	e	s	d2	d1 -0,02 -0,04	Q	g
W793.0002	W793.J0401CIN	14	7	36	12	6	8	M6	4	4	5
W793.0004	W793.J0501CIN	18	9	46	16	8	10	M8	5	5	11
W793.0006	W793.J0601CIN	22	11	55	20	10	11	M10	6	6	24
W793.0008	W793.J0801CIN	21	12,5	64	20,5	12	14	M12	8	8	39

W794



KNOB WITH LOCKING STEEL INDEXING PLUNGER - WITH NUT

Materials:

- (1) Stainless steel plunger pin (Aisi 303).
- (4) Reinforced polyamide lobed knob. Cannot be disassembled. Resistant to oils and greases.

W794:

- (2) Locking indexing plunger body in free-cutting steel.
- (3) Galvanised steel spring.
- (5) Threaded steel lock nut (UNI 5589).

W794 CIN:

- (2) Stainless steel (Aisi 303) locking indexing plunger body.
- (3) Stainless steel spring (Aisi 301).
- (5) Threaded stainless steel lock nut (Aisi 304) (UNI 5589).

Surface finish:

- (4) Satin.
- (1-2-5) Smooth.

Colour:

- (4) Black (RAL 9011).

W794:

- (2-5) Galvanised.

W794 CIN:

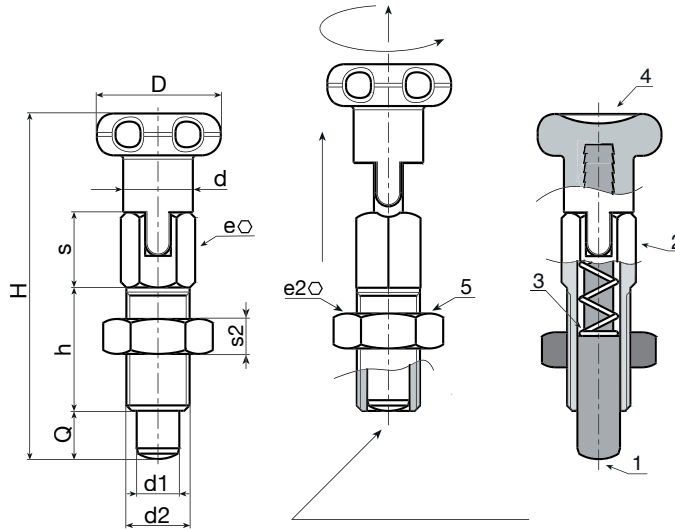
- (1-2-5) Natural.

ATTENTION:

- > We recommend an H7 tolerance for the plunger stem bore.
- > The nut is supplied assembled.

Special Requests:

- On request the nut can be supplied disassembled.



Version W794 - galvanised steel

Code	Art.	D	d	H	h	e	s	d2	e2	s2	d1 -0,02 -0,04	Q	g
W794.0001	W794.J0401	14	7	36	12	6	8	M6	10	4	4	4	7
W794.0003	W794.J0501	18	9	46	16	8	10	M8	13	5	5	5	16
W794.0005	W794.J0601	22	11	55	20	10	11	M10	17	6	6	6	32
W794.0007	W794.J0801	24	13	58	24	12	14	M12	19	7	8	8	51

Version W794 CIN - stainless steel (Aisi 303)

INOX

Code	Art.	D	d	H	h	e	s	d2	e2	s2	d1 -0,02 -0,04	Q	g
W794.0002	W794.J0401CIN	14	7	36	12	6	8	M6	10	4	4	4	7
W794.0004	W794.J0501CIN	18	9	46	16	8	10	M8	13	5	5	5	16
W794.0006	W794.J0601CIN	22	11	55	20	10	11	M10	17	6	6	6	32
W794.0008	W794.J0801CIN	24	13	58	24	12	14	M12	19	7	8	8	51

W795

KNOB WITH STEEL INDEXING PLUNGER



Materials:

- (1) Stainless steel plunger pin (Aisi 303).
- (4) Reinforced polyamide lobed knob. Cannot be disassembled. Resistant to oils and greases.

W795:

- (2) Indexing plunger body in free-cutting steel.
- (3) Galvanised steel spring.

W795 CIN:

- (2) Stainless steel (Aisi 303) indexing plunger body.
- (3) Stainless steel spring (Aisi 301).

Surface finish:

- (4) Satin.
- (1-2-3) Smooth.

Colour:

- (4) Black (RAL 9011).

W795:

- (2) Galvanised.

W795 CIN:

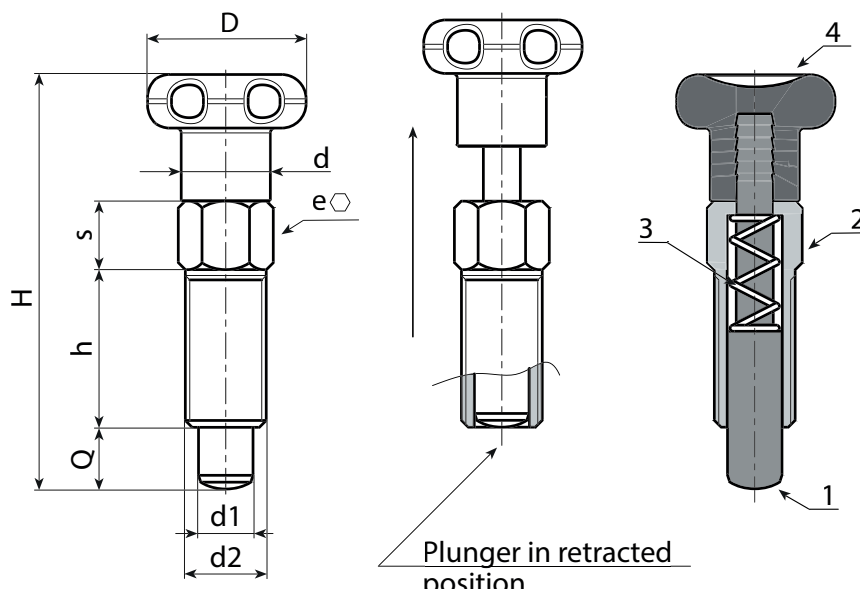
- (1-2) Natural.

ATTENTION:

- > We recommend an H7 tolerance for the plunger stem bore.

Special Requests:

- None.



Version W795 - galvanised steel

Code	Art.	D	d	H	h	e	s	d2	d1 -0,02 -0,04	Q	g
W795.0001	W795.J0401	14	7	33	12	6	5	M6	4	4	5
W795.0003	W795.J0501	18	9	42	16	8	6	M8	5	5	11
W795.0005	W795.J0601	22	11	52	20	10	7,5	M10	6	6	23
W795.0007	W795.J0801	24	13	61	24	12	9	M12	8	8	38

Version W795 CIN - stainless steel (Aisi 303)

Code	Art.	D	d	H	h	e	s	d2	d1 -0,02 -0,04	Q	g
W795.0002	W795.J0401CIN	14	7	33	12	6	5	M6	4	4	5
W795.0004	W795.J0501CIN	18	9	42	16	8	6	M8	5	5	11
W795.0006	W795.J0601CIN	22	11	52	20	10	7,5	M10	6	6	23
W795.0008	W795.J0801CIN	24	13	61	24	12	9	M12	8	8	38

INOX

W796

KNOB WITH STEEL INDEXING PLUNGER - WITH NUT



Materials:

- (1) Stainless steel plunger pin (Aisi 303).
- (4) Reinforced polyamide lobed knob. Cannot be disassembled. Resistant to oils and greases.

W796:

- (2) Indexing plunger body in free-cutting steel.
- (3) Galvanised steel spring.
- (5) Threaded steel lock nut (UNI 5589).

W796 CIN:

- (2) Stainless steel (Aisi 303) indexing plunger body.
- (3) Stainless steel spring (Aisi 301).
- (5) Threaded stainless steel lock nut (Aisi 304) (UNI 5589).

Surface finish:

- (4) Satin.
- (1-2-5) Smooth.

Colour:

- (4) Black (RAL 9011).

W796:

- (2-5) Galvanised.

W796 CIN:

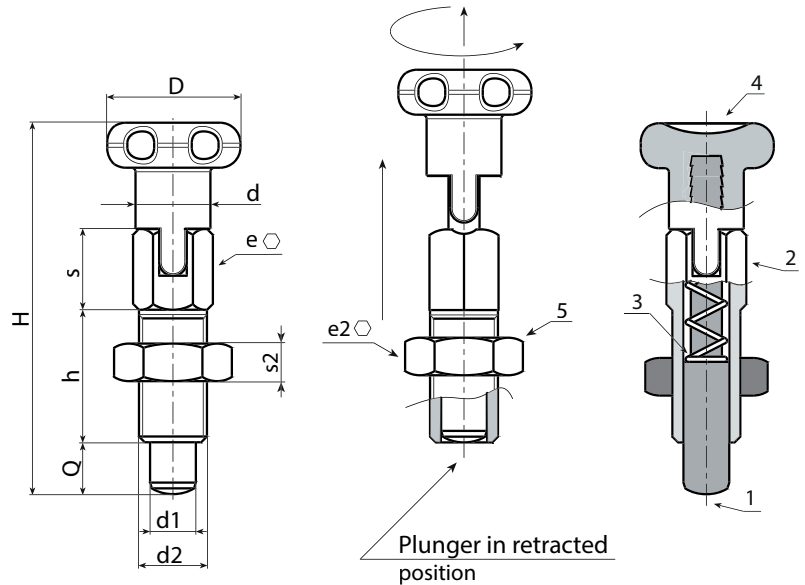
- (1-2-5) Natural.

ATTENTION:

- > We recommend an H7 tolerance for the plunger stem bore.
- > The nut is supplied assembled.

Special Requests:

- On request the nut can be supplied disassembled.



Version W796 - galvanised steel

Code	Art.	D	d	H	h	e	s	d2	e2	s2	d1 -0,02 -0,04	Q	g
W796.0001	W796.J0401	14	7	33	12	6	5	M6	10	4	4	4	5
W796.0003	W796.J0501	18	9	42	16	8	6	M8	13	5	5	5	11
W796.0005	W796.J0601	22	11	52	20	10	7,5	M10	17	6	6	6	23
W796.0007	W796.J0801	24	13	61	24	12	9	M12	19	7	8	8	38

Version W796 CIN - stainless steel (Aisi 303)

INOX

Code	Art.	D	d	H	h	e	s	d2	e2	s2	d1 -0,02 -0,04	Q	g
W796.0002	W796.J0401CIN	14	7	33	12	6	5	M6	10	4	4	4	5
W796.0004	W796.J0501CIN	18	9	42	16	8	6	M8	13	5	5	5	11
W796.0006	W796.J0601CIN	22	11	52	20	10	7,5	M10	17	6	6	6	23
W796.0008	W796.J0801CIN	24	13	61	24	12	9	M12	19	7	8	8	38

W797



STEEL INDEXING PLUNGER WITH RING

Materials:

- (1) Stainless steel plunger pin (Aisi 303).
- (4) Harmonic stainless steel spring ring.

W797:

- (2) Indexing plunger body in free-cutting steel.
- (3) Galvanised steel spring.

W797CIN:

- (2) Stainless steel (Aisi 303) indexing plunger body.
- (3) Stainless steel spring (Aisi 301).

Surface finish:

W797:

- (2) Galvanised.
- (4) Natural.

W797CIN:

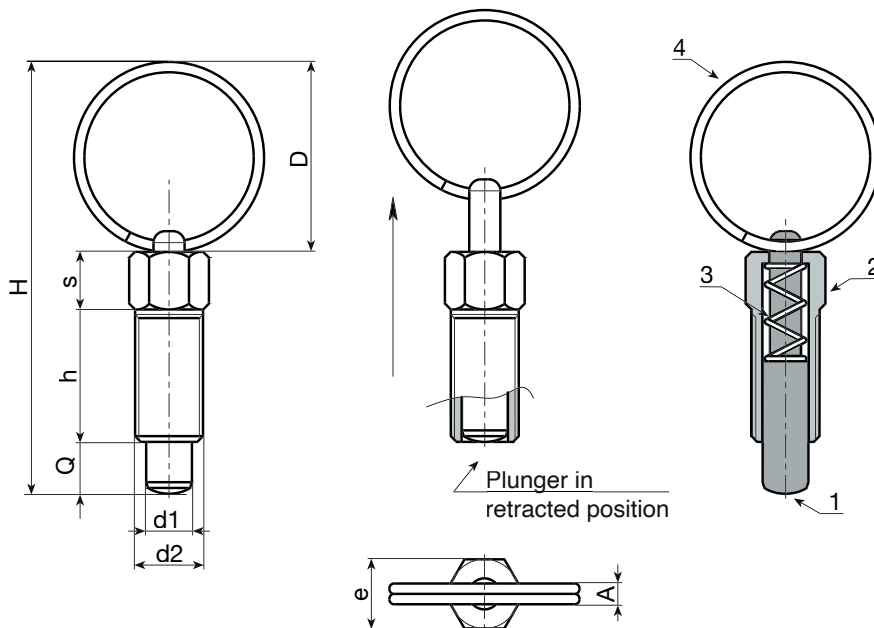
- (1-2-4) Natural.

ATTENTION:

> We recommend an H7 tolerance for the plunger stem bore.

Special Requests:

- None.



Version W797 - galvanised steel

Code	Art.	D	H	h	A	e	s	d2	d1 -0,02 -0,04	Q	g
W797.0001	W797.J04	15	35.5	12	2	6	4.5	M6	4	4	5
W797.0003	W797.J05	19	46	16	2.5	8	6	M8	5	5	11
W797.0005	W797.J06	27	60.5	20	3	10	7.5	M10	6	6	23
W797.0007	W797.J08	33	75	24	3.5	12	9	M12	8	8	38

Version W797 CIN - stainless steel (Aisi 303)



Code	Art.	D	H	h	A	e	s	d2	d1 -0,02 -0,04	Q	g
W797.0002	W797.J04CIN	15	35.5	12	2	6	4.5	M6	4	4	5
W797.0004	W797.J05CIN	19	46	16	2.5	8	6	M8	5	5	11
W797.0006	W797.J06CIN	27	60.5	20	3	10	7.5	M10	6	6	23
W797.0008	W797.J08CIN	33	75	24	3.5	12	9	M12	8	8	38



W798



STEEL INDEXING PLUNGER WITH RING - WITH NUT

Materials:

- (1) Stainless steel plunger pin (Aisi 303).
- (4) Harmonic stainless steel spring ring.

W798:

- (2) Indexing plunger body in free-cutting steel.
- (3) Galvanised steel spring.
- (5) Threaded steel lock nut (UNI 5589).

W798 CIN:

- (2) Stainless steel (Aisi 303) indexing plunger body.
- (3) Stainless steel spring (Aisi 301).
- (5) Threaded stainless steel lock nut (Aisi 304) (UNI 5589).

Surface finish:

W798:

- (2-5) Galvanised.
- (1-4) Natural.

W798 CIN:

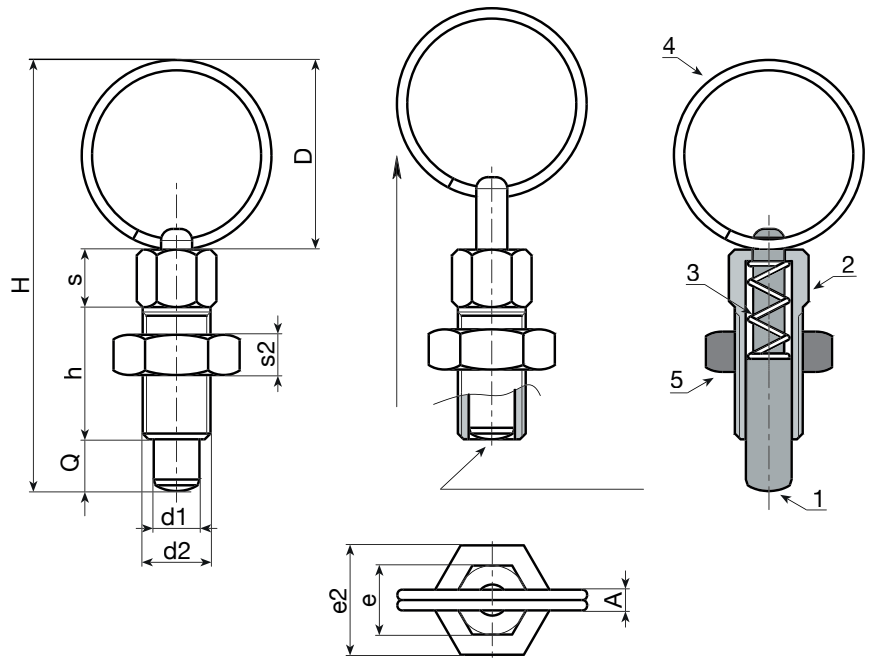
- (1-2-4-5) Natural.

ATTENTION:

- > We recommend an H7 tolerance for the plunger stem bore.
- > The nut is supplied assembled.

Special Requests:

- On request the nut can be supplied disassembled.



Version W798 - galvanised steel

Code	Art.	D	H	h	A	e	s	d2	e2	s2	d1-0,02 -0,04	Q	g
W798.0001	W798.J04	15	35.5	12	2	6	4.5	M6	10	4	4	4	7
W798.0003	W798.J05	19	46	16	2.5	8	6	M8	13	5	5	5	16
W798.0005	W798.J06	27	60.5	20	3	10	7.5	M10	17	6	6	6	31
W798.0007	W798.J08	33	75	24	3.5	12	9	M12	19	7	8	8	50

Version W798 CIN - stainless steel (Aisi 303)



Code	Art.	D	H	h	A	e	s	d2	e2	s2	d1-0,02 -0,04	Q	g
W798.0002	W798.J04CIN	15	35.5	12	2	6	4.5	M6	10	4	4	4	7
W798.0004	W798.J05CIN	19	46	16	2.5	8	6	M8	13	5	5	5	16
W798.0006	W798.J06CIN	27	60.5	20	3	10	7.5	M10	17	6	6	6	31
W798.0008	W798.J08CIN	33	75	24	3.5	12	9	M12	19	7	8	8	50

W695CIN

QUICK RELEASE KNOB DETENT PIN IN FULL STAINLESS STEEL



INOX

Materials:

- (1) Hardened stainless steel balls (Aisi 440C).
- (2) Stainless steel pin (Aisi 630), with high mechanical and chemical resistance, hardened (HRC 40).
- (4) Turned stainless steel knob (Aisi 303).
- (5) Stainless steel spring (Aisi 301).
- (6) Turned stainless steel button (Aisi 303).

Surface finish:

Natural with protective passivation.

Colour:

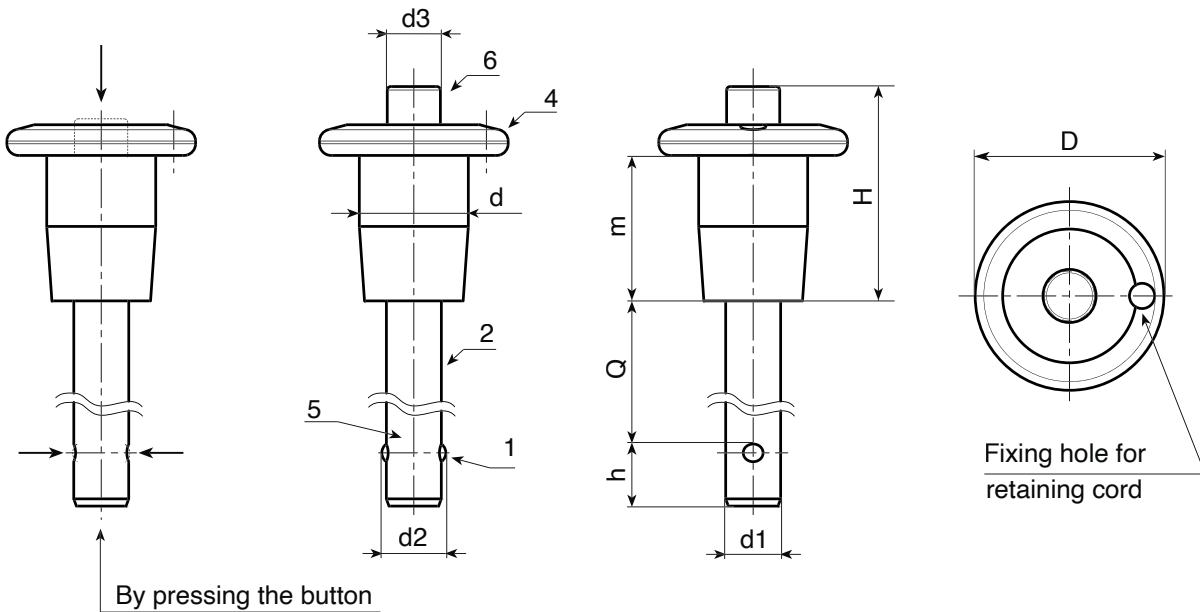
Natural.

ATTENTION:

> We recommend an H11 tolerance for the plunger stem bore.

Special Requests:

- None.



22

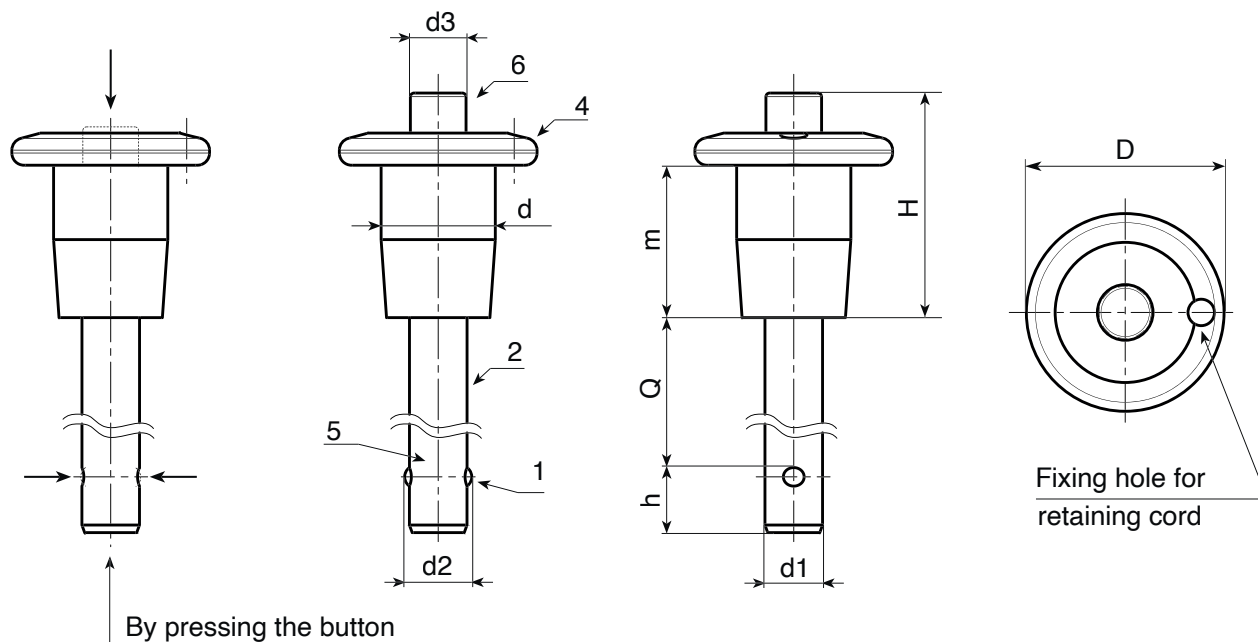
Code	Art.	D	H	m	d	d2(±0.25)	d3	d1 (-0,04 -0,08)	Q(+0.5)	h(±1)	g
W69521.0001	W69521.105X10CIN	21	23,5	16	12	5,54	6	5	10	6	22
W69521.0002	W69521.105X15CIN	21	23,5	16	12	5,54	6	5	15	6	23
W69521.0003	W69521.105X20CIN	21	23,5	16	12	5,54	6	5	20	6	23
W69521.0004	W69521.105X25CIN	21	23,5	16	12	5,54	6	5	25	6	24
W69521.0005	W69521.105X30CIN	21	23,5	16	12	5,54	6	5	30	6	25
W69521.0006	W69521.105X35CIN	21	23,5	16	12	5,54	6	5	35	6	25
W69521.0007	W69521.105X40CIN	21	23,5	16	12	5,54	6	5	40	6	26
W69521.0008	W69521.105X50CIN	21	23,5	16	12	5,54	6	5	50	6	28
W69521.0009	W69521.105X60CIN	21	23,5	16	12	5,54	6	5	60	6	29

W695CIN

QUICK RELEASE KNOB DETENT PIN IN FULL STAINLESS STEEL



INOX



Code	Art.	D	H	m	d	d2(±0.25)	d3	d1(-0,04 -0,08)	Q(+0.5)	h(±1)	g
W69521.0010	W69521.I05X70CIN	21	23,5	16	12	5,54	6	5	70	6	30
W69521.0011	W69521.I06X10CIN	21	23,5	16	12	6,99	6	6	10	7	23
W69521.0012	W69521.I06X15CIN	21	23,5	16	12	6,99	6	6	15	7	24
W69521.0013	W69521.I06X20CIN	21	23,5	16	12	6,99	6	6	20	7	25
W69521.0014	W69521.I06X25CIN	21	23,5	16	12	6,99	6	6	25	7	26
W69521.0015	W69521.I06X30CIN	21	23,5	16	12	6,99	6	6	30	7	27
W69521.0016	W69521.I06X35CIN	21	23,5	16	12	6,99	6	6	35	7	28
W69521.0017	W69521.I06X40CIN	21	23,5	16	12	6,99	6	6	40	7	29,5
W69521.0018	W69521.I06X50CIN	21	23,5	16	12	6,99	6	6	50	7	32
W69521.0019	W69521.I06X60CIN	21	23,5	16	12	6,99	6	6	60	7	34
W69521.0020	W69521.I06X70CIN	21	23,5	16	12	6,99	6	6	70	7	36
W69521.0021	W69521.I06X80CIN	21	23,5	16	12	6,99	6	6	80	7	38,5
W69521.0022	W69521.I08X10CIN	21	23,5	16	12	9,42	6	8	10	8	27
W69521.0023	W69521.I08X15CIN	21	23,5	16	12	9,42	6	8	15	8	29
W69521.0024	W69521.I08X20CIN	21	23,5	16	12	9,42	6	8	20	8	31
W69521.0025	W69521.I08X25CIN	21	23,5	16	12	9,42	6	8	25	8	32
W69521.0026	W69521.I08X30CIN	21	23,5	16	12	9,42	6	8	30	8	35
W69521.0027	W69521.I08X35CIN	21	23,5	16	12	9,42	6	8	35	8	36
W69521.0028	W69521.I08X40CIN	21	23,5	16	12	9,42	6	8	40	8	38
W69521.0029	W69521.I08X50CIN	21	23,5	16	12	9,42	6	8	50	8	42
W69521.0030	W69521.I08X60CIN	21	23,5	16	12	9,42	6	8	60	8	46
W69521.0031	W69521.I08X70CIN	21	23,5	16	12	9,42	6	8	70	8	50
W69521.0032	W69521.I08X80CIN	21	23,5	16	12	9,42	6	8	80	8	54
W69525.0001	W69525.I10X100CIN	25,5	26	18	14	11,86	7,5	10	100	9	96
W69535.0002	W69535.I12X20CIN	35	32,5	22	18	14,45	10,5	12	20	10	98
W69535.0003	W69535.I12X25CIN	35	32,5	22	18	14,45	10,5	12	25	10	102
W69535.0004	W69535.I12X30CIN	35	32,5	22	18	14,45	10,5	12	30	10	107
W69535.0005	W69535.I12X35CIN	35	32,5	22	18	14,45	10,5	12	35	10	110
W69535.0006	W69535.I12X40CIN	35	32,5	22	18	14,45	10,5	12	40	10	115
W69535.0007	W69535.I12X50CIN	35	32,5	22	18	14,45	10,5	12	50	10	123
W69535.0008	W69535.I12X60CIN	35	32,5	22	18	14,45	10,5	12	60	10	132
W69535.0009	W69535.I12X70CIN	35	32,5	22	18	14,45	10,5	12	70	10	140
W69535.0010	W69535.I12X80CIN	35	32,5	22	18	14,45	10,5	12	80	10	150
W69535.0011	W69535.I12X90CIN	35	32,5	22	18	14,45	10,5	12	90	10	157
W69535.0001	W69535.I12X100CIN	35	32,5	22	18	14,45	10,5	12	100	10	168

W698

QUICK RELEASE PLASTIC KNOB DETENT PIN



Materials:

- (1) Reinforced polyamide. Resistant to oils and greases.
- (2) Stainless steel (Aisi 303).

Surface finish:

- (1) Satin.
- (2) Turned.

Colour:

- (1) Black (RAL 9011).
- (2) Natural.

Inserts:

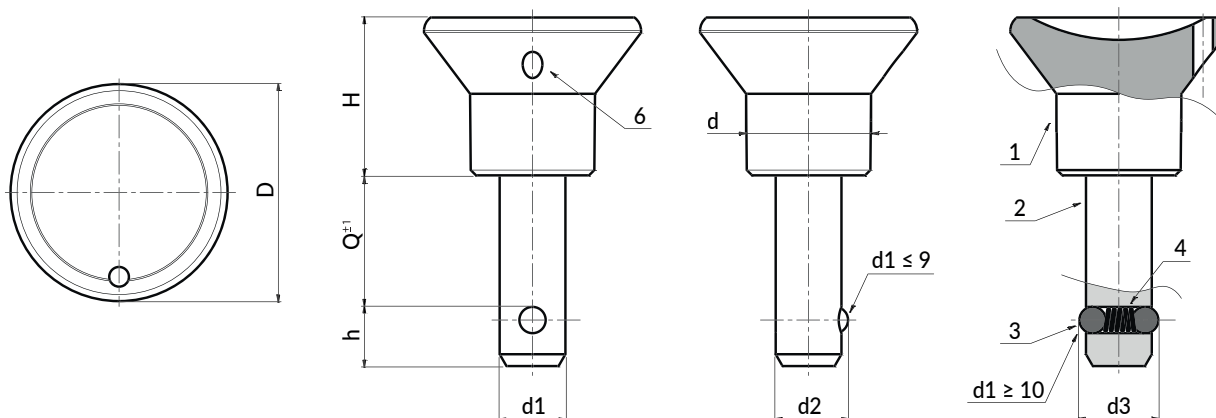
- (4) Galvanised steel spring.
- (3) Stainless steel balls (Aisi 440C).
- (2) Turned stem with hole for spring and ball.

Attention:

- > Two retaining balls are mounted in a stem with diameter equal to or greater than 10mm.
- > We recommend making the hole for the stem with tolerance H11.

Special Requests:

- None.



Code	Art.	D	d	H	h	d2	d3	d1 _(-0.04/-0.08)	Q _(+0.6)	g	Shear strength to double shear strength max. kN
W698025.0001	W698025.TD06X1001	25	14	18	7	6.5	-	6	10	12	22
W698025.0002	W698025.TD06X1501	25	14	18	7	6.5	-	6	15	12	22
W698025.0003	W698025.TD06X2001	25	14	18	7	6.5	-	6	20	13	22
W698025.0004	W698025.TD06X2501	25	14	18	7	6.5	-	6	25	14	22
W698025.0005	W698025.TD06X3001	25	14	18	7	6.5	-	6	30	15	22
W698025.0006	W698025.TD06X4001	25	14	18	7	6.5	-	6	40	18	22
W698025.0007	W698025.TD06X5001	25	14	18	7	6.5	-	6	50	21	22
W698025.0008	W698025.TD08X1501	25	14	18	8	8.75	-	8	15	18	38
W698025.0009	W698025.TD08X2001	25	14	18	8	8.75	-	8	20	19	38
W698025.0010	W698025.TD08X2501	25	14	18	8	8.75	-	8	25	20	38
W698025.0011	W698025.TD08X3001	25	14	18	8	8.75	-	8	30	21	38
W698025.0012	W698025.TD08X4001	25	14	18	8	8.75	-	8	40	25	38
W698025.0013	W698025.TD08X5001	25	14	18	8	8.75	-	8	50	31	38
W698033.0001	W698033.TD10X1501	33	19	24	9	-	12	10	15	29	60
W698033.0002	W698033.TD10X2001	33	19	24	9	-	12	10	20	32	60
W698033.0003	W698033.TD10X2501	33	19	24	9	-	12	10	25	37	60
W698033.0004	W698033.TD10X3001	33	19	24	9	-	12	10	30	38	60
W698033.0005	W698033.TD10X4001	33	19	24	9	-	12	10	40	46	60
W698033.0006	W698033.TD10X5001	33	19	24	9	-	12	10	50	53	60
W698033.0007	W698033.TD12X2001	33	19	24	10	-	14.5	12	20	40	86
W698033.0008	W698033.TD12X3001	33	19	24	10	-	14.5	12	30	51	86
W698033.0009	W698033.TD12X4001	33	19	24	10	-	14.5	12	40	60	86
W698033.0010	W698033.TD12X5001	33	19	24	10	-	14.5	12	50	69	86



CHECKMATE YOUR COMPETITION.



W634CIN

FULL STAINLESS STEEL QUICK RELEASE DETENT PIN



INOX

Materials:

- (1) Turned stainless steel body (Aisi 303).
- (2) Turned stainless steel pin (Aisi 303).
- (3) Stainless steel spring (Aisi 301).
- (4) Hardened stainless steel balls (Aisi 440C).

Surface finish:

Natural.

Colour:

Natural.

ATTENTION:

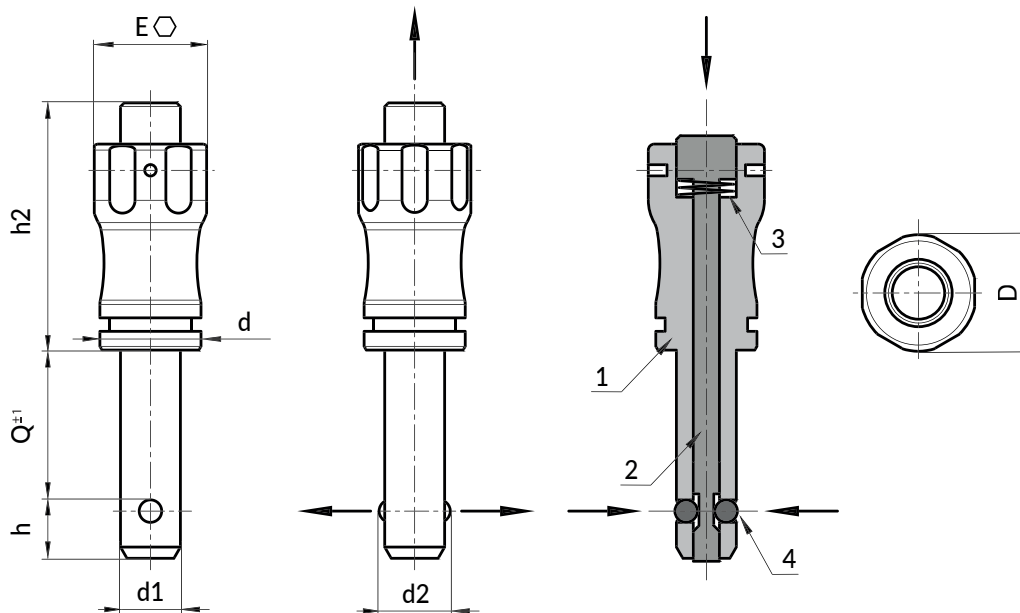
> We recommend an H11 tolerance for the plunger stem bore.

Notes:

The quick release detent pin is a quick and easy way to connect components or secure pieces to be machined.

Special Requests:

- None.



Version W634CIN: without ring

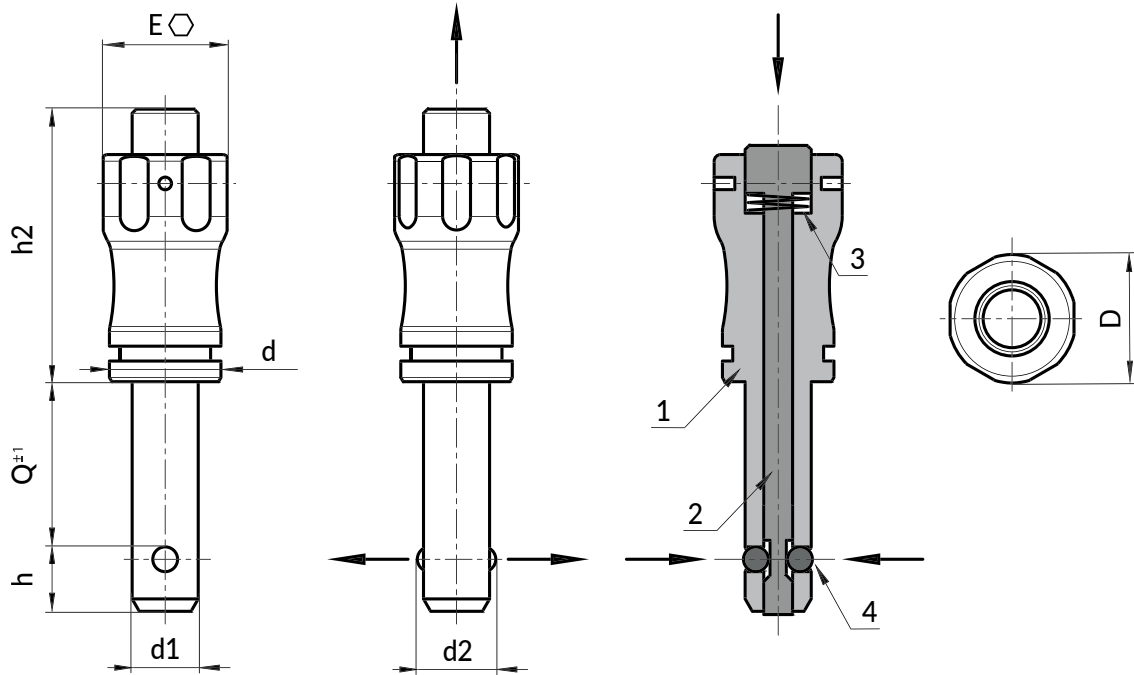
Code	Art.	D	d	d2	E	h	h2	d1 _{H9}	Q(+0.6)		Shear strength to double shear strength max. kN
W634011.0001	W634011.HD05X10CIN	11.5	10	5.5	11	5.9	25	5	10	12	15
W634011.0002	W634011.HD05X15CIN	11.5	10	5.5	11	5.9	25	5	15	12	15
W634011.0003	W634011.HD05X20CIN	11.5	10	5.5	11	5.9	25	5	20	13	15
W634011.0004	W634011.HD05X25CIN	11.5	10	5.5	11	5.9	25	5	25	16	15
W634011.0005	W634011.HD05X30CIN	11.5	10	5.5	11	5.9	25	5	30	19	15
W634011.0006	W634011.HD06X10CIN	11.5	10	6.85	11	6.8	25	6	10	13	22
W634011.0007	W634011.HD06X15CIN	11.5	10	6.85	11	6.8	25	6	15	13	22
W634011.0008	W634011.HD06X20CIN	11.5	10	6.85	11	6.8	25	6	20	13.5	22
W634011.0009	W634011.HD06X25CIN	11.5	10	6.85	11	6.8	25	6	25	14	22

W634CIN

FULL STAINLESS STEEL QUICK RELEASE DETENT PIN



INOX



Code	Art.	D	d	d2	E	h	h2	d1H9	Q(+0.6)	g	Shear strength to double shear strength max. kN
W634011.0010	W634011.HD06X30CIN	11.5	10	6.85	11	6.8	25	6	30	14.5	22
W634011.0011	W634011.HD06X35CIN	11.5	10	6.85	11	6.8	25	6	35	17.5	22
W634011.0012	W634011.HD06X40CIN	11.5	10	6.85	11	6.8	25	6	40	21	22
W634011.0013	W634011.HD06X45CIN	11.5	10	6.85	11	6.8	25	6	45	23	22
W634011.0014	W634011.HD06X50CIN	11.5	10	6.85	11	6.8	25	6	50	26	22
W634015.0001	W634015.HD08X20CIN	15.5	13.5	9.5	15	7.8	33	8	20	26	38
W634015.0002	W634015.HD08X25CIN	15.5	13.5	9.5	15	7.8	33	8	25	27	38
W634015.0003	W634015.HD08X30CIN	15.5	13.5	9.5	15	7.8	33	8	30	27.5	38
W634015.0004	W634015.HD08X35CIN	15.5	13.5	9.5	15	7.8	33	8	35	28	38
W634015.0005	W634015.HD08X40CIN	15.5	13.5	9.5	15	7.8	33	8	40	28.5	38
W634015.0006	W634015.HD08X45CIN	15.5	13.5	9.5	15	7.8	33	8	45	28.5	38
W634015.0007	W634015.HD08X50CIN	15.5	13.5	9.5	15	7.8	33	8	50	30	38
W634015.0008	W634015.HD10X20CIN	15.5	13.5	12	15	8.9	33	10	20	27.5	60
W634015.0009	W634015.HD10X25CIN	15.5	13.5	12	15	8.9	33	10	25	28	60
W634015.0010	W634015.HD10X30CIN	15.5	13.5	12	15	8.9	33	10	30	28.5	60
W634015.0011	W634015.HD10X35CIN	15.5	13.5	12	15	8.9	33	10	35	29	60
W634015.0012	W634015.HD10X40CIN	15.5	13.5	12	15	8.9	33	10	40	29.5	60
W634015.0013	W634015.HD10X45CIN	15.5	13.5	12	15	8.9	33	10	45	30	60
W634015.0014	W634015.HD10X50CIN	15.5	13.5	12	15	8.9	33	10	50	30.5	60
W634015.0015	W634015.HD10X60CIN	15.5	13.5	12	15	8.9	33	10	60	31.5	60
W634022.0001	W634022.HD12X25CIN	22	20	14.5	21	9.9	39.5	12	25	62.5	86
W634022.0002	W634022.HD12X30CIN	22	20	14.5	21	9.9	39.5	12	30	63.5	86
W634022.0003	W634022.HD12X35CIN	22	20	14.5	21	9.9	39.5	12	35	64.5	86
W634022.0004	W634022.HD12X40CIN	22	20	14.5	21	9.9	39.5	12	40	65.5	86
W634022.0005	W634022.HD12X45CIN	22	20	14.5	21	9.9	39.5	12	45	66	86
W634022.0006	W634022.HD12X50CIN	22	20	14.5	21	9.9	39.5	12	50	75.5	86
W634022.0007	W634022.HD12X60CIN	22	20	14.5	21	9.9	39.5	12	60	77.5	86
W634022.0008	W634022.HD12X70CIN	22	20	14.5	21	9.9	39.5	12	70	79	86
W634022.0009	W634022.HD12X80CIN	22	20	14.5	21	9.9	39.5	12	80	81	86
W634022.0010	W634022.HD16X30CIN	22	20	19	21	13.1	39.5	16	30	74	153
W634022.0011	W634022.HD16X35CIN	22	20	19	21	13.1	39.5	16	35	75	153
W634022.0012	W634022.HD16X40CIN	22	20	19	21	13.1	39.5	16	40	76	153
W634022.0013	W634022.HD16X45CIN	22	20	19	21	13.1	39.5	16	45	77	153
W634022.0014	W634022.HD16X50CIN	22	20	19	21	13.1	39.5	16	50	78	153
W634022.0015	W634022.HD16X60CIN	22	20	19	21	13.1	39.5	16	60	80.5	153
W634022.0016	W634022.HD16X70CIN	22	20	19	21	13.1	39.5	16	70	83	153
W634022.0017	W634022.HD16X80CIN	22	20	19	21	13.1	39.5	16	80	85	153

W635CIN

FULL STAINLESS STEEL QUICK RELEASE DETENT PIN - WITH RING



INOX

Materials:

- (1) Turned stainless steel body (Aisi 303).
- (2) Turned stainless steel pin (Aisi 303).
- (3) Stainless steel spring (Aisi 301).
- (4) Hardened stainless steel balls (Aisi 440C).
- (5) Stainless steel spring ring (Aisi 302).

Surface finish:

Natural.

Colour:

Natural.

Notes:

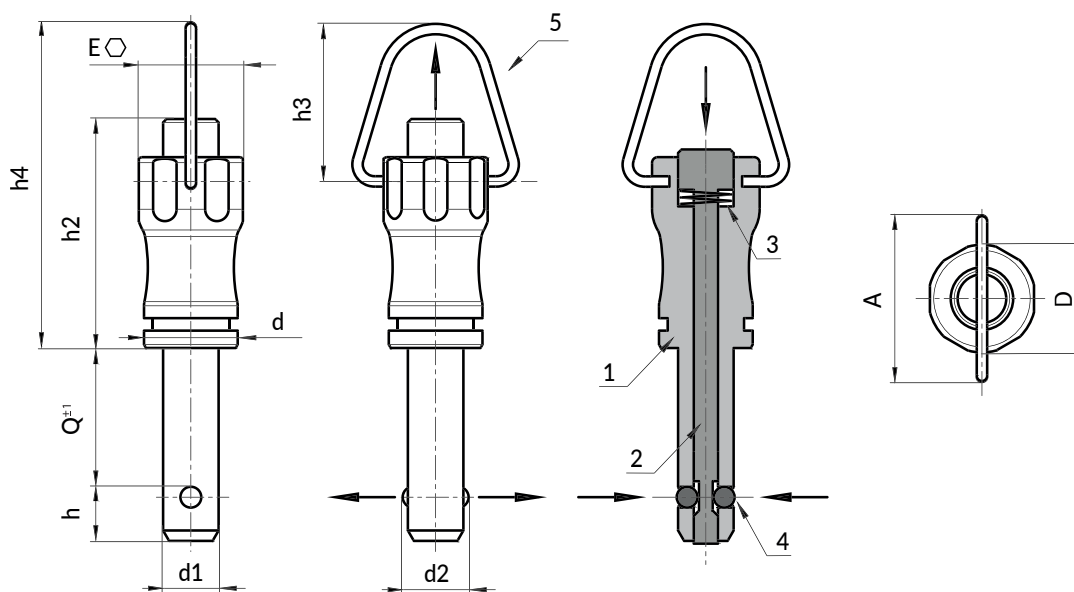
The quick release detent pin is a quick and easy way to connect components or secure pieces to be machined.

ATTENTION:

> We recommend an H11 tolerance for the plunger stem bore.

Special Requests:

- None.



Version W635 CIN: with stainless steel ring (Aisi 303)

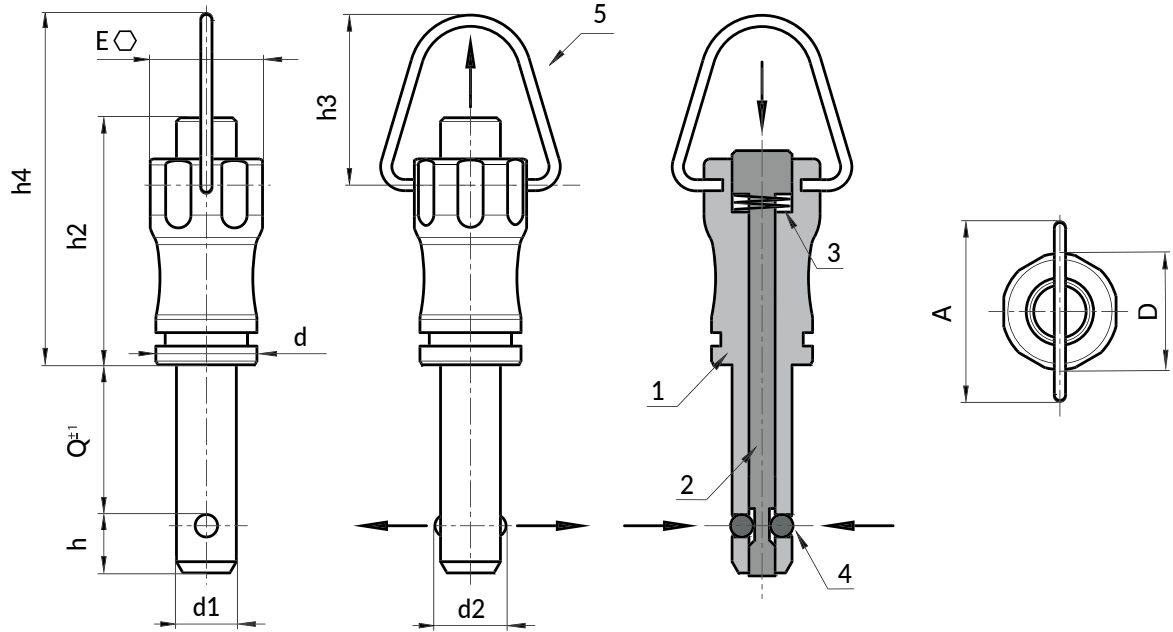
Code	Art.	D	d	d2	A	E	h	h2	h3	h4	d1 _{H9}	Q _(+0.6)	9	Shear strength to double shear strength max. kN
W635011.0001	W635011.HD05X10CIN	11,5	10	5,5	18	11	5,9	25	16,5	35	5	10	12	15
W635011.0002	W635011.HD05X15CIN	11,5	10	5,5	18	11	5,9	25	16,5	35	5	15	12	15
W635011.0003	W635011.HD05X20CIN	11,5	10	5,5	18	11	5,9	25	16,5	35	5	20	13	15
W635011.0004	W635011.HD05X25CIN	11,5	10	5,5	18	11	5,9	25	16,5	35	5	25	16	15
W635011.0005	W635011.HD05X30CIN	11,5	10	5,5	18	11	5,9	25	16,5	35	5	30	19	15
W635011.0006	W635011.HD06X10CIN	11,5	10	6,85	18	11	6,8	25	16,5	35	6	10	13	22
W635011.0007	W635011.HD06X15CIN	11,5	10	6,85	18	11	6,8	25	16,5	35	6	15	13	22
W635011.0008	W635011.HD06X20CIN	11,5	10	6,85	18	11	6,8	25	16,5	35	6	20	13,5	22
W635011.0009	W635011.HD06X25CIN	11,5	10	6,85	18	11	6,8	25	16,5	35	6	25	14	22

W635CIN

FULL STAINLESS STEEL QUICK RELEASE DETENT PIN - WITH RING



INOX



Code	Art.	D	d	d2	A	E	h	h2	h3	h4	d1H9	Q(+0.6)	g	Shear strength to double shear strength max. kN
W635011.0010	W635011.HD06X30CIN	11,5	10	6,85	18	11	6,8	25	16,5	35	6	30	14,5	22
W635011.0011	W635011.HD06X35CIN	11,5	10	6,85	18	11	6,8	25	16,5	35	6	35	17,5	22
W635011.0012	W635011.HD06X40CIN	11,5	10	6,85	18	11	6,8	25	16,5	35	6	40	21	22
W635011.0013	W635011.HD06X45CIN	11,5	10	6,85	18	11	6,8	25	16,5	35	6	45	23	22
W635011.0014	W635011.HD06X50CIN	11,5	10	6,85	18	11	6,8	25	16,5	35	6	50	26	22
W635015.0001	W635015.HD08X20CIN	15,5	13,5	9,5	24	15	7,8	33	23	47	8	20	26	38
W635015.0002	W635015.HD08X25CIN	15,5	13,5	9,5	24	15	7,8	33	23	47	8	25	27	38
W635015.0003	W635015.HD08X30CIN	15,5	13,5	9,5	24	15	7,8	33	23	47	8	30	27,5	38
W635015.0004	W635015.HD08X35CIN	15,5	13,5	9,5	24	15	7,8	33	23	47	8	35	28	38
W635015.0005	W635015.HD08X40CIN	15,5	13,5	9,5	24	15	7,8	33	23	47	8	40	28,5	38
W635015.0006	W635015.HD08X45CIN	15,5	13,5	9,5	24	15	7,8	33	23	47	8	45	28,5	38
W635015.0007	W635015.HD08X50CIN	15,5	13,5	9,5	24	15	7,8	33	23	47	8	50	30	38
W635015.0008	W635015.HD10X20CIN	15,5	13,5	12	24	15	8,9	33	23	47	10	20	27,5	60
W635015.0009	W635015.HD10X25CIN	15,5	13,5	12	24	15	8,9	33	23	47	10	25	28	60
W635015.0010	W635015.HD10X30CIN	15,5	13,5	12	24	15	8,9	33	23	47	10	30	28,5	60
W635015.0011	W635015.HD10X35CIN	15,5	13,5	12	24	15	8,9	33	23	47	10	35	29	60
W635015.0012	W635015.HD10X40CIN	15,5	13,5	12	24	15	8,9	33	23	47	10	40	29,5	60
W635015.0013	W635015.HD10X45CIN	15,5	13,5	12	24	15	8,9	33	23	47	10	45	30	60
W635015.0014	W635015.HD10X50CIN	15,5	13,5	12	24	15	8,9	33	23	47	10	50	30,5	60
W635015.0015	W635015.HD10X60CIN	15,5	13,5	12	24	15	8,9	33	23	47	10	60	31,5	60
W635022.0001	W635022.HD12X25CIN	22	20	14,5	33	21	9,9	39,5	30	59,5	12	25	62,5	86
W635022.0002	W635022.HD12X30CIN	22	20	14,5	33	21	9,9	39,5	30	59,5	12	30	63,5	86
W635022.0003	W635022.HD12X35CIN	22	20	14,5	33	21	9,9	39,5	30	59,5	12	35	64,5	86
W635022.0004	W635022.HD12X40CIN	22	20	14,5	33	21	9,9	39,5	30	59,5	12	40	65,5	86
W635022.0005	W635022.HD12X45CIN	22	20	14,5	33	21	9,9	39,5	30	59,5	12	45	66	86
W635022.0006	W635022.HD12X50CIN	22	20	14,5	33	21	9,9	39,5	30	59,5	12	50	75,5	86
W635022.0007	W635022.HD12X60CIN	22	20	14,5	33	21	9,9	39,5	30	59,5	12	60	77,5	86
W635022.0008	W635022.HD12X70CIN	22	20	14,5	33	21	9,9	39,5	30	59,5	12	70	79	86
W635022.0009	W635022.HD12X80CIN	22	20	14,5	33	21	9,9	39,5	30	59,5	12	80	81	86
W635022.0010	W635022.HD16X30CIN	22	20	19	33	21	13,1	39,5	30	59,5	16	30	74	153
W635022.0011	W635022.HD16X35CIN	22	20	19	33	21	13,1	39,5	30	59,5	16	35	75	153
W635022.0012	W635022.HD16X40CIN	22	20	19	33	21	13,1	39,5	30	59,5	16	40	76	153
W635022.0013	W635022.HD16X45CIN	22	20	19	33	21	13,1	39,5	30	59,5	16	45	77	153
W635022.0014	W635022.HD16X50CIN	22	20	19	33	21	13,1	39,5	30	59,5	16	50	78	153
W635022.0015	W635022.HD16X60CIN	22	20	19	33	21	13,1	39,5	30	59,5	16	60	80,5	153
W635022.0016	W635022.HD16X70CIN	22	20	19	33	21	13,1	39,5	30	59,5	16	70	83	153
W635022.0017	W635022.HD16X80CIN	22	20	19	33	21	13,1	39,5	30	59,5	16	80	85	153

W630

QUICK RELEASE STEEL RING DETENT PIN



Materials:

- (1) Stainless steel spring ring (Aisi 302).
- (2) Turned free-cutting steel pin.
- (3) Stainless steel spring (Aisi 301).
- (4) Hardened stainless steel balls (Aisi 440C).

Surface finish:

- (1-4) Natural.
- (2) Standard blue galvanising.

Notes:

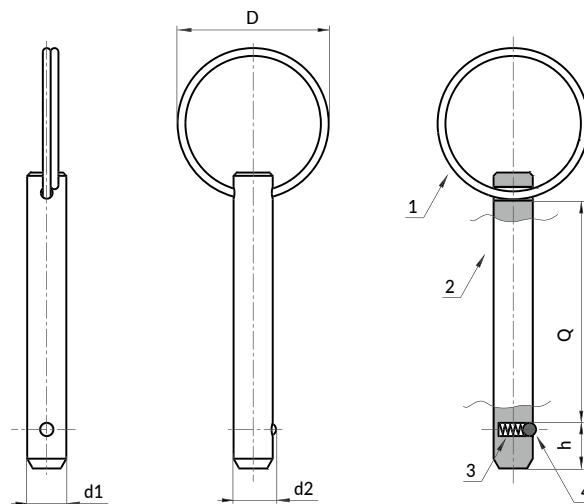
The quick release detent pin is a quick and easy way to connect components or secure pieces to be machined.

ATTENTION:

> We recommend an H11 tolerance for the plunger stem bore.

Special Requests:

- None.



Code	Art.	D	d2	h	d1H9	Q(+0.6)	g	Shear strength to double shear strength max. kN
W630023.0001	W630023.VZD06X15	23	6.5	7	6	15	7	22
W630023.0002	W630023.VZD06X20	23	6.5	7	6	20	8	22
W630023.0003	W630023.VZD06X30	23	6.5	7	6	30	10	22
W630023.0004	W630023.VZD06X40	23	6.5	7	6	40	12	22
W630028.0001	W630028.VZD08X30	28	8.8	8	8	30	19	38
W630028.0002	W630028.VZD08X40	28	8.8	8	8	40	23	38
W630028.0003	W630028.VZD08X50	28	8.8	8	8	50	27	38