

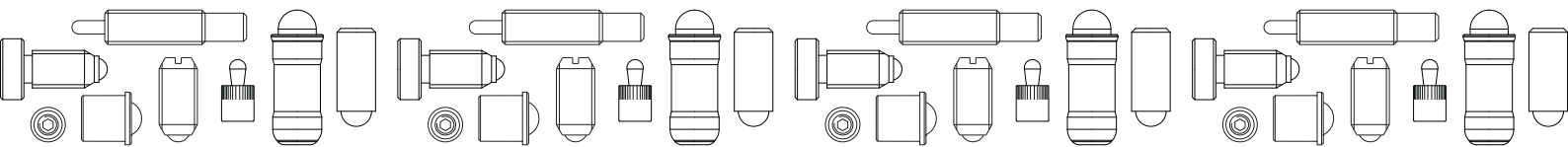


GROUP - 21

METAL SPRING AND BALL PLUNGERS LINE

BOTECO Metal Spring and Ball Plungers Line

Sub-group of the METALLINE[®] family dedicated to Boteco's metal spring and ball plungers: devices for positioning or locking equipment or machinery parts. Unlike the devices of the W-S family, these spring-loaded positioners are automatic and cannot be operated manually. In addition to spring plungers, in this family you will find a range of thrust screws with metal or plastic ball ends, and a small range of grub screws with brass nose pin and springless ball. For detailed information on the specifications of each individual product please consult the technical sheet.



W838

UPDATE

POM

UL94 HB

+50°
-20°

RoHS COMPLIANT

THREADED PLASTIC SPRING PLUNGER WITH SLOTTED END AND PLASTIC OR STEEL BALL

Materials:

Moulded plastic plunger body (POM - Delrin).

Surface finish:

Light satin.

Colour:

Black (RAL 9011).

Ball:

W838:

White moulded plastic ball (POM).

W838CIN

Hardened stainless steel ball (Aisi 420).

Type of spring thrust:

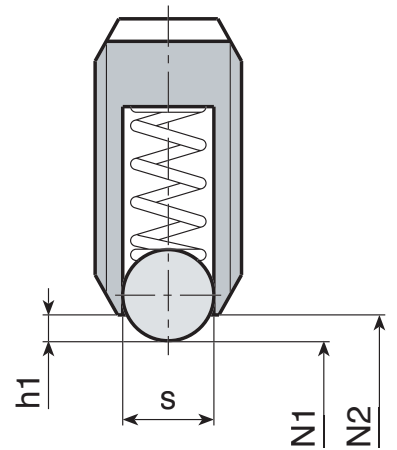
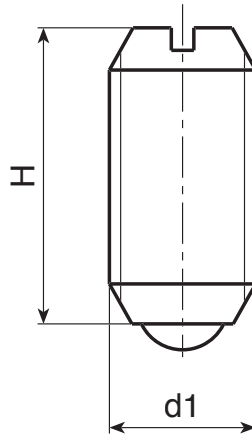
Normal.

Spring:

Stainless steel spring (Aisi 301).

Special requests:

- None.



Version W838: with plastic ball (DELTRIN)

Code	art.	s	H	h1	N1 (N)	N2 (N)	d1 _{6H}	g
W838.0001	W838.TM06	3.5	14	1	9	13	M6	0.4
W838.0002	W838.TM08	5	16	1.5	15	30	M8	1
W838.0003	W838.TM10	6	19	2	20	40	M10	2

Version W838CIN: with stainless steel ball.

Code	art.	s	H	h1	N1 (N)	N2 (N)	d1 _{6H}	g
W838.0004	W838.TM06	3.5	14	1	9	13	M6	0.4
W838.0005	W838.TM08	5	16	1.5	15	30	M8	1
W838.0006	W838.TM10CIN	6	19	2	20	40	M10	2

W830



THREADED STEEL SPRING PLUNGER WITH SLOTTED END

Materials:

W830:

Steel plunger body with property class 5.8.

W830CIN:

Stainless steel plunger body (Aisi 303).

Surface finish:

Smooth.

Colour:

W830:

Black-oxide treated.

W830CIN:

Natural.

Ball:

Hardened stainless steel ball (bearing type) (Aisi 420).

Spring:

W830:

Harmonic steel spring.

W830CIN:

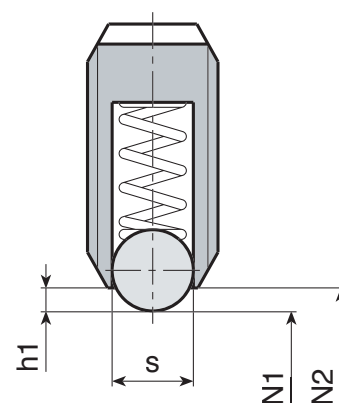
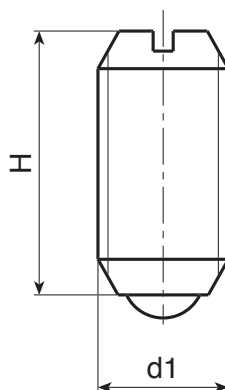
Stainless steel spring (Aisi 301).

Type of spring thrust:

Normal.

Special requests:

- None.



Version W830: black-oxide treated steel

Code	art.	s	H	h1	N1 (N)	N2 (N)	d1 _{6H}	g
W830.0012	W830.VBM03	1.5	7	0.5	1.5	3	M3	0.2
W830.0013	W830.VBM04	2.5	9	0.8	4	10	M4	0.4
W830.0014	W830.VBM05	3	12	0.9	6	11	M5	0.9
W830.0015	W830.VBM06	3.5	14	1	9	13	M6	1.5
W830.0016	W830.VBM08	5	16	1.5	15	30	M8	3.5
W830.0017	W830.VBM10	6	19	2	20	35	M10	7
W830.0018	W830.VBM12	8	22	2.5	30	55	M12	10
W830.0019	W830.VBM16	10	24	3.5	65	125	M16	24
W830.0020	W830.VBM20	12	30	4.5	80	160	M20	44

Version W830 CIN - stainless steel (Aisi 303).

INOX

Code	art.	s	H	h1	N1 (N)	N2 (N)	d1 _{6H}	g
W830.0001	W830.INM03CIN	1.5	7	0.5	1.5	3	M3	0.2
W830.0002	W830.INM04CIN	2.5	9	0.8	4	10	M4	0.4
W830.0003	W830.INM05CIN	3	12	0.9	6	11	M5	0.9
W830.0004	W830.INM06CIN	3.5	14	1	9	13	M6	1.5
W830.0005	W830.INM08CIN	5	16	1.5	15	30	M8	3.5
W830.0006	W830.INM10CIN	6	19	2	20	35	M10	7
W830.0008	W830.INM12CIN	8	22	2.5	30	55	M12	10
W830.0009	W830.INM16CIN	10	24	3.5	65	125	M16	24
W830.0010	W830.INM20CIN	12	30	4.5	80	160	M20	44

W831



C40

Aisi 303



THREADED STEEL SPRING PLUNGER WITH SLOTTED END - STRONGER THRUST

Materials:

W831:

Steel plunger body with property class 5.8.

W831CIN:

Stainless steel plunger body (Aisi 303).

Surface finish:

Smooth.

Colour:

W831:

Black-oxide treated.

W831CIN:

Natural.

Ball:

Hardened stainless steel ball (bearing type) (Aisi 420).

Spring:

W831:

Harmonic steel spring.

W831CIN:

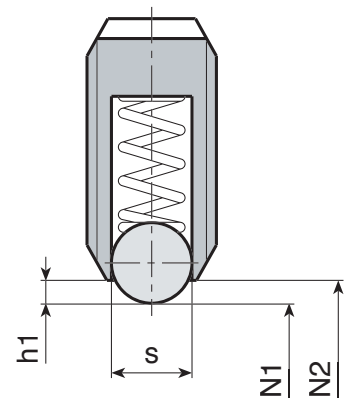
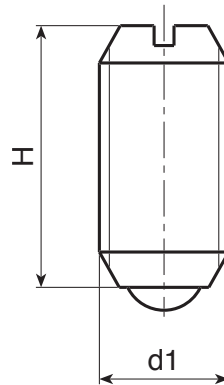
Stainless steel spring (Aisi 301).

Type of spring thrust:

Stronger.

Special requests:

- None.



Version W831: black-oxide treated steel

Code	art.	s	H	h1	N1 (N)	N2 (N)	d1 _{6H}	g
W831.0011	W831.VBM04	2.5	9	0.8	12	22	M4	0.4
W831.0012	W831.VBM05	3	12	0.9	19	30	M5	0.9
W831.0013	W831.VBM06	3.5	14	1	28	40	M6	1.5
W831.0014	W831.VBM08	5	16	1.5	47	73	M8	3.5
W831.0016	W831.VBM10	6	19	2	66	100	M10	6.5
W831.0017	W831.VBM12	8	22	2.5	66	120	M12	10
W831.0018	W831.VBM16	10	24	3.5	90	180	M16	24
W831.0019	W831.VBM20	12	30	4.5	115	240	M20	44

Version W831CIN - stainless steel (Aisi 303)

INOX

Code	art.	s	H	h1	N1 (N)	N2 (N)	d1 _{6H}	g
W831.0002	W831.INM04CIN	2.5	9	0.8	12	22	M4	0.4
W831.0003	W831.INM05CIN	3	12	0.9	19	30	M5	0.9
W831.0004	W831.INM06CIN	3.5	14	1	28	40	M6	1.5
W831.0005	W831.INM08CIN	5	16	1.5	47	73	M8	3.5
W831.0006	W831.INM10CIN	6	19	2	66	100	M10	6.5
W831.0007	W831.INM12CIN	8	22	2.5	66	120	M12	10
W831.0008	W831.INM16CIN	10	24	3.5	90	180	M16	24
W831.0009	W831.INM20CIN	12	30	4.5	115	240	M20	44

W834



THREADED STEEL SPRING PLUNGER WITH HEXAGON SOCKET END

Materials:

W834:

Steel plunger body with property class 5.8.

W834CIN:

Stainless steel plunger body (Aisi 303).

Surface finish:

Smooth.

Colour:

W834:

Black-oxide treated.

W834CIN:

Natural.

Ball:

Hardened stainless steel ball (bearing type) (Aisi 420).

Spring:

W834:

Harmonic steel spring.

W834CIN:

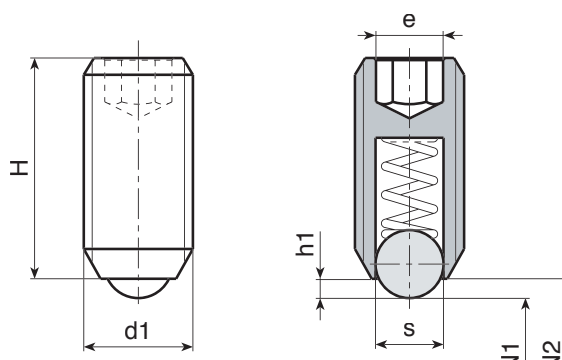
Stainless steel spring (Aisi 301).

Type of spring thrust:

Normal.

Special requests:

- None.



Version W834: black-oxide treated steel

Code	art.	s	H	h1	N1 (N)	N2 (N)	d1 _{6H}	g
W834.0011	W834.VBM03	1.5	9	0.5	1.5	3	M3	0.2
W834.0012	W834.VBM04	2.5	10	0.8	4	10	M4	0.4
W834.0013	W834.VBM05	3	14	0.9	6	11	M5	1.2
W834.0014	W834.VBM06	3.5	15	1	9	13	M6	2
W834.0015	W834.VBM08	5	18	1.5	15	30	M8	4
W834.0016	W834.VBM10	6	23	2	20	35	M10	8
W834.0017	W834.VBM12	8	26	2.5	30	55	M12	12
W834.0018	W834.VBM16	10	33	3.5	65	125	M16	31
W834.0019	W834.VBM20	12	43	4.5	80	160	M20	64
W834.0020	W834.VBM24	15	48	5.5	90	180	M24	100

Version W834CIN - stainless steel (Aisi 303)

INOX

Code	art.	s	H	h1	N1 (N)	N2 (N)	d1 _{6H}	g
W834.0001	W834.INM03CIN	1.5	9	0.5	1.5	3	M3	0.2
W834.0002	W834.INM04CIN	2.5	10	0.8	4	10	M4	0.4
W834.0003	W834.INM05CIN	3	14	0.9	6	11	M5	1.2
W834.0004	W834.INM06CIN	3.5	15	1	9	13	M6	2
W834.0005	W834.INM08CIN	5	18	1.5	15	30	M8	4
W834.0006	W834.INM10CIN	6	23	2	20	35	M10	8
W834.0007	W834.INM12CIN	8	26	2.5	30	55	M12	12
W834.0008	W834.INM16CIN	10	33	3.5	65	125	M16	31
W834.0009	W834.INM20CIN	12	43	4.5	80	160	M20	64
W834.0010	W834.INM24CIN	15	48	5.5	90	180	M24	100

W835



C40

Aisi 303



THREADED STEEL SPRING PLUNGER WITH HEXAGON SOCKET END STRONGER THRUST

Materials:

W835:

Steel plunger body with property class 5.8.

W835CIN:

Stainless steel plunger body (Aisi 303).

Surface finish:

Smooth.

Colour:

W835:

Black-oxide treated.

W835CIN:

Natural.

Ball:

Hardened stainless steel ball (bearing type) (Aisi 420).

Spring:

W835:

Harmonic steel spring.

W835CIN:

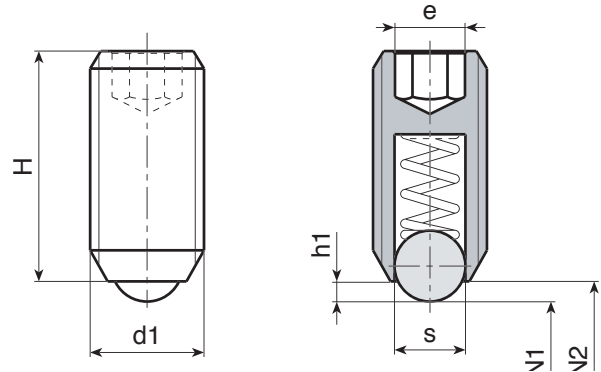
Stainless steel spring (Aisi 301).

Type of spring thrust:

Stronger.

Special requests:

- None.



Version W835: black-oxide treated steel

Code	art.	s	H	h1	N1 (N)	N2 (N)	d1 _{6H}	g
W835.0011	W835.VBM03	1.5	9	0.5	12	22	M4	0.2
W835.0012	W835.VBM04	2.5	10	0.8	12	22	M4	0.4
W835.0013	W835.VBM05	3	14	0.9	19	30	M5	1.2
W835.0014	W835.VBM06	3.5	15	1	28	40	M6	2
W835.0015	W835.VBM08	5	18	1.5	47	73	M8	4
W835.0018	W835.VBM10	6	23	2	66	100	M10	8
W835.0019	W835.VBM12	8	26	2.5	66	120	M12	12
W835.0020	W835.VBM16	10	33	3.5	90	180	M16	31
W835.0021	W835.VBM20	12	43	4.5	115	240	M20	64
W835.0022	W835.VBM24	15	48	5.5	130	270	M24	100

Version W835CIN - stainless steel (Aisi 303)

INOX

Code	art.	s	H	h1	N1 (N)	N2 (N)	d1 _{6H}	g
W835.0001	W835.INM03CIN	1.5	9	0.5	12	22	M3	0.2
W835.0002	W835.INM04CIN	2.5	10	0.8	12	22	M4	0.4
W835.0003	W835.INM05CIN	3	14	0.9	12	30	M5	1.2
W835.0004	W835.INM06CIN	3.5	15	1	28	40	M6	2
W835.0005	W835.INM08CIN	5	18	1.5	47	73	M8	4
W835.0006	W835.INM10CIN	6	23	2	66	100	M10	8
W835.0007	W835.INM12CIN	8	26	2.5	66	120	M12	12
W835.0008	W835.INM16CIN	10	33	3.5	90	180	M16	31
W835.0009	W835.INM20CIN	12	43	4.5	115	240	M20	64
W835.0010	W835.INM24CIN	15	48	5.5	130	270	M24	100

W832



THREADED STEEL SPRING PLUNGER WITH SLOTTED END AND NOSE PIN

Materials:

W832:

Steel plunger body with property class 5.8.

W832CIN:

Stainless steel plunger body (Aisi 303).

Surface finish:

Smooth.

Colour:

W832:

Black-oxide treated.

W832CIN:

Natural.

Nose pin:

W832:

Turned hardened and black-oxide treated steel nose pin.

W832CIN:

Turned stainless steel nose pin (Aisi 303).

Spring:

W832:

Harmonic steel spring.

W832CIN:

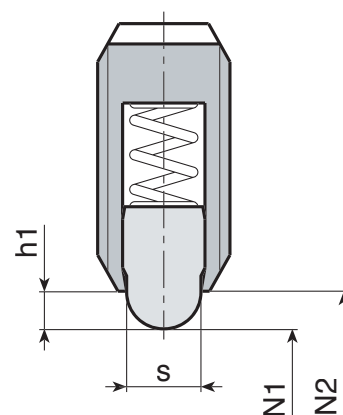
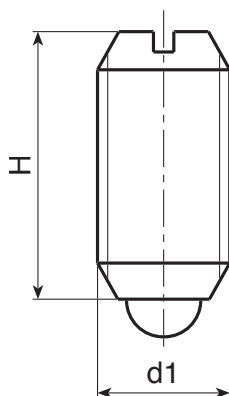
Stainless steel spring (Aisi 301).

Type of spring thrust:

Normal.

Special requests:

- None.



Version W832: black-oxide treated steel

Code	art.	s	H	h1	N1 (N)	N2 (N)	d1 _{6H}	g
W832.0009	W832.VBM04	1.8	9	1.5	6	20	M4	0.5
W832.0010	W832.VBM05	2.4	12	2	6	20	M5	1
W832.0011	W832.VBM06	2.7	14	2	7	20	M6	1.7
W832.0012	W832.VBM08	4	16	2	15	30	M8	4
W832.0013	W832.VBM10	4.5	19	2.5	20	35	M10	7
W832.0014	W832.VBM12	6	22	3.5	30	55	M12	13
W832.0015	W832.VBM16	8.5	24	4.5	45	100	M16	24
W832.0016	W832.VBM20	10	30	6.5	60	120	M20	46

Version W832CIN - stainless steel (Aisi 303)



Code	art.	s	H	h1	N1 (N)	N2 (N)	d1 _{6H}	g
W832.0001	W832.INM04CIN	1.8	9	1.5	6	20	M4	0.5
W832.0002	W832.INM05CIN	2.4	12	2	6	20	M5	1
W832.0003	W832.INM06CIN	2.7	14	2	7	20	M6	1.7
W832.0004	W832.INM08CIN	4	16	2	15	30	M8	4
W832.0005	W832.INM10CIN	4.5	19	2.5	20	35	M10	7
W832.0006	W832.INM12CIN	6	22	3.5	30	55	M12	13
W832.0007	W832.INM16CIN	8.5	24	4.5	45	100	M16	24
W832.0008	W832.INM20CIN	10	30	6.5	60	120	M20	46

W833



C40

Aisi 303



THREADED STEEL SPRING PLUNGER WITH SLOTTED END AND NOSE PIN - STRONGER THRUST

Materials:

W833:

Steel plunger body with property class 5.8.

W833CIN:

Stainless steel plunger body (Aisi 303).

Surface finish:

Smooth.

Colour:

W833:

Black-oxide treated.

W833CIN:

Natural.

Nose pin:

W833:

Turned hardened and black-oxide treated steel nose pin.

W833CIN:

Turned stainless steel nose pin (Aisi 303).

Spring:

W833:

Harmonic steel spring.

W833CIN:

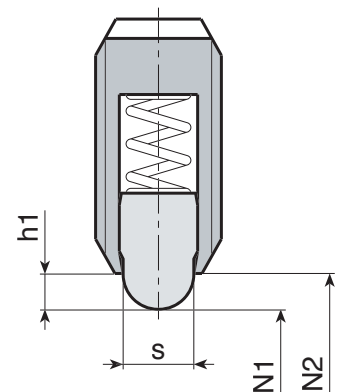
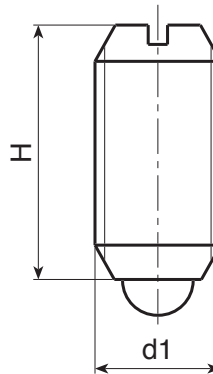
Stainless steel spring (Aisi 301).

Type of spring thrust:

Stronger.

Special requests:

- None.



Version W833: black-oxide treated steel

Code	art.	s	H	h1	N1 (N)	N2 (N)	d1 _{6H}	g
W833.0009	W833.VBM05	2.4	12	2	9	25	M5	1
W833.0010	W833.VBM06	2.7	14	2	11	25	M6	1.7
W833.0011	W833.VBM08	4	16	2	22	43	M8	4
W833.0013	W833.VBM10	4.5	19	2.5	20	54	M10	7
W833.0014	W833.VBM12	6	22	3.5	36	94	M12	13
W833.0015	W833.VBM16	8.5	24	4.5	60	110	M16	24

Version W833 CIN - stainless steel (Aisi 303).

INOX

Code	art.	s	H	h1	N1 (N)	N2 (N)	d1 _{6H}	g
W833.0002	W833.INM05CIN	2.4	12	2	9	25	M5	1
W833.0003	W833.INM06CIN	2.7	14	2	11	25	M6	1.7
W833.0004	W833.INM08CIN	4	16	2	22	43	M8	4
W833.0005	W833.INM10CIN	4.5	19	2.5	20	54	M10	7
W833.0006	W833.INM12CIN	6	22	3.5	36	94	M12	13
W833.0007	W833.INM16CIN	8.5	24	4.5	60	110	M16	24

W836



THREADED STEEL SPRING PLUNGER WITH HEXAGON SOCKET END AND NOSE PIN

Materials:

W836:

Steel plunger body with property class 5.8.

W836CIN:

Stainless steel plunger body (Aisi 303).

Surface finish:

Smooth.

Colour:

W836:

Black-oxide treated.

W836CIN:

Natural.

Nose pin:

W836:

Turned hardened and black-oxide treated steel nose pin.

W836CIN:

Turned stainless steel nose pin (Aisi 303).

Spring:

W836:

Harmonic steel spring.

W836CIN:

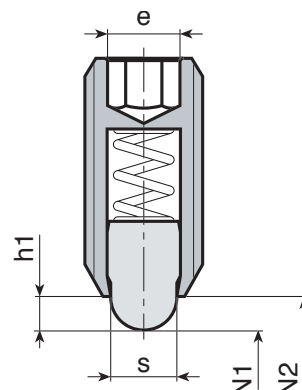
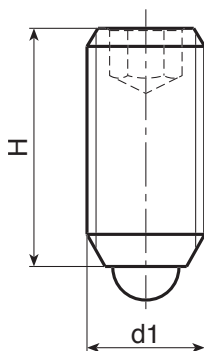
Stainless steel spring (Aisi 301).

Type of spring thrust:

Normal.

Special requests:

- None.



Version W836: black-oxide treated steel

Code	art.	s	H	h1	N1 (N)	N2 (N)	d1 _{6H}	g
W836.0011	W836.VBM05	2.4	14	2	5	13	M5	1.1
W836.0012	W836.VBM06	2.7	15	2	6	17	M6	2
W836.0013	W836.VBM08	3.8	18	2	16	33	M8	4
W836.0014	W836.VBM10	4.5	23	2.5	19	42	M10	8
W836.0015	W836.VBM12	6.2	26	3.5	22	57	M12	12
W836.0016	W836.VBM16	8.5	33	4.5	38	78	M16	31
W836.0017	W836.VBM20	10	43	6.5	39	81	M20	64
W836.0018	W836.VBM24	13	48	8	72	155	M24	100

Version W836CIN - stainless steel (Aisi 303)



Code	art.	s	H	h1	N1 (N)	N2 (N)	d1 _{6H}	g
W836.0002	W836.INM05CIN	2.4	14	2	5	13	M5	1.1
W836.0003	W836.INM06CIN	2.7	15	2	6	17	M6	2
W836.0004	W836.INM08CIN	3.8	18	2	16	33	M8	4
W836.0005	W836.INM10CIN	4.5	23	2.5	19	42	M10	8
W836.0006	W836.INM12CIN	6.2	26	3.5	22	57	M12	12
W836.0007	W836.INM16CIN	8.5	33	4.5	38	78	M16	31
W836.0008	W836.INM20CIN	10	43	6.5	39	81	M20	64
W836.0009	W836.INM24CIN	13	48	8	72	155	M24	100

W840



THREADED STEEL SPRING PLUNGER WITH GRUB SCREW AND NOSE PIN

Materials:

W840:

Steel plunger body with property class 5.8.

W840CIN:

Stainless steel plunger body (Aisi 303).

Surface finish:

Smooth.

Colour:

W840:

Black-oxide treated.

W840CIN:

Natural.

Nose pin:

W840:

(1) Turned hardened and black-oxide treated steel nose pin.

W840CIN:

(1) Turned stainless steel nose pin (Aisi 303).

Spring:

W840:

(3) Harmonic steel spring.

W840CIN:

(3) Stainless steel spring (Aisi 301).

Grub screw:

W840:

(2) Black-oxide treated steel grub screw with hexagon socket head (attention: the grub screw is glued in place).

W840CIN:

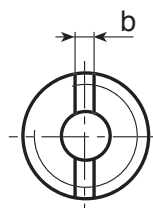
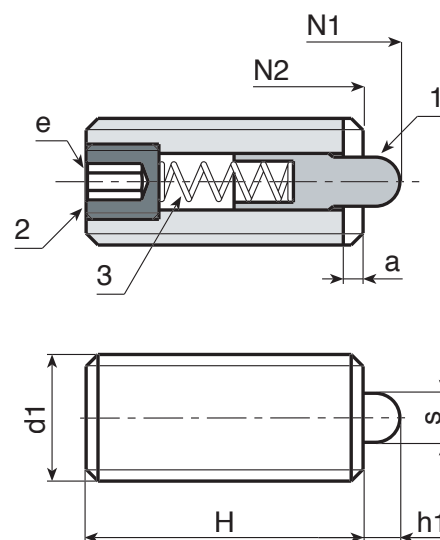
(2) Stainless steel grub screw (Aisi 303) with hexagon socket head (attention: the grub screw is glued in place).

Type of spring thrust:

Normal.

Special requests:

- None.



Version W840: black-oxide treated steel

Code	art.	s	H	h1	e	a	b	N1 (N)	N2 (N)	d1 _{6H}	g
W840.0010	W840.VBM04	1.5	15	1.5	1.3	0.6	0.6	5	16	M4	0.8
W840.0011	W840.VBM05	2.4	18	2.3	1.5	0.8	0.8	6	20	M5	1.3
W840.0012	W840.VBM06	2.7	20	2.5	2	1	1	7	20	M6	2.5
W840.0013	W840.VBM08	3.5	22	3	2.5	1.4	1.2	9	35	M8	6
W840.0014	W840.VBM10	4	22	3	3	1.4	1.6	9	35	M10	9
W840.0015	W840.VBM12	6	28	4	4	2	2	10	55	M12	16
W840.0016	W840.VBM16	7.5	32	5	5	2.5	2.5	45	100	M16	35
W840.0017	W840.VBM20	10	40	7	6	3	2.5	60	120	M20	65
W840.0018	W840.VBM24	12	52	10	8	3	2.5	80	160	M24	122

Version W840CIN - stainless steel (Aisi 303)

Code	art.	s	H	h1	e	a	b	N1 (N)	N2 (N)	d1 _{6H}	g
W840.0002	W840.INM05CIN	2.4	18	2.3	1.5	0.8	0.8	6	20	M5	1.3
W840.0003	W840.INM06CIN	2.7	20	2.5	2	1	1	7	20	M6	2.5
W840.0004	W840.INM08CIN	3.5	22	3	2.5	1.4	1.2	9	35	M8	6
W840.0005	W840.INM10CIN	4	22	3	3	1.4	1.6	9	35	M10	9
W840.0006	W840.INM12CIN	6	28	4	4	2	2	10	55	M12	16
W840.0007	W840.INM16CIN	7.5	32	5	5	2.5	2.5	45	100	M16	35



W842



THREADED STEEL SPRING PLUNGER WITH GRUB SCREW AND PLASTIC NOSE PIN

Materials:

W840:

Steel plunger body with property class 5.8.

W840CIN:

Stainless steel plunger body (Aisi 303).

Surface finish:

Smooth.

Colour:

W840:

Black-oxide treated.

W840CIN:

Natural.

Nose pin:

W840:

(1) Turned hardened and black-oxide treated steel nose pin.

W840CIN:

(1) Turned stainless steel nose pin (Aisi 303).

Spring:

W840:

(3) Harmonic steel spring.

W840CIN:

(3) Stainless steel spring (Aisi 301).

Grub screw:

W840:

(2) Black-oxide treated steel grub screw with hexagon socket head (attention: the grub screw is glued in place).

W840CIN:

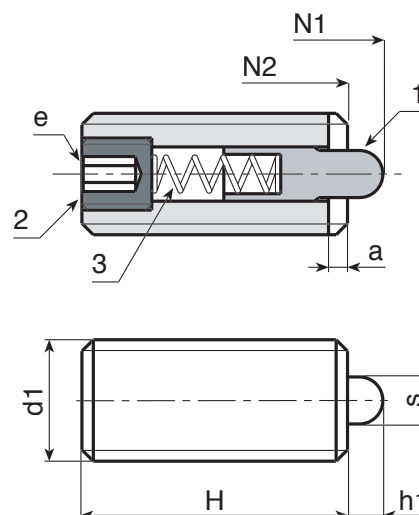
(2) Stainless steel grub screw (Aisi 303) with hexagon socket head (attention: the grub screw is glued in place).

Type of spring thrust:

Normal.

Special requests:

- None.



Version W842: black-oxide treated steel

Code	art.	s	H	h1	e	a	b	N1 (N)	N2 (N)	d1 _{6H}	g
W842.0008	W842.VBM04	1.5	15	1.5	1.3	0.6	0.6	5	16	M4	0.8
W842.0009	W842.VBM05	2.4	18	2.3	1.5	0.8	0.8	6	20	M5	1.3
W842.0010	W842.VBM06	2.7	20	2.5	2	1	1	7	20	M6	2.5
W842.0011	W842.VBM08	3.5	22	3	2.5	1.4	1.2	9	35	M8	6
W842.0012	W842.VBM10	4	22	3	3	1.4	1.6	9	35	M10	9
W842.0013	W842.VBM12	6	28	4	4	2	2	10	55	M12	16
W842.0014	W842.VBM16	7.5	32	5	5	2.5	2.5	45	100	M16	35

Version W842CIN - stainless steel (Aisi 303)

INOX

Code	art.	s	H	h1	e	a	b	N1 (N)	N2 (N)	d1 _{6H}	g
W842.0001	W842.INM04CIN	1.5	15	1.5	1.3	0.6	0.6	5	16	M4	0.8
W842.0002	W842.INM05CIN	2.4	18	2.3	1.5	0.8	0.8	6	20	M5	1.3
W842.0003	W842.INM06CIN	2.7	20	2.5	2	1	1	7	20	M6	2.5
W842.0004	W842.INM08CIN	3.5	22	3	2.5	1.4	1.2	9	35	M8	6
W842.0005	W842.INM10CIN	4	22	3	3	1.4	1.6	9	35	M10	9
W842.0006	W842.INM12CIN	6	28	4	4	2	2	10	55	M12	16
W842.0007	W842.INM16CIN	7.5	32	5	5	2.5	2.5	45	100	M16	35

W850

UPDATE



INOX

SMOOTH STAINLESS STEEL BALL PLUNGER

Materials:

Stainless steel plunger body (Aisi 303).

Colour:

Body:
Natural.

Ball:

W850CIN:
Natural.

W850POM:
White.

White.

Ball:

W850CIN:
Hardened stainless steel ball (Aisi 420).

W850POM:
White moulded plastic ball (POM).

Type of spring thrust:

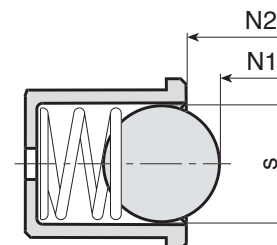
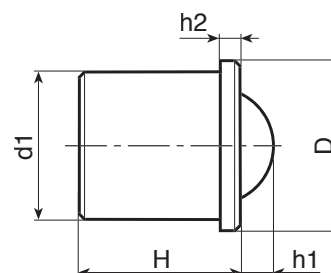
Normal.

Spring:

Stainless steel spring (Aisi 301).

Special requests:

- None.



Version W850CIN: with stainless steel ball (Aisi 303)

Code	art.	s	H	h1	h2	D	N1 (N)	N2 (N)	d1(+0.08+0)	g
W850.0001	W850.IND03CIN	2.5	4	0.65	0.8	3.5	1.7	3.5	3	0.2
W850.0003	W850.IND04CIN	3	5	0.8	1	4.6	3	7	4	0.3
W850.0005	W850.IND05CIN	4	6	1	1	5.6	4	7	5	0.6
W850.0007	W850.IND06CIN	5	7	1.5	1	6.5	6	12	6	1
W850.0009	W850.IND08CIN	6.5	9	1.8	1	8.5	6	12	8	2
W850.0011	W850.IND10CIN	8	13.5	2.7	2.5	12	10	20	10	6
W850.0013	W850.IND12CIN	10	16	3.5	2.5	14	15	25	12	10

Version W850POM: with plastic ball (Delrin)

Code	art.	s	H	h1	h2	D	N1 (N)	N2 (N)	d1(+0.08+0)	g
W850.0022	W850.IND04POM	3	5	0.8	1	4.6	3	7	4	0.3
W850.0023	W850.IND05POM	4	6	1	1	5.6	4	7	5	0.6
W850.0024	W850.IND06POM	5	7	1.5	1	6.5	6	12	6	1
W850.0025	W850.IND08POM	6.5	9	1.8	1	8.5	6	12	8	2
W850.0026	W850.IND10POM	8	13.5	2.7	2.5	12	10	20	10	6
W850.0027	W850.IND12POM	10	16	3.5	2.5	14	15	25	12	10

W846

UPDATE



POM

UL94
HB



SMOOTH PLASTIC SPRING PLUNGER WITH PLASTIC OR STAINLESS STEEL BALL

Materials:

Moulded plastic plunger body (POM - Delrin).

Colour:

Body:

Black.

Ball:

W846: White.

W846CIN: Natural.

Ball:

W846:

White moulded plastic ball (POM).

W846CIN:

Hardened stainless steel ball (Aisi 420).

Type of spring thrust:

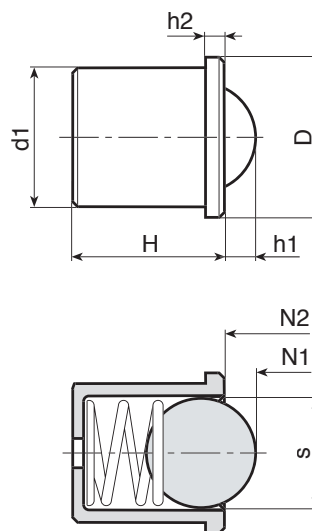
Normal.

Spring:

Stainless steel spring (Aisi 301).

Special requests:

- None.



Version W846: with plastic ball (Delrin)

Code	art.	s	H	h1	h2	D	N1 (N)	N2 (N)	d1(+0.1+0)	g
W846.0001	W846.TND04	3	5	0.7	1	4.6	3	7	4	0.2
W846.0002	W846.TND05	4	6	1	1	5.6	4	7	5	0.35
W846.0003	W846.TND06	5	7	1.5	1	6.5	6	12	6	0.7
W846.0004	W846.TND08	6.5	9	1.8	1	8.5	6	12	8	1.5
W846.0005	W846.TND10	8	13.5	2.7	2.5	12	10	20	10	2
W846.0006	W846.TND12	10	16	3.5	2.5	14	15	25	12	2.3

Version W846CIN: with stainless steel ball

Code	art.	s	H	h1	h2	D	N1 (N)	N2 (N)	d1(+0.1+0)	g
W846.0007	W846.TND04CIN	3	5	0.7	1	4.6	3	7	4	0.2
W846.0008	W846.TND05CIN	4	6	1	1	5.6	4	7	5	0.4
W846.0009	W846.TND06CIN	5	7	1.5	1	6.5	6	12	6	0.7
W846.0010	W846.TND08CIN	6.5	9	1.8	1	8.5	6	12	8	1.6
W846.0011	W846.TND10CIN	8	13.5	2.7	2.5	12	10	20	10	3
W846.0012	W846.TND12CIN	10	16	3.5	2.5	14	15	25	12	6

W600CIN

SMOOTH FULL STAINLESS STEEL BALL PLUNGER WITHOUT COLLAR



INOX

Materials:

Stainless steel plunger body (Aisi 303).

Surface finish:

Smooth.

Colour:

Natural stainless steel.

Ball:

Hardened stainless steel ball (Aisi 420).

Type of spring thrust:

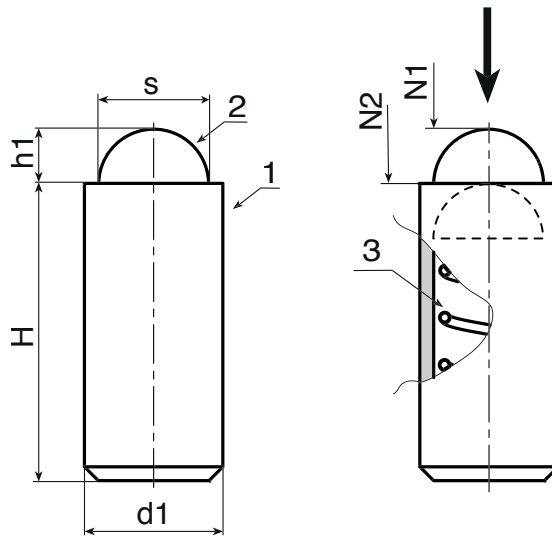
Normal.

Spring:

Stainless steel spring (Aisi 301).

Special requests:

- None.



INOX

Code	art.	s	H	h1	N1 (N)	N2 (N)	d1(+0.02 -0.06)	g
W600.0001	W600.IND03CIN	2	7	0.65	5	7	3	0.4
W600.0002	W600.IND04CIN	3	9	0.8	12	22	4	0.6
W600.0003	W600.IND05CIN	4	12	1	19	30	5	1.2
W600.0004	W600.IND06CIN	5	14	1.5	22	40	6	2
W600.0005	W600.IND08CIN	6	16	1.8	42	73	8	5
W600.0006	W600.IND10CIN	8	22	2.7	54	100	10	9
W600.0007	W600.IND12CIN	10	24	3.2	54	122	12	15

W610

SMOOTH BRASS DOUBLE BALL SPRING PLUNGER



Materials:

Plunger body in turned brass.

Ball:

Hardened stainless steel ball (Aisi 420).

Type of spring thrust:

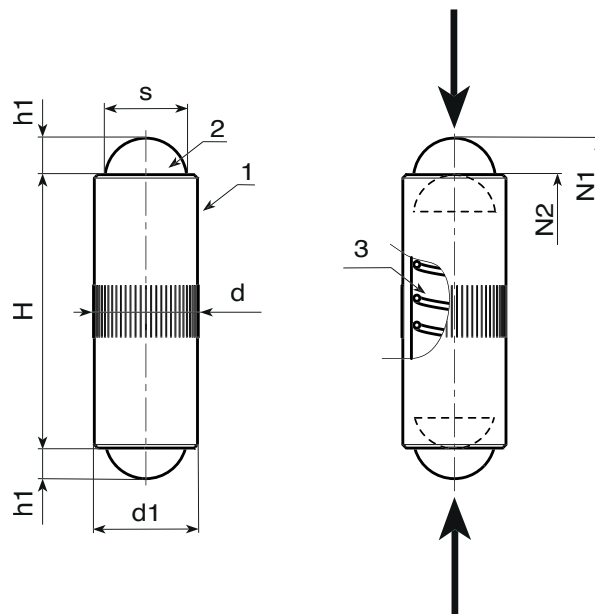
Normal.

Spring:

Stainless steel spring (Aisi 301).

Special requests:

- None.



21

Code	art.	s	H(+0 -0.2)	h1	d(+0.05 -0)	N1 (N)	N2 (N)	d1	g
W610.0001	W610.OND04	3	10	0.9	4.05	3	7	4	0.7
W610.0002	W610.OND05	4	12	1.2	5.05	4	8	5	1.3
W610.0003	W610.OND06	5	16	1.6	6.05	6	10	6	2.4
W610.0004	W610.OND08	6	20	2	8.05	8	12	8	5.8
W610.0005	W610.OND10	8	24	2.9	10.05	10	16	10	10.5



W605



POM

Aisi 303

UL94 HB



SMOOTH STAINLESS STEEL BALL PLUNGER WITH PLASTIC OR STEEL NOSE PIN

INOX

Materials:

Stainless steel plunger body (Aisi 303).

Surface finish:

Smooth.

Colour:

Body:
Natural.

Nose pin:

W605POM:
Natural white.

W605CIN:
Natural.

Nose pin:

W605POM:
Plastic nose pin (POM - Delrin).

W605CIN:
Turned stainless steel nose pin (Aisi 303).

W605POM:

Plastic nose pin (POM - Delrin).

W605CIN:

Turned stainless steel nose pin (Aisi 303).

Type of spring thrust:

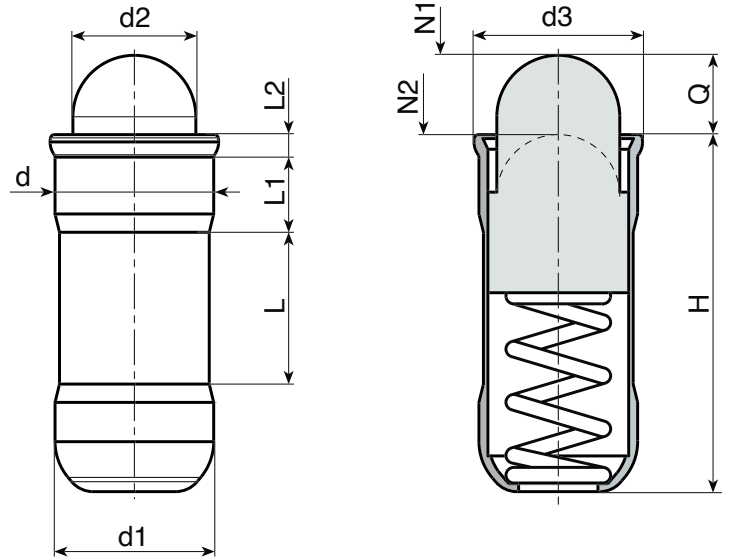
Normal.

Spring:

Stainless steel spring (Aisi 301).

Special requests:

- None.



Version W605POM: with white plastic nose pin (POM)

Code	art.	d+0,1	d2	d3	H	L	L1	L2	N1 (N)	N2 (N)	d1(±0.05)	Q	g
W605.0002	W605.IND04POM	4	2,8	4,6	10,7	5,6	1,8	0,9	3	8,2	4	2,7	1
W605.0004	W605.IND05POM	5	3,8	5,6	12	6	2,1	0,9	3,3	9	5	4	1
W605.0006	W605.IND06POM	6	4,8	6,5	15	8,2	2,3	1	6,1	12	6	5,5	1,1
W605.0008	W605.IND08POM	8	6,2	8,5	18	9,5	2,9	1,1	10,7	17	8	6,5	2,3
W605.0010	W605.IND10POM	10	8	11	26	14,3	4,2	1,5	16,2	29	10	8	5

Version W605CIN: with stainless steel nose pin (Aisi303)

Code	art.	d+0,1	d2	d3	H	L	L1	L2	N1 (N)	N2 (N)	d1(±0.05)	Q	g
W605.0001	W605.IND04CIN	4	2,8	4,6	10,7	5,6	1,8	0,9	3	8,2	4	2,7	0,7
W605.0003	W605.IND05CIN	5	3,8	5,6	12	6	2,1	0,9	3,3	9	5	4	1,2
W605.0005	W605.IND06CIN	6	4,8	6,5	15	8,2	2,3	1	6,1	12	6	5,5	2,2
W605.0007	W605.IND08CIN	8	6,2	8,5	18	9,5	2,9	1,1	10,7	17	8	6,5	4,2
W605.0009	W605.IND10CIN	10	8	11	26	14,3	4,2	1,5	16,2	29	10	8	9

W620

SCREW-TYPE SPRING BALL PLUNGER



Materials:

W620:

Turned free-cutting steel screw, with hexagon socket head.

W620CIN:

Turned stainless steel screw (Aisi 303), with hexagon socket head.

Surface finish:

Smooth.

Colour:

W620:

Black-oxide treated.

W620CIN:

Natural.

Ball:

Hardened stainless steel ball (Aisi 420).

Spring:

Stainless steel spring (Aisi 301).

Type of spring thrust:

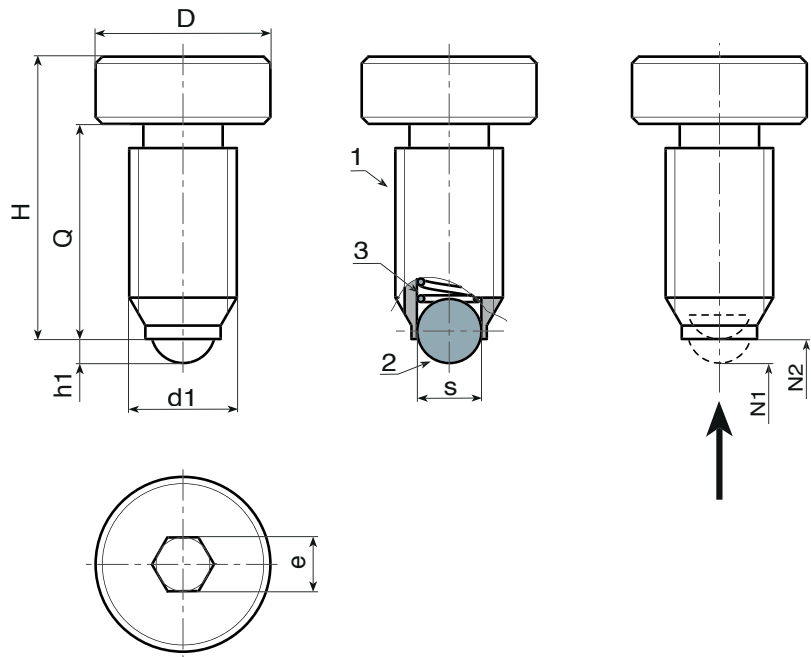
Normal.

Special requests:

- None.



21



Version W620 - black-oxide treated steel

Code	art.	D(+0-0.2)	H	h1	e	s	N1 (N)	N2 (N)	d1 _{6g}	Q	
W620.0005	W620.VBM06X12	10	16	1	3	3.5	9	9	M6	12	4
W620.0006	W620.VBM08X16	13	21	1.5	4	5	15	15	M8	16	9
W620.0007	W620.VBM10X20	16	26	2	5	6	20	20	M10	20	17
W620.0008	W620.VBM12X25	18	32	2.5	6	8	30	30	M12	25	27

Version W620 CIN - stainless steel (Aisi 303)



Code	art.	D(+0-0.2)	H	h1	e	s	N1 (N)	N2 (N)	d1 _{6g}	Q	
W620.0001	W620.INM06X12CIN	10	16	1	3	3.5	9	9	M6	12	4
W620.0002	W620.INM08X16CIN	13	21	1.5	4	5	15	15	M8	16	9
W620.0003	W620.INM10X20CIN	16	26	2	5	6	20	20	M10	20	17
W620.0004	W620.INM12X25CIN	18	32	2.5	6	8	30	30	M12	25	27



W622

LONG SMOOTH STEEL SPRING PLUNGER WITH HEAD



Materials:

(2) Plunger body in free-cutting steel.

Surface finish:

Smooth.

Colour:

Black-oxide treated.

Nose pin:

Hardened steel nose pin.

Type of spring thrust:

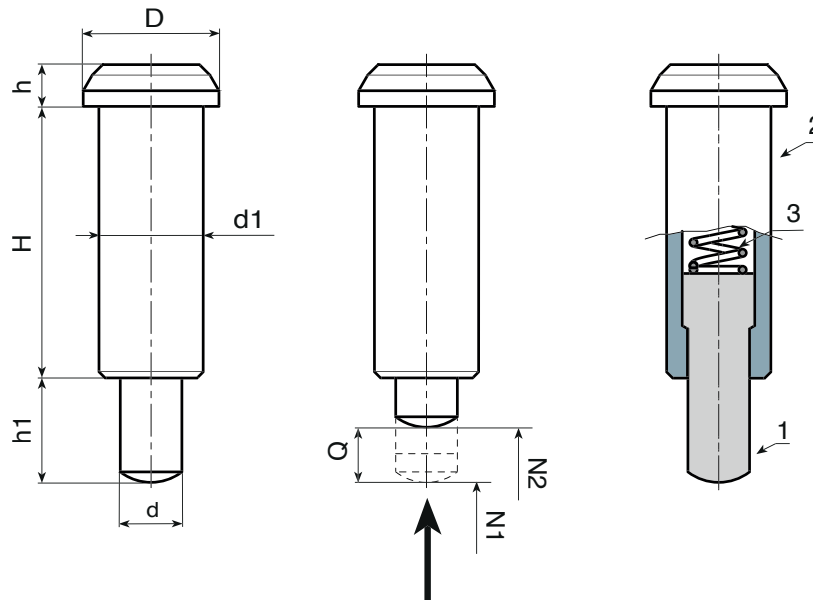
Normal.

Spring:

Harmonic steel spring.

Special requests:

- None.



Code	art.	D	H	h1	h	d	N1 (N)	N2 (N)	d1(+0 -0.08)	g
W622.0001	W622.VBD08	10	20.8	8	3.2	3.95	30	90	8	8
W622.0002	W622.VBD10	13	26	10	4	5.95	42	110	10	14
W622.0003	W622.VBD12	16	31	12	5	7.95	50	130	12	26

W624



LONG THREADED STEEL SPRING PLUNGER WITH NOSE PIN

Materials:

Turned and threaded plunger body made of steel with strength class 5.8.

Surface finish:

Smooth.

Colour:

Black-oxide treated.

Nose pin:

Turned point made of high-resistance hardened steel.

Spring:

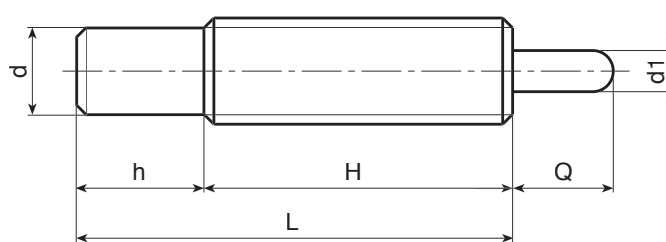
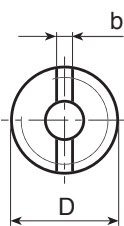
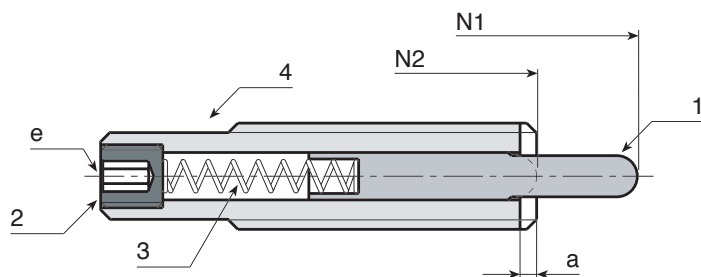
Harmonic steel spring.

Type of spring thrust:

Normal.

Special requests:

- None.



21

Code	art.	L	D	H	h	d	a	b	e	d1	Q	\bar{g}	N1 (N)	N2 (N)
W624030.0001	W624030.VBM08Q03.5X06	30	M08	20	10	6.2	1.4	1.2	2.5	3.5	6	9	8	20
W624040.0001	W624040.VBM08Q03.5X08	40	M08	20	20	6.2	1.4	1.2	2.5	3.5	8	10	10	28
W624050.0001	W624050.VBM08Q03.5X10	50	M08	20	30	6.2	1.4	1.2	2.5	3.5	10	10	12	38
W624060.0001	W624060.VBM08Q03.5X15	60	M08	20	40	6.2	1.4	1.2	2.5	3.5	15	14	15	48
W624040.0002	W624040.VBM10Q04X08	40	M10	30	10	8	1.4	1.6	3	4	8	15	12	30
W624050.0002	W624050.VBM10Q04X10	50	M10	30	20	8	1.4	1.6	3	4	10	18	16	46
W624060.0002	W624060.VBM10Q04X15	60	M10	30	30	8	1.4	1.6	3	4	15	21	20	55
W624080.0001	W624080.VBM10Q04X20	80	M10	30	50	8	1.4	1.6	3	4	20	28	25	65
W624050.0003	W624050.VBM12Q06X10	50	M12	30	20	9.6	2	2	4	6	10	28	20	50
W624060.0003	W624060.VBM12Q06X15	60	M12	30	30	9.6	2	2	4	6	15	31	25	76
W624080.0002	W624080.VBM12Q06X20	80	M12	30	50	9.6	2	2	4	6	20	40	35	102
W624100.0001	W624100.VBM12Q06X25	100	M12	30	70	9.6	2	2	4	6	25	47	40	102
-	W624060.VBM16Q07.5X12	60	M16	30	30	13.4	2.5	2.5	5	7.5	12	63	30	64
W624080.0003	W624080.VBM16Q07.5X10	80	M16	30	50	13.4	2.5	2.5	5	7.5	10	80	30	110
-	W624100.VBM16Q07.5X30	100	M16	30	70	13.4	2.5	2.5	5	7.5	30	100	30	120
-	W624120.VBM16Q07.5X40	120	M16	30	90	13.4	2.5	2.5	5	7.5	40	118	20	130



THE BEST IDEAS ARE HIDDEN IN THE DEPTHS.



W612

W613



LATERAL ALUMINIUM SPRING PLUNGER

Versions:

- W612: Lateral spring plunger with galvanised steel nose pin.
- W613: Lateral spring plunger with galvanised steel nose pin and seal.
- W614: Lateral spring plunger with POM nose pin.
- W615: Lateral spring plunger with POM nose pin and seal.

Materials:

- All:
- (1) Turned aluminium plunger body.
 - (3) Stainless steel spring (Aisi 302).
 - (4) Black seal (W613-W615).

Versions W612-W613

- (2) Hardened steel nose pin.

Versions W614-W615

- (2) White plastic nose pin (POM - Delrin).

Surface finish:

Smooth.

Colour:

- (1,3) Natural.
- (2) W612-W613: Galvanized.
- (2) W614-W615: Natural white.

ATTENTION:

We recommend the plunger hole to be made with a +0.1 mm tolerance.

ATTENTION:

The plunger mount bush can be ordered separately. See the code no. on the product line. Turned galvanised free-cutting steel bush.

Special requests:

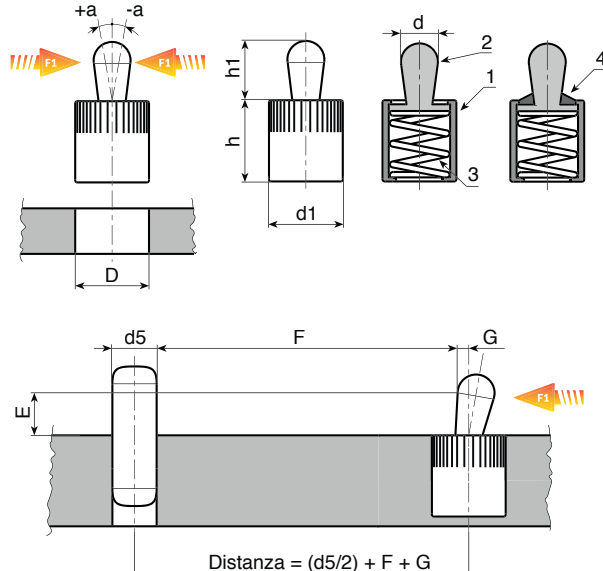
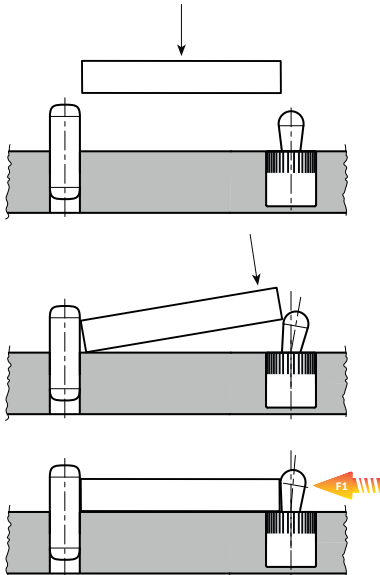
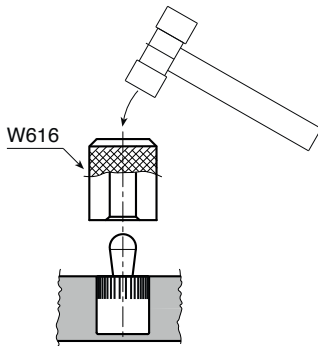
- None.



W612



W613



W614

W615

LATERAL ALUMINIUM SPRING PLUNGER



W614



W615

Version W612: Lateral spring plunger with steel nose pin

Code	art.	d1	d	h	h1	D	a	F1(N)	G	E=1	G	E=2	G	E=3	G	E=4,5	G	E=6	G	E=8	g	Bush
W612006.0001	W612006.VZD03F010	6	3	7	4	6,1	0,5	10	0,8	1	1	1	1	1	1	1	1	1	1	1	0,6	W616.03
W612006.0002	W612006.VZD03F020	6	3	7	4	6,1	0,5	20	0,8	1	1	1	1	1	1	1	1	1	1	1	0,7	W616.03
W612006.0003	W612006.VZD03F040	6	3	7	4	6,1	0,5	40	0,8	1	1	1	1	1	1	1	1	1	1	1	1,3	W616.03
W612010.0001	W612010.VZD05F020	10	5	11	6,7	10,1	0,8	20	-	1,5	1,7	1,7	1,7	1,7	1,7	1,7	1,7	1,7	1,7	1,7	2,5	W616.05
W612010.0002	W612010.VZD05F050	10	5	11	6,7	10,1	0,8	50	-	1,5	1,7	1,7	1,7	1,7	1,7	1,7	1,7	1,7	1,7	1,7	2,8	W616.05
W612010.0003	W612010.VZD05F100	10	5	11	6,7	10,1	0,8	100	-	1,5	1,7	1,7	1,7	1,7	1,7	1,7	1,7	1,7	1,7	1,7	3	W616.05
W612010.0004	W612010.VZD06F040	10	6	11	10,7	10,1	1	40	-	-	-	1,7	1,9	1,9	1,9	1,9	1,9	1,9	1,9	1,9	3,5	W616.06
W612010.0005	W612010.VZD06F075	10	6	11	10,7	10,1	1	75	-	-	-	1,7	1,9	1,9	1,9	1,9	1,9	1,9	1,9	1,9	3,6	W616.06
W612010.0006	W612010.VZD06F100	10	6	11	10,7	10,1	1	100	-	-	-	1,7	1,9	1,9	1,9	1,9	1,9	1,9	1,9	1,9	3,6	W616.06
W612012.0001	W612012.VZD08F050	12	8	13	13,9	12,1	1,3	50	-	-	-	-	2,5	2,7	2,7	2,7	2,7	2,7	2,7	2,7	6,8	W616.08
W612012.0002	W612012.VZD08F100	12	8	13	13,9	12,1	1,3	100	-	-	-	-	2,5	2,7	2,7	2,7	2,7	2,7	2,7	2,7	7,4	W616.08
W612012.0003	W612012.VZD08F150	12	8	13	13,9	12,1	1,3	150	-	-	-	-	2,5	2,7	2,7	2,7	2,7	2,7	2,7	2,7	7,8	W616.08
W612016.0001	W612016.VZD10F100	16	10	17	16,7	16,1	1,6	100	-	-	-	-	-	-	-	-	-	3,1	14,7	14,7	14,7	W616.10
W612016.0002	W612016.VZD10F150	16	10	17	16,7	16,1	1,6	150	-	-	-	-	-	-	-	-	-	3,1	14,8	14,8	14,8	W616.10
W612016.0003	W612016.VZD10F200	16	10	17	16,7	16,1	1,6	200	-	-	-	-	-	-	-	-	-	3,1	15,7	15,7	15,7	W616.10

Version W613: Lateral spring plunger with steel nose pin with seal

Code	art.	d1	d	h	h1	D	a	F1(N)	G	E=1	G	E=2	G	E=3	G	E=4,5	G	E=6	G	E=8	g	Bush
W613006.0001	W613006.VZD03F010	6	3	7	4	6,1	0,5	10	0,8	1	1	1	1	1	1	1	1	1	1	1	0,6	W616.03
W613006.0002	W613006.VZD03F020	6	3	7	4	6,1	0,5	20	0,8	1	1	1	1	1	1	1	1	1	1	1	0,7	W616.03
W613006.0003	W613006.VZD03F040	6	3	7	4	6,1	0,5	40	0,8	1	1	1	1	1	1	1	1	1	1	1	1,4	W616.03
W613010.0001	W613010.VZD05F020	10	5	11	6,7	10,1	0,8	20	-	1,5	1,7	1,7	1,7	1,7	1,7	1,7	1,7	1,7	1,7	1,7	2,6	W616.05
W613010.0002	W613010.VZD05F050	10	5	11	6,7	10,1	0,8	50	-	1,5	1,7	1,7	1,7	1,7	1,7	1,7	1,7	1,7	1,7	1,7	2,8	W616.05
W613010.0003	W613010.VZD05F100	10	5	11	6,7	10,1	0,8	100	-	1,5	1,7	1,7	1,7	1,7	1,7	1,7	1,7	1,7	1,7	1,7	3	W616.05
W613010.0004	W613010.VZD06F040	10	6	11	10,7	10,1	1	40	-	-	-	1,7	1,9	1,9	1,9	1,9	1,9	1,9	1,9	1,9	3,4	W616.06
W613010.0005	W613010.VZD06F075	10	6	11	10,7	10,1	1	75	-	-	-	1,7	1,9	1,9	1,9	1,9	1,9	1,9	1,9	1,9	3,7	W616.06
W613012.0001	W613012.VZD08F050	12	8	13	13,9	12,1	1,3	50	-	-	-	-	2,5	2,7	2,7	2,7	2,7	2,7	2,7	2,7	6,8	W616.08
W613012.0002	W613012.VZD08F100	12	8	13	13,9	12,1	1,3	100	-	-	-	-	2,5	2,7	2,7	2,7	2,7	2,7	2,7	2,7	7,4	W616.08
W613012.0003	W613012.VZD08F150	12	8	13	13,9	12,1	1,3	150	-	-	-	-	2,5	2,7	2,7	2,7	2,7	2,7	2,7	2,7	7,8	W616.08
W613016.0001	W613016.VZD10F100	16	10	17	16,7	16,1	1,6	100	-	-	-	-	-	-	-	-	-	3,1	15,1	15,1	15,1	W616.10
W613016.0002	W613016.VZD10F150	16	10	17	16,7	16,1	1,6	150	-	-	-	-	-	-	-	-	-	3,1	15,2	15,2	15,2	W616.10
W613016.0003	W613016.VZD10F200	16	10	17	16,7	16,1	1,6	200	-	-	-	-	-	-	-	-	-	3,1	15,8	15,8	15,8	W616.10

Version W614: Lateral spring plunger with POM nose pin

Code	art.	d1	d	h	h1	D	a	F1(N)	G	E=1	G	E=2	G	E=3	G	E=4,5	G	E=6	G	E=8	g	Bush
W614006.0001	W614006.VZD03F010	6	3	7	4	6,1	0,5	10	0,8	1	1	1	1	1	1	1	1	1	1	1	0,4	W616.03
W614010.0001	W614010.VZD05F020	10	5	11	6,7	10,1	0,8	20	-	1,5	1,7	1,7	1,7	1,7	1,7	1,7	1,7	1,7	1,7	1,7	1,3	W616.05
W614010.0002	W614010.VZD06F040	10	6	11	10,7	10,1	1	40	-	-	-	1,7	1,9	1,9	1,9	1,9	1,9	1,9	1,9	1,9	1,5	W616.06
W614012.0001	W614012.VZD08F050	12	8	13	13,9	12,1	1,3	50	-	-	-	-	2,5	2,7	2,7	2,7	2,7	2,7	2,7	2,7	2,9	W616.08
W614016.0001	W614016.VZD10F100	16	10	17	16,7	16,1	1,6	100	-	-	-	-	-	-	-	-	-	3,1	7,2	7,2	7,2	W616.10

Version W615: Lateral spring plunger with POM nose pin and seal

Code	art.	d1	d	h	h1	D	a	F1(N)	G	E=1	G	E=2	G	E=3	G	E=4,5	G	E=6	G	E=8	g	Bush
W615006.0001	W615006.VZD03F010	6	3	7	4	6,1	0,5	10	0,8	1	1	1	1	1	1	1	1	1	1	1	0,4	W616.03
W615010.0001	W615010.VZD05F020	10	5	11	6,7	10,1	0,8	20	-	1,5	1,7	1,7	1,7	1,7	1,7	1,7	1,7	1,7	1,7	1,7	1,3	W616.05
W615010.0002	W615010.VZD06F040	10	6	11	10,7	10,1	1	40	-	-	-	1,7	1,9	1,9	1,9	1,9	1,9	1,9	1,9	1,9	1,6	W616.06
W615012.0001	W615012.VZD08F050	12	8	13	13,9	12,1	1,3	50	-	-	-	-	2,5	2,7	2,7	2,7	2,7	2,7	2,7	2,7	2,9	W616.08
W615016.0001	W615016.VZD10F100	16	10	17	16,7	16,1	1,6	100	-	-	-	-	-	-	-	-	-	3,1	7,3	7,3	7,3	W616.10

W848



THREADED STEEL GRUB SCREW WITH HEAGON SOCKET END AND PLASTIC BALL POINT

Materials:

W848:

Steel grub screw body with strength class 10.9.

W848CIN:

Stainless steel grub screw body (Aisi 303).

Surface finish:

Smooth.

Colour:

W849:

Black-oxide treated.

W849CIN:

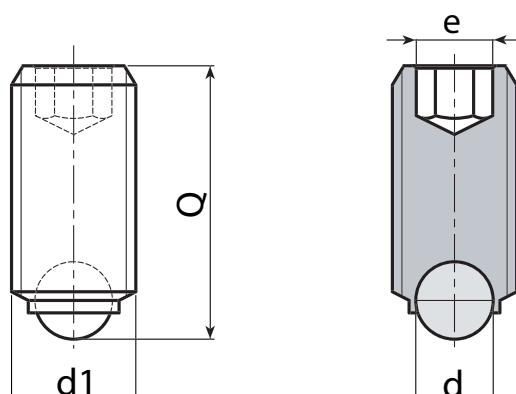
Natural.

Ball:

White plastic ball (POM - Delrin).

Special requests:

- None.



Version W848: black-oxide treated steel

Code	art.	d1 _{6g}	e	d	Q	g
W848.0032	W848.SBM04X10	M4	2	2.5	10	1
W848.0033	W848.SBM04X12	M4	2	2.5	12	1
W848.0034	W848.SBM04X16	M4	2	2.5	16	1
W848.0036	W848.SBM05X10	M5	2.5	3	10	1
W848.0037	W848.SBM05X16	M5	2.5	3	16	1,7
W848.0038	W848.SBM05X20	M5	2.5	3	20	2
W848.0039	W848.SBM05X25	M5	2.5	3	25	2,9
W848.0040	W848.SBM06X11	M6	3	4	11	1,3
W848.0041	W848.SBM06X13	M6	3	4	13	1,8
W848.0042	W848.SBM06X17	M6	3	4	17	2,4
W848.0043	W848.SBM06X21	M6	3	4	21	3
W848.0044	W848.SBM06X26	M6	3	4	26	4
W848.0045	W848.SBM08X11	M8	4	5.5	11	3
W848.0046	W848.SBM08X13	M8	4	5.5	13	3
W848.0047	W848.SBM08X17	M8	4	5.5	17	4
W848.0048	W848.SBM08X21	M8	4	5.5	21	5
W848.0049	W848.SBM08X26	M8	4	5.5	26	7
W848.0050	W848.SBM08X31	M8	4	5.5	31	9
W848.0051	W848.SBM10X14	M10	5	7	14	5
W848.0052	W848.SBM10X18	M10	5	7	18	6
W848.0053	W848.SBM10X22	M10	5	7	22	9
W848.0054	W848.SBM10X27	M10	5	7	27	11
W848.0056	W848.SBM10X37	M10	5	7	37	16
W848.0057	W848.SBM12X18	M12	6	8.5	18	10
W848.0058	W848.SBM12X22	M12	6	8.5	22	11
W848.0060	W848.SBM12X32	M12	6	8.5	32	18
W848.0061	W848.SBM12X42	M12	6	8.5	42	22

W848



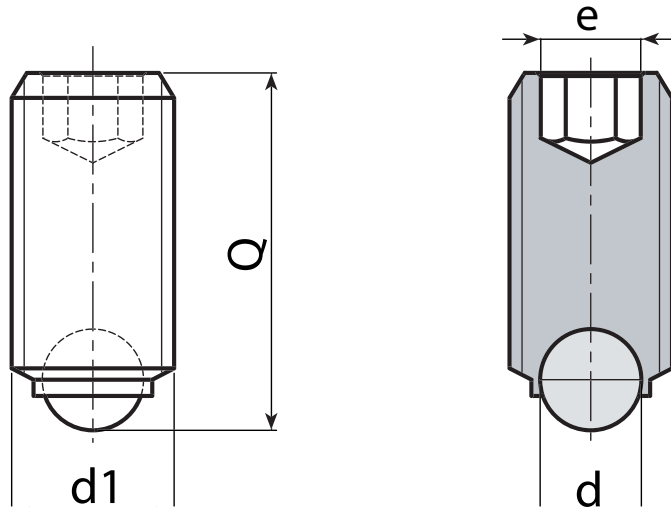
POM

C40

AISI
303



THREADED STEEL GRUB SCREW WITH HEAGON SOCKET END AND PLASTIC BALL POINT



Version W848 CIN - stainless steel (Aisi 303).

INOX

Code	art.	d1 _{6g}	e	d	Q	g _g
W848.0002	W848.INM04X10CIN	M4	2	2.5	10	1
W848.0003	W848.INM04X12CIN	M4	2	2.5	12	1
W848.0004	W848.INM04X16CIN	M4	2	2.5	16	1
W848.0006	W848.INM05X10CIN	M5	2.5	3	10	1
W848.0007	W848.INM05X16CIN	M5	2.5	3	16	1,7
W848.0008	W848.INM05X20CIN	M5	2.5	3	20	2
W848.0009	W848.INM05X25CIN	M5	2.5	3	25	2,9
W848.0010	W848.INM06X11CIN	M6	3	4	11	1,3
W848.0011	W848.INM06X13CIN	M6	3	4	13	1,8
W848.0012	W848.INM06X17CIN	M6	3	4	17	2,4
W848.0013	W848.INM06X21CIN	M6	3	4	21	3
W848.0014	W848.INM06X26CIN	M6	3	4	26	4
W848.0015	W848.INM08X11CIN	M8	4	5.5	11	3
W848.0016	W848.INM08X13CIN	M8	4	5.5	13	3
W848.0017	W848.INM08X17CIN	M8	4	5.5	17	4
W848.0018	W848.INM08X21CIN	M8	4	5.5	21	5
W848.0019	W848.INM08X26CIN	M8	4	5.5	26	7
W848.0020	W848.INM08X31CIN	M8	4	5.5	31	9

W849



C40

Aisi 303



THREADED STEEL GRUB SCREW WITH HEAGON SOCKET END AND STEEL BALL POINT

Materials:

W849:

Quenched steel grub screw body with strength class 10.9.

W849CIN:

Stainless steel grub screw body (Aisi 303).

Surface finish:

Smooth.

Colour:

W849:

Black-oxide treated.

W849CIN:

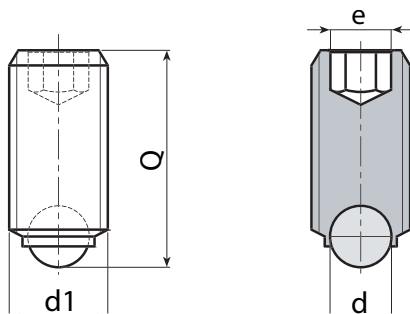
Natural.

Ball:

Hardened stainless steel ball (Aisi 420).

Special requests:

- None.



Version W849: black-oxide treated steel

Code	art.	d1 _{6H}	e	d	Q	g
W849.0025	W849.SBM04X10	M4	2	2.5	10	1
W849.0071	W849.SBM04X12	M4	2	2.5	12	1
W849.0026	W849.SBM04X16	M4	2	2.5	16	1
W849.0028	W849.SBM05X10	M5	2.5	3	10	1
W849.0029	W849.SBM05X12	M5	2.5	3	12	1,3
W849.0030	W849.SBM05X16	M5	2.5	3	16	1,7
W849.0031	W849.SBM05X20	M5	2.5	3	20	2
W849.0032	W849.SBM05X25	M5	2.5	3	25	2,9
W849.0033	W849.SBM06X11	M6	3	4	11	1,3
W849.0034	W849.SBM06X13	M6	3	4	13	1,8
W849.0035	W849.SBM06X17	M6	3	4	17	2,4
W849.0036	W849.SBM06X21	M6	3	4	21	3
W849.0037	W849.SBM06X26	M6	3	4	26	4
W849.0038	W849.SBM08X11	M8	4	4.5	11	3
W849.0039	W849.SBM08X13	M8	4	4.5	13	3
W849.0040	W849.SBM08X17	M8	4	4.5	17	4
W849.0041	W849.SBM08X21	M8	4	4.5	21	5
W849.0042	W849.SBM08X26	M8	4	4.5	26	7
W849.0043	W849.SBM08X31	M8	4	4.5	31	9
W849.0044	W849.SBM10X14	M10	5	7	14	5
W849.0045	W849.SBM10X18	M10	5	7	18	6
W849.0046	W849.SBM10X22	M10	5	7	22	9
W849.0047	W849.SBM10X27	M10	5	7	27	11
W849.0049	W849.SBM10X37	M10	5	7	37	16
W849.0050	W849.SBM12X18	M12	6	8.5	18	10
W849.0072	W849.SBM12X22	M12	6	8.5	22	11
W849.0073	W849.SBM12X32	M12	6	8.5	32	18
W849.0074	W849.SBM12X42	M12	6	8.5	42	21,5
W849.0053	W849.SBM16X23	M16	8	12	23	22
W849.0054	W849.SBM16X28	M16	8	12	28	28
W849.0055	W849.SBM16X38	M16	8	12	38	41
W849.0056	W849.SBM16X53	M16	8	12	53	48
W849.0057	W849.SBM20X34	M20	10	15	34	54
W849.0058	W849.SBM20X44	M20	10	15	44	74
W849.0059	W849.SBM20X64	M20	10	15	64	120

W849

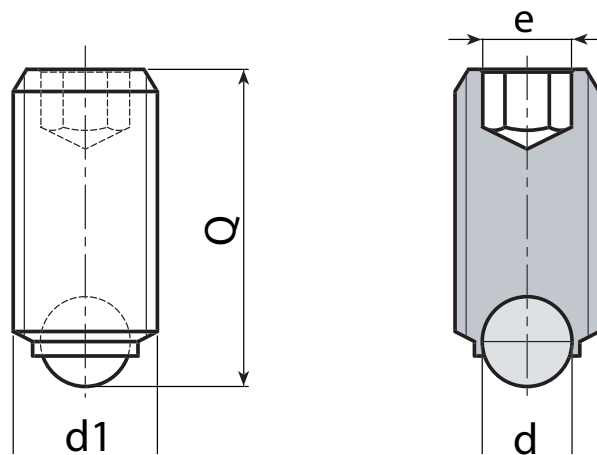


C40

AISI
303



THREADED STEEL GRUB SCREW WITH HEAGON SOCKET END AND STEEL BALL POINT



Version W849CIN - stainless steel (Aisi 303)

INOX

21

Code	art.	d1 _{6H}	e	d	Q	g
W849.0002	W849.INM04X10CIN	M4	2	2.5	10	1
W849.0061	W849.INM04X12CIN	M4	2	2.5	12	1
W849.0003	W849.INM04X16CIN	M4	2	2.5	16	1
W849.0005	W849.INM05X10CIN	M5	2.5	3	10	1
W849.0062	W849.INM05X16CIN	M5	2.5	3	16	1,7
W849.0063	W849.INM05X20CIN	M5	2.5	3	20	2
W849.0064	W849.INM05X25CIN	M5	2.5	3	25	2,9
W849.0007	W849.INM06X11CIN	M6	3	4	11	1,3
W849.0065	W849.INM06X13CIN	M6	3	4	13	1,8
W849.0008	W849.INM06X17CIN	M6	3	4	17	2,4
W849.0009	W849.INM06X21CIN	M6	3	4	21	3
W849.0066	W849.INM06X26CIN	M6	3	4	26	4
W849.0010	W849.INM08X11CIN	M8	4	5.5	11	3
W849.0067	W849.INM08X13CIN	M8	4	5.5	13	3
W849.0011	W849.INM08X17CIN	M8	4	5.5	17	4
W849.0012	W849.INM08X21CIN	M8	4	5.5	21	5
W849.0013	W849.INM08X26CIN	M8	4	5.5	26	7
W849.0068	W849.INM08X31CIN	M8	4	5.5	31	9
W849.0014	W849.INM10X14CIN	M10	5	7	14	5
W849.0069	W849.INM10X18CIN	M10	5	7	18	6
W849.0015	W849.INM10X22CIN	M10	5	7	22	9
W849.0070	W849.INM10X27CIN	M10	5	7	27	11
W849.0017	W849.INM10X37CIN	M10	5	7	37	16
W849.0019	W849.INM12X18CIN	M12	6	8.5	18	10
W849.0020	W849.INM12X22CIN	M12	6	8.5	22	11
W849.0021	W849.INM12X32CIN	M12	6	8.5	32	18
W849.0022	W849.INM12X42CIN	M12	6	8.5	42	21,5

W851



C40

Aisi 303



THREADED STEEL GRUB SCREW WITH HEAGON SOCKET END AND FLATTENED BALL POINT

Materials:

W851:

Quenched steel grub screw body with strength class 10.9.

W851CIN:

Stainless steel grub screw body (Aisi 303).

Surface finish:

Smooth.

Surface finish:

W851:

Black-oxide treated.

W851CIN:

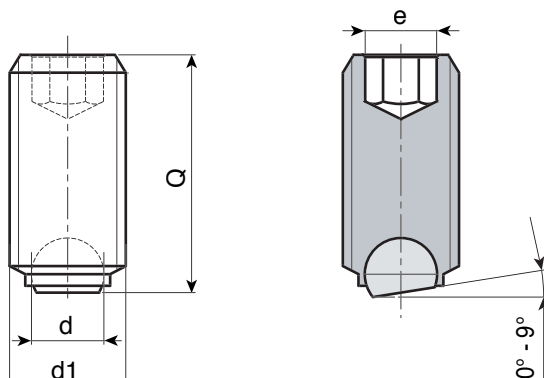
Natural.

Ball:

Flattened hardened stainless steel ball (Aisi 420). Optimal angle adjustment between 0° and 9°. The ball is not fixed, it can rotate.

Special requests:

- None.



Version W851: black-oxide treated steel

Code	art.	d1 _{6g}	e	d	Q	g
W851.0032	W851.SBM04X06	M4	2	2.5	06	0,5
W851.0033	W851.SBM04X08	M4	2	2.5	08	0,5
W851.0034	W851.SBM04X10	M4	2	2.5	10	0,7
W851.0035	W851.SBM04X12	M4	2	2.5	12	0,9
W851.0036	W851.SBM04X16	M4	2	2.5	16	1
W851.0043	W851.SBM06X10	M6	3	4	10	1,5
W851.0044	W851.SBM06X12	M6	3	4	12	1,8
W851.0045	W851.SBM06X16	M6	3	4	16	2,5
W851.0046	W851.SBM06X20	M6	3	4	20	3
W851.0047	W851.SBM06X25	M6	3	4	25	4
W851.0048	W851.SBM08X10	M8	4	5.5	10	2,5
W851.0049	W851.SBM08X12	M8	4	5.5	12	3,5
W851.0050	W851.SBM08X16	M8	4	5.5	16	4
W851.0051	W851.SBM08X20	M8	4	5.5	20	5
W851.0052	W851.SBM08X25	M8	4	5.5	25	7,5
W851.0053	W851.SBM08X30	M8	4	5.5	30	9
W851.0054	W851.SBM10X12	M10	5	7	12	5
W851.0055	W851.SBM10X16	M10	5	7	16	7
W851.0056	W851.SBM10X20	M10	5	7	20	9
W851.0057	W851.SBM10X25	M10	5	7	25	11
W851.0059	W851.SBM10X35	M10	5	7	35	16
W851.0061	W851.SBM12X16	M12	6	8.5	16	10
W851.0062	W851.SBM12X20	M12	6	8.5	20	12,5
W851.0064	W851.SBM12X30	M12	6	8.5	30	20
W851.0065	W851.SBM12X40	M12	6	8.5	40	28,5
W851.0067	W851.SBM16X20	M16	8	12	20	22
W851.0068	W851.SBM16X25	M16	8	12	25	28
W851.0069	W851.SBM16X35	M16	8	12	35	41
W851.0070	W851.SBM16X50	M16	8	12	50	48
W851.0071	W851.SBM20X30	M20	10	15	30	54
W851.0072	W851.SBM20X40	M20	10	15	40	74
W851.0073	W851.SBM20X60	M20	10	15	60	120

W851

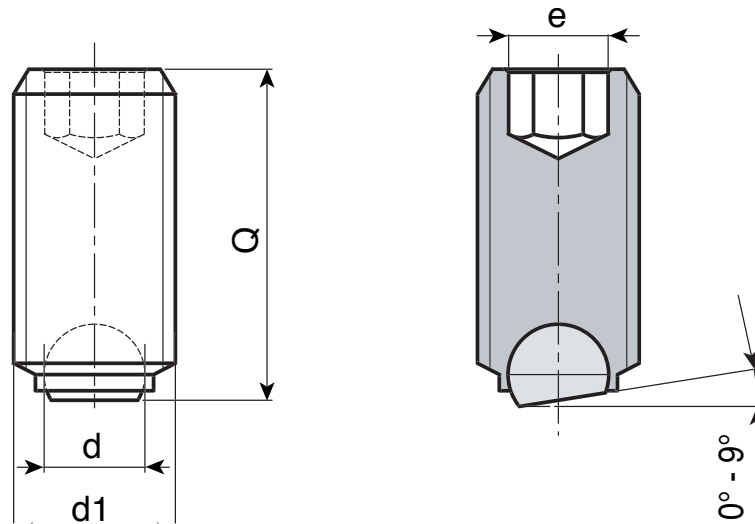


C40

AISI
303



THREADED STEEL GRUB SCREW WITH HEAGON SOCKET END AND FLATTENED BALL POINT



21

Version W851CIN - stainless steel (Aisi 303)

INOX

Code	art.	d1 _{6g}	e	d	Q	g
W851.0001	W851.INM04X06CIN	M4	2	2.5	06	0,5
W851.0002	W851.INM04X08CIN	M4	2	2.5	08	0,5
W851.0003	W851.INM04X10CIN	M4	2	2.5	10	0,7
W851.0004	W851.INM04X12CIN	M4	2	2.5	12	0,9
W851.0005	W851.INM04X16CIN	M4	2	2.5	16	1
W851.0012	W851.INM06X10CIN	M6	3	4	10	1,5
W851.0013	W851.INM06X12CIN	M6	3	4	12	1,8
W851.0014	W851.INM06X16CIN	M6	3	4	16	2,5
W851.0015	W851.INM06X20CIN	M6	3	4	20	3
W851.0016	W851.INM06X25CIN	M6	3	4	25	4
W851.0017	W851.INM08X10CIN	M8	4	5.5	10	2,5
W851.0018	W851.INM08X12CIN	M8	4	5.5	12	3,5
W851.0019	W851.INM08X16CIN	M8	4	5.5	16	4
W851.0020	W851.INM08X20CIN	M8	4	5.5	20	5
W851.0021	W851.INM08X25CIN	M8	4	5.5	25	7,5
W851.0023	W851.INM10X12CIN	M10	5	7	12	5
W851.0024	W851.INM10X16CIN	M10	5	7	16	7
W851.0025	W851.INM10X20CIN	M10	5	7	20	9
W851.0026	W851.INM10X25CIN	M10	5	7	25	11
W851.0027	W851.INM10X35CIN	M10	5	7	35	16
W851.0028	W851.INM12X16CIN	M12	6	8.5	16	10
W851.0029	W851.INM12X20CIN	M12	6	8.5	20	12,5
W851.0030	W851.INM12X30CIN	M12	6	8.5	30	20
W851.0031	W851.INM12X40CIN	M12	6	8.5	40	28,5

W852



THREADED STEEL GRUB SCREW WITH HEAGON SOCKET END AND FLATTENED KNURLED BALL POINT

Materials:

Quenched steel grub screw body with strength class 10.9.

Surface finish:

Smooth.

Colour:

Nose pin:

Natural

Grub screw body:

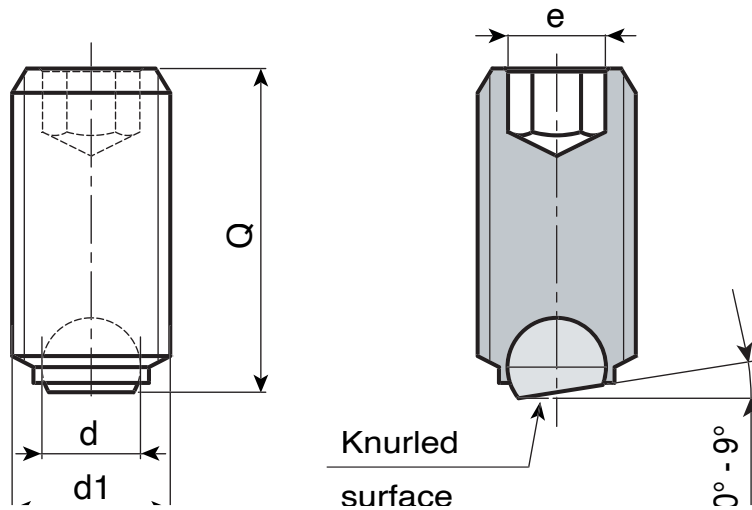
Black-oxide treated.

Ball:

Flattened knurled hardened stainless steel ball (Aisi 420). Optimal angle adjustment between 0° and 9°. The ball is not fixed, it can rotate.

Special requests:

- None.



21

Code	art.	d1 _{6g}	e	d	Q	g
W852.0001	W852.SBM10X12	M10	5	7	12	5
W852.0002	W852.SBM10X16	M10	5	7	16	7
W852.0003	W852.SBM10X20	M10	5	7	20	9
W852.0004	W852.SBM10X25	M10	5	7	25	11
W852.0005	W852.SBM10X35	M10	5	7	35	16
W852.0006	W852.SBM12X16	M12	6	8.5	16	10
W852.0007	W852.SBM12X20	M12	6	8.5	20	12,5
W852.0008	W852.SBM12X30	M12	6	8.5	30	20
W852.0009	W852.SBM12X40	M12	6	8.5	40	28,5
W852.0010	W852.SBM16X20	M16	8	12	20	22
W852.0011	W852.SBM16X25	M16	8	12	25	28
W852.0012	W852.SBM16X35	M16	8	12	35	41
W852.0013	W852.SBM16X50	M16	8	12	50	48

W853



THREADED STEEL GRUB SCREW WITH HEAGON SOCKET END AND FLATTENED PLASTIC BALL POINT

Materials:

Quenched steel grub screw body with strength class 10.9.

Surface finish:

Smooth.

Colour:

Nose pin:
Red.

Red.

Grub screw body:

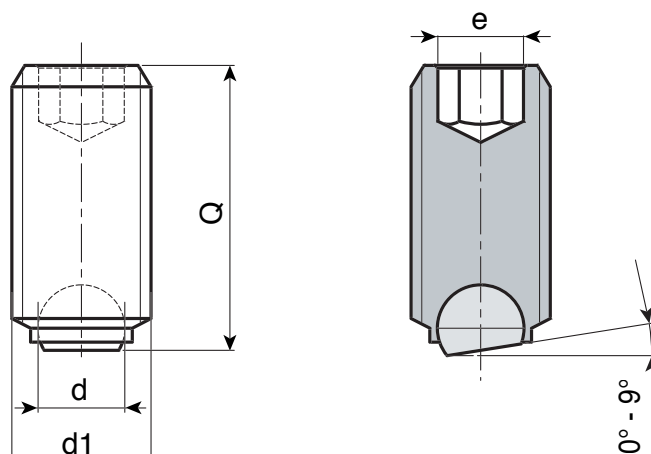
Black-oxide treated.

Ball:

Flattened plastic ball (POM - Delrin). Optimal angle adjustment between 0° and 9°. The ball is not fixed, it can rotate.

Special requests:

- None.



Code	art.	d1 _{6g}	e	d	Q	g
W853.0001	W853.SBM04X06	M4	2	2.5	06	0,5
W853.0002	W853.SBM04X08	M4	2	2.5	08	0,5
W853.0003	W853.SBM04X10	M4	2	2.5	10	0,5
W853.0004	W853.SBM04X12	M4	2	2.5	12	0,7
W853.0005	W853.SBM04X16	M4	2	2.5	16	1
W853.0012	W853.SBM06X10	M6	3	4	10	1,5
W853.0013	W853.SBM06X12	M6	3	4	12	1,8
W853.0014	W853.SBM06X16	M6	3	4	16	2,5
W853.0015	W853.SBM06X20	M6	3	4	20	3
W853.0016	W853.SBM06X25	M6	3	4	25	4
W853.0017	W853.SBM08X10	M8	4	5.5	10	2,5
W853.0018	W853.SBM08X12	M8	4	5.5	12	3,5
W853.0019	W853.SBM08X16	M8	4	5.5	16	4
W853.0020	W853.SBM08X20	M8	4	5.5	20	5
W853.0021	W853.SBM08X25	M8	4	5.5	25	7,5
W853.0022	W853.SBM08X30	M8	4	5.5	30	9



ALWAYS CLIMB HIGHER AND HIGHER.



W860



C40

Aisi 303

OT



THREADED STEEL GRUB SCREW WITH HEAGON SOCKET END AND BRASS NOSE PIN

Materials:

W860:

Quenched steel grub screw body with strength class 10.9.

W860CIN:

Stainless steel grub screw body (Aisi 303).

Surface finish:

Smooth.

Colour:

W860:

Black-oxide treated.

W860CIN:

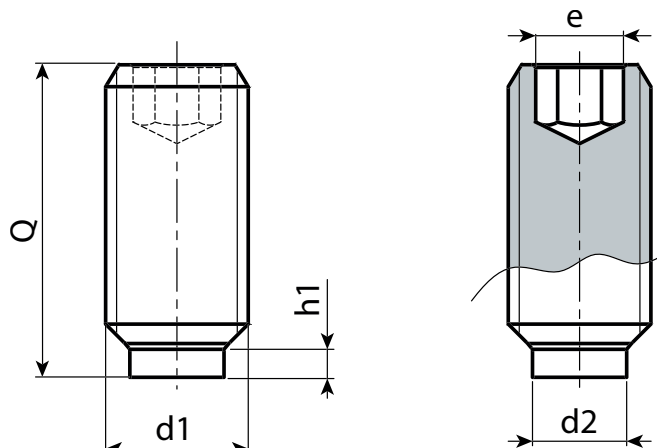
Natural.

Nose pin:

Fixed brass cylindrical nose pin.

Special requests:

- None.



Version W860: black-oxide treated steel

Code	art.	d1 _{6g}	e	h1	d2	Q	g
-	W860.SBM04X06,5	M4	2	1.2	2.5	06,5	1
-	W860.SBM04X10,5	M4	2	1.2	2.5	10,5	1
-	W860.SBM04X16,5	M4	2	1.2	2.5	16,5	1,5
-	W860.SBM04X30,5	M4	2	1.2	2.5	30,5	2
-	W860.SBM05X08,5	M5	2.5	1.3	3	08,5	1
-	W860.SBM05X12,5	M5	2.5	1.3	3	12,5	1,5
-	W860.SBM05X20,5	M5	2.5	1.3	3	20,5	2,5
-	W860.SBM05X30,5	M5	2.5	1.3	3	30,5	4
W860.0026	W860.SBM06X11,5	M6	3	1.9	4	11,5	2
W860.0027	W860.SBM06X17,5	M6	3	1.9	4	17,5	2,5
W860.0028	W860.SBM06X26,5	M6	3	1.9	4	26,5	4
W860.0029	W860.SBM06X41,5	M6	3	1.9	4	41,5	6,5
W860.0030	W860.SBM08X12	M8	4	2.5	5.5	12	3,5
W860.0031	W860.SBM08X22	M8	4	2.5	5.5	22	6
W860.0032	W860.SBM08X32	M8	4	2.5	5.5	32	8,5
W860.0033	W860.SBM08X52	M8	4	2.5	5.5	52	14
W860.0034	W860.SBM10X14	M10	5	2.7	7	14	5,5
W860.0035	W860.SBM10X18	M10	5	2.7	7	18	7
W860.0036	W860.SBM10X27	M10	5	2.7	7	27	11,5
W860.0037	W860.SBM10X37	M10	5	2.7	7	37	16,5
W860.0038	W860.SBM10X52	M10	5	2.7	7	52	25
W860.0039	W860.SBM12X18,5	M12	6	3.4	8.5	18,5	10,5
W860.0040	W860.SBM12X22,5	M12	6	3.4	8.5	22,5	13
W860.0041	W860.SBM12X32,5	M12	6	3.4	8.5	32,5	20
W860.0042	W860.SBM12X42,5	M12	6	3.4	8.5	42,5	29
W860.0043	W860.SBM12X52,5	M12	6	3.4	8.5	52,5	38

W860

+200°
-20°

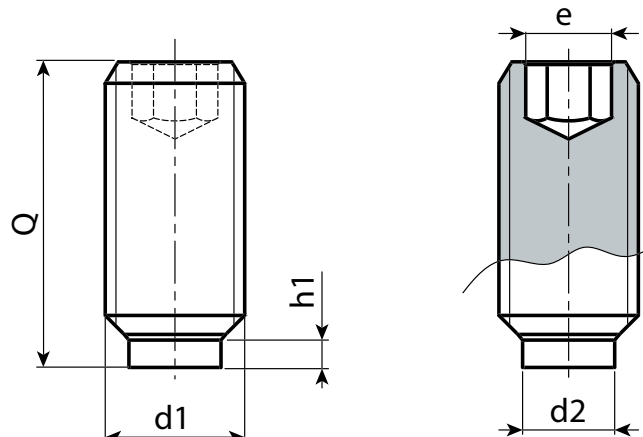
C40

Aisi
303

OT

RoHS
COMPLIANT

THREADED STEEL GRUB SCREW WITH HEAGON SOCKET END AND BRASS NOSE PIN



Version W860CIN - stainless steel (Aisi 303)

INOX

Code	art.	d1 _{6H}	e	h1	d2	Q	g
-	W860.INM04X06,5CIN	M4	2	1.2	2.5	06,5	1
-	W860.INM04X10,5CIN	M4	2	1.2	2.5	10,5	1
-	W860.INM04X16,5CIN	M4	2	1.2	2.5	16,5	1,5
-	W860.INM05X08,5CIN	M5	2.5	1.3	3	08,5	1
-	W860.INM05X12,5CIN	M5	2.5	1.3	3	12,5	1,5
-	W860.INM05X20,5CIN	M5	2.5	1.3	3	20,5	2,5
W860.0007	W860.INM06X11,5CIN	M6	3	1.9	4	11,5	2
W860.0008	W860.INM06X17,5CIN	M6	3	1.9	4	17,5	2,5
W860.0009	W860.INM06X26,5CIN	M6	3	1.9	4	26,5	4
W860.0010	W860.INM08X12CIN	M8	4	2.5	5.5	12	3,5
W860.0011	W860.INM08X22CIN	M8	4	2.5	5.5	22	6
W860.0012	W860.INM08X32CIN	M8	4	2.5	5.5	32	8,5
W860.0013	W860.INM10X14CIN	M10	5	2.7	7	14	5,5
W860.0014	W860.INM10X18CIN	M10	5	2.7	7	18	7
W860.0015	W860.INM10X27CIN	M10	5	2.7	7	27	11,5
W860.0016	W860.INM10X37CIN	M10	5	2.7	7	37	16,5
W860.0017	W860.INM12X22,5CIN	M12	6	3.4	8.5	22,5	12,5
W860.0018	W860.INM12X32,5CIN	M12	6	3.4	8.5	32,5	20
W860.0019	W860.INM12X42,5CIN	M12	6	3.4	8.5	42,5	29

W861



C40

Aisi 303

POM

UL94 HB



THREADED STEEL GRUB SCREW WITH HEAGON SOCKET END AND PLASTIC NOSE PIN

Materials:

W861:

Quenched steel grub screw body with strength class 10.9.

W861CIN:

Stainless steel grub screw body (Aisi 303).

Surface finish:

Smooth.

Colour:

W861:

Black-oxide treated.

W861CIN:

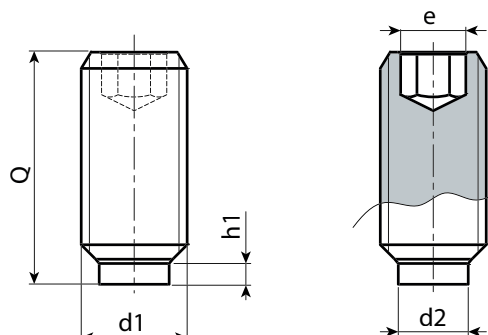
Natural.

Nose pin:

Fixed white plastic cylindrical nose pin (POM-Delrin).

Special requests:

- None.



Version W861: black-oxide treated steel

Code	art.	d1 _{6g}	e	h1	d2	Q	g
W861.0027	W861.SBM04X07	M4	2	1,6	2	07	1
W861.0028	W861.SBM04X09	M4	2	1,6	2	09	1
W861.0029	W861.SBM04X11	M4	2	1,6	2	11	1
W861.0030	W861.SBM04X13	M4	2	1,6	2	13	1
W861.0031	W861.SBM04X17	M4	2	1,6	2	17	1
W861.0032	W861.SBM04X31	M4	2	1,6	2	31	2,5
W861.0033	W861.SBM05X09	M5	2,5	1,8	3	09	1
W861.0034	W861.SBM05X11	M5	2,5	1,8	3	11	1
W861.0035	W861.SBM05X13	M5	2,5	1,8	3	13	1
W861.0036	W861.SBM05X17	M5	2,5	1,8	3	17	2
W861.0037	W861.SBM05X21	M5	2,5	1,8	3	21	2
W861.0038	W861.SBM05X31	M5	2,5	1,8	3	31	3,5
W861.0039	W861.SBM06X11	M6	3	1,6	3,5	11	1
W861.0040	W861.SBM06X13	M6	3	1,6	3,5	13	1,5
W861.0041	W861.SBM06X17	M6	3	1,6	3,5	17	2
W861.0042	W861.SBM06X21	M6	3	1,6	3,5	21	3
W861.0043	W861.SBM06X26	M6	3	1,6	3,5	26	4
W861.0044	W861.SBM06X33	M6	3	1,6	3,5	33	5
W861.0045	W861.SBM06X41	M6	3	1,6	3,5	41	6
W861.0046	W861.SBM06X51	M6	3	1,6	3,5	51	8
W861.0053	W861.SBM10X18	M10	5	2,5	6,5	18	5
W861.0054	W861.SBM10X22	M10	5	2,5	6,5	22	7
W861.0055	W861.SBM10X27	M10	5	2,5	6,5	27	9
W861.0056	W861.SBM10X34	M10	5	2,5	6,5	34	13
W861.0057	W861.SBM10X42	M10	5	2,5	6,5	42	16
W861.0058	W861.SBM10X52	M10	5	2,5	6,5	52	21
W861.0059	W861.SBM10X62	M10	5	2,5	6,5	62	25
W861.0060	W861.SBM10X82	M10	5	2,5	6,5	82	34
W861.0061	W861.SBM12X22	M12	6	2,9	8	22	9
W861.0062	W861.SBM12X27	M12	6	2,9	8	27	13
W861.0063	W861.SBM12X34	M12	6	2,9	8	34	18
W861.0064	W861.SBM12X42	M12	6	2,9	8	42	24
W861.0065	W861.SBM12X52	M12	6	2,9	8	52	31
W861.0066	W861.SBM12X62	M12	6	2,9	8	62	40

W861



C40

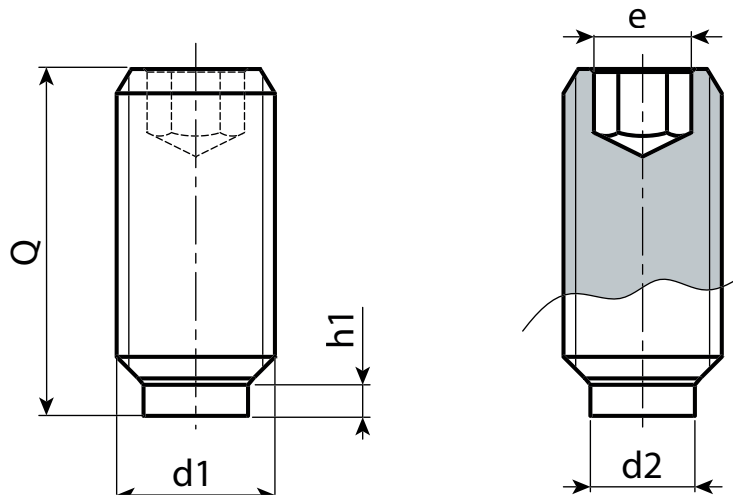
Aisi 303

POM

UL94 HB



THREADED STEEL GRUB SCREW WITH HEAGON SOCKET END AND PLASTIC NOSE PIN



Version W861CIN - stainless steel (Aisi 303)

INOX

Code	art.	d1 _{6H}	e	h1	d2	Q	g
W861.0001	W861.INM04X07CIN	M4	2	1,6	2	07	1
W861.0002	W861.INM04X09CIN	M4	2	1,6	2	09	1
W861.0003	W861.INM04X11CIN	M4	2	1,6	2	11	1
W861.0004	W861.INM04X13CIN	M4	2	1,6	2	13	1
W861.0005	W861.INM04X17CIN	M4	2	1,6	2	17	1
-	W861.INM05X09CIN	M5	2,5	1,8	3	09	1
W861.0006	W861.INM05X11CIN	M5	2,5	1,8	3	11	1
W861.0007	W861.INM05X13CIN	M5	2,5	1,8	3	13	1
W861.0008	W861.INM05X17CIN	M5	2,5	1,8	3	17	2
W861.0009	W861.INM05X21CIN	M5	2,5	1,8	3	21	2
W861.0011	W861.INM06X11CIN	M6	3	1,6	3,5	11	1
W861.0012	W861.INM06X13CIN	M6	3	1,6	3,5	13	1,5
W861.0013	W861.INM06X17CIN	M6	3	1,6	3,5	17	2
W861.0014	W861.INM06X21CIN	M6	3	1,6	3,5	21	3
W861.0015	W861.INM06X26CIN	M6	3	1,6	3,5	26	4
W861.0020	W861.INM10X18CIN	M10	5	2,5	6,5	18	5
W861.0021	W861.INM10X22CIN	M10	5	2,5	6,5	22	7
W861.0022	W861.INM10X27CIN	M10	5	2,5	6,5	27	9
W861.0023	W861.INM10X37CIN	M10	5	2,5	6,5	37	14
W861.0024	W861.INM12X22CIN	M12	6	2,9	8	22	9
W861.0025	W861.INM12X32CIN	M12	6	2,9	8	32	18
W861.0026	W861.INM12X42CIN	M12	6	2,9	8	42	24