



GROUP - 19

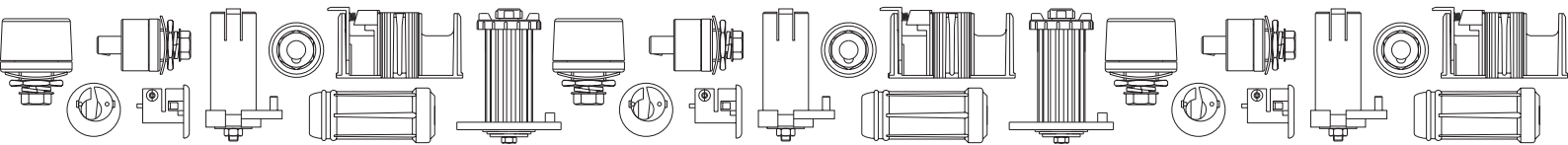


S
19

WELDING ACCESSORIES

BOTEKO Welding Accessories

Family of accessories for the welding industry. Quick connectors for cables and torches, wire reels for MIG welders, cable clamps and insulating washers. For detailed information on the specifications of each individual product please consult the technical sheet.



S603

SNAP-FIT SPOOL HOLDER FOR WELDING WIRE



Materials:

(1-2) Reinforced polyamide.
Resistant to oils and greases.

Surface finish:

Satin.

Colour:

Black (RAL 9011).

Inserts:

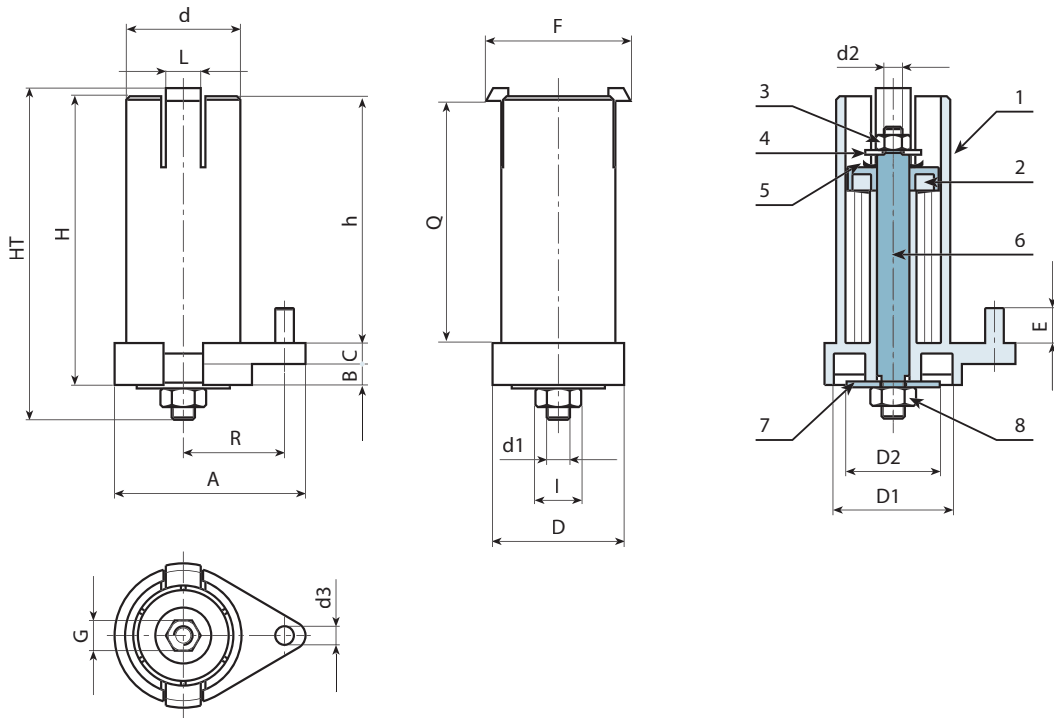
(3-8) Galvanised steel left-hand threaded nut.
(4) Galvanised steel washer.
(5-7) Black oxide treated steel spring washer.
(6) Insert with galvanised steel threaded studs.

Special Requests:

- None.

ATTENTION:

Spool holder S603 can only be used with plastic or iron spools with internal frame diameter d , 53 mm and width 100 mm.



Code	art.	D	D1	D2	HT	H	d	d1	d2	d3	h	A	B	C	E	F	G	I	L	Q	R	
S603118.0001	S603118.T01	60	51	40	137	118	50	M10 SX	M8 SX	8	107	82	3	9	15	63	13	17	15	104	43.5	295
S603124.0001	S603124.T01	60	51	40	145	124	50	M10 SX	M8 SX	8	107	82	9	9	15	63	13	17	15	104	43.5	315

S602TG10

+135°
-30°

PA6
+G.F.

UL94
HB

RoHS
COMPLIANT

SPOOL HOLDER WITHOUT STUD FOR MIG/MAG WELDING WIRE COIL

Materials:

(1-3-4-6) Reinforced polyamide.
Resistant to oils and greases.

Surface finish:

Satin.

Colour:

Black (RAL 9011).

Inserts:

(2) Galvanised steel spring.
(5) Galvanised steel insert with threaded holes.
(7) Thermoplastic TPV rubber washer, 75 Shore.
(8) Galvanised steel washer.
(9) Galvanised steel hexagon head screw, left-hand/right-hand thread. The choice must be made according to the motor rotation direction of the wire feeder.

Special requests:

- For customers using spool holder S602116 who want to mount a wire coil with width Q=55, plastic adapter S604 can be provided upon request. To be ordered separately.
- Upon request, adapter S816 can be supplied for metal coils without internal frame. To be ordered separately.



S604:

S602TG10+S816



Version for plastic coil with hole: Ø 53 mm - width 55 mm

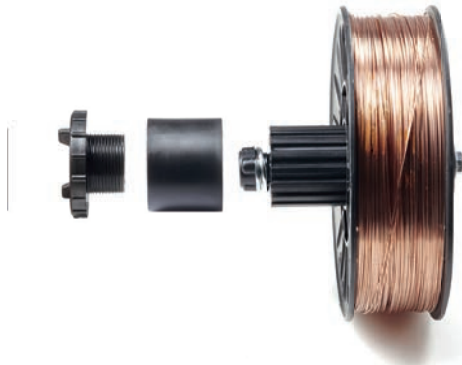
Code	art.	D	HT	d	d1	d2	d3	d4	d5	h	h1	h2	h3	h4	E	Q	R	g
S602074.0001	S602074.TG10X1001DX	112	102	68	50.5	28	10	M10 DX	M10 DX	9	17	8	7	1.7	13	55	44	350
S602074.0002	S602074.TG10X1001SX	112	102	68	50.5	28	10	M10 DX	M10 SX	9	17	8	7	1.7	13	55	44	350

Version for plastic coil with hole: Ø 53 mm - width 100 mm

Code	art.	D	HT	d	d1	d2	d3	d4	d5	h	h1	h2	h3	h4	E	Q	R	g
S602116.0001	S602116.TG10X1001DX	112	140	68	50.5	28	10	M10 DX	M10 DX	9	17	8	7	1.7	17	99	44	545
S602116.0002	S602116.TG10X1001SX	112	140	68	50.5	28	10	M10 DX	M10 SX	9	17	8	7	1.7	17	99	44	545

S602TG10

SPOOL HOLDER WITHOUT STUD FOR MIG/MAG WELDING WIRE COIL



Attention:
It is possible to mount a wire coil with width $L=55$ on the large spool holder S602116, interposing spacer bush S604 between the coil and the fixing ring nut.

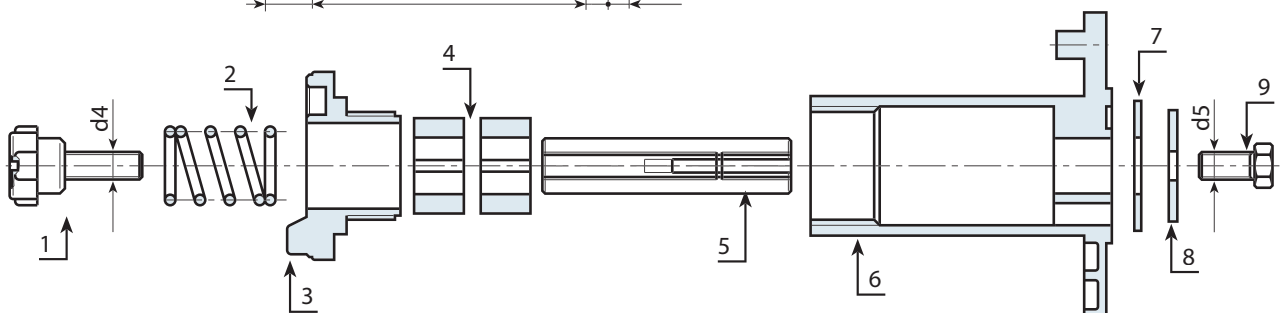
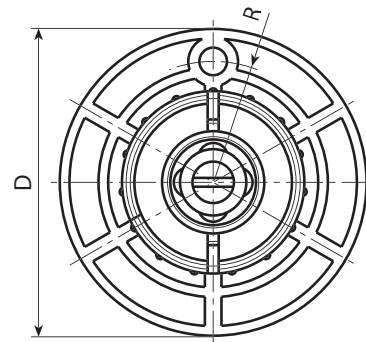
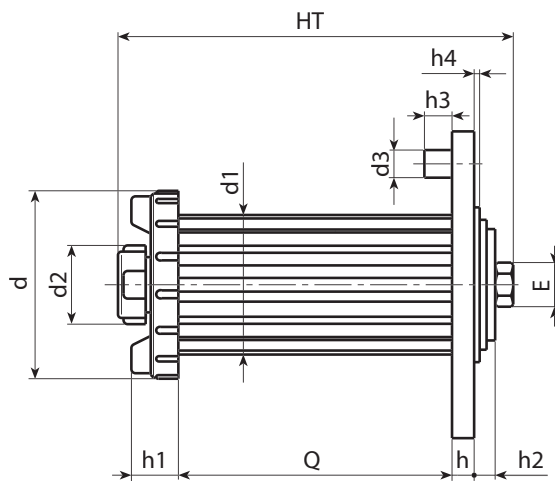
Attention: S602-116 TG10 can only be used with plastic coils with:
Internal hole: $\varnothing 53$ mm
Width: $\varnothing 100$ mm



S602116 TG10 + S604



Attention: S602-74 TG10 can only be used with plastic coils with:
Internal hole: $\varnothing 53$ mm
Width: 55 mm



S602TG50



SPOOL HOLDER WITH STUD FOR MIG/MAG WELDING WIRE COIL

Materials:

(1-3-4-6) Reinforced polyamide.
Resistant to oils and greases.

Surface finish:

Satin.

Colour:

Black (RAL 9011).

Inserts:

- (2) Galvanised steel spring.
- (5) Galvanised steel insert with threaded holes.
- (7) Thermoplastic TPV rubber washer, 75 Shore.
- (8) Galvanised steel washer.
- (9) Galvanised steel hexagon head screw, left-hand/right-hand thread. The choice must be made according to the motor rotation direction of the wire feeder.
- (10) Galvanized steel smooth stud.

Special requests:

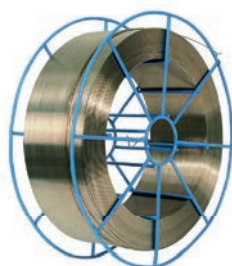
- Upon request, adapter S816 can be supplied for metal coils without internal frame. To be ordered separately.



19

Attention:

It is possible to use article S602TG50 with metal wire coils without frame thanks to adapter S816 (to be ordered separately).



S602TG50+S816



Attention: S602-116 TG50 can only be used with iron coils with:
Internal hole: Ø 53 mm
Width: Ø 100 mm

Attention: S602-116 TG50 can only be used with plastic coils with:
Internal hole: Ø 53 mm
Width: Ø 100 mm

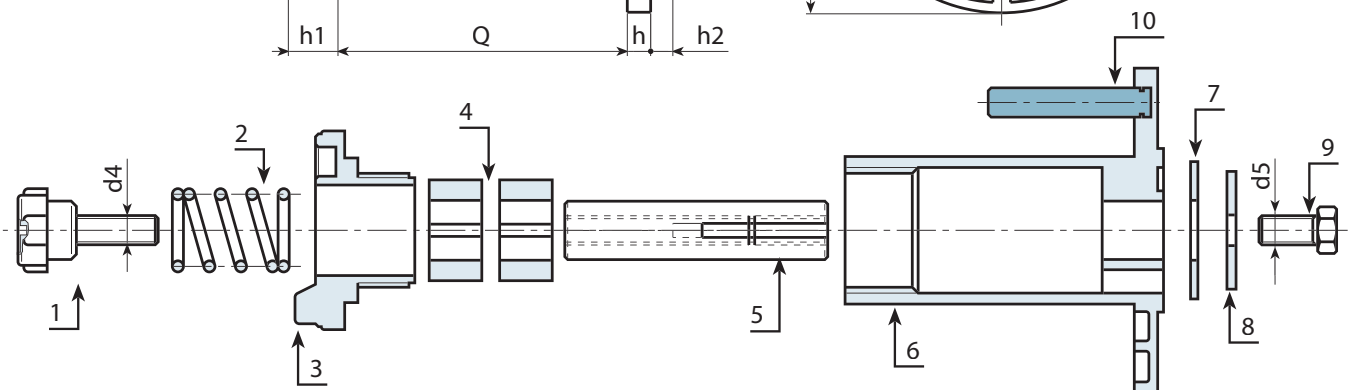
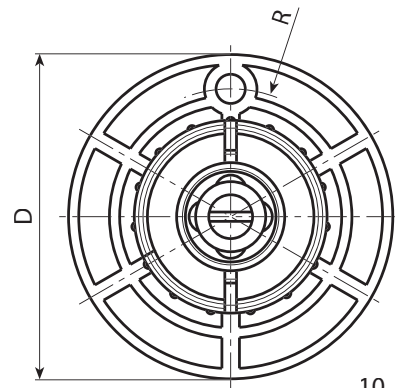
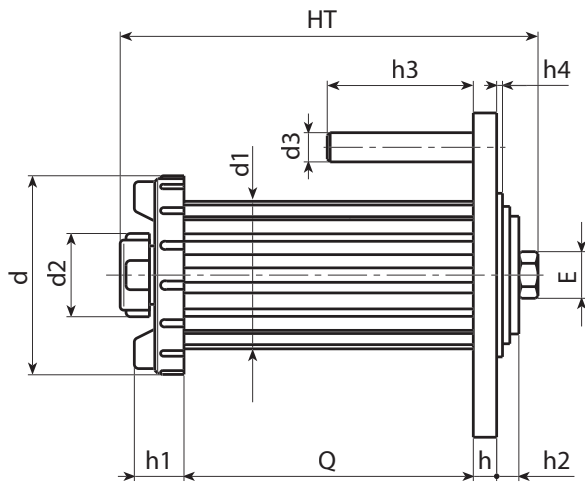
Version for plastic or iron coil with FRAME and hole: Ø 53 mm - width 100 mm

Code	art.	D	HT	d	d1	d2	d3	d4	d5	h	h1	h2	h3	h4	E	Q	R	
S602116.0015	S602116.TG10X5001DX	112	140	68	50.5	28	10	M10 DX	M10 DX	8	17	8	50	1.7	17	99	44	550
S602116.0016	S602116.TG10X5001SX	112	140	68	50.5	28	10	M10 DX	M10 SX	8	17	8	50	1.7	17	99	44	550



S602TG50

SPOOL HOLDER WITH STUD FOR MIG/MAG WELDING WIRE COIL



S816



ADAPTER FOR METAL COILS WITHOUT INTERNAL FRAME FOR MIG/ MAG WELDERS

Materials:

Reinforced polyamide.
Resistant to oils and greases.

Surface finish:

Satin.

Colour:

Black (RAL 9011).

Hole:

Smooth through hole obtained by moulding the plastic.

Spring:

Galvanized steel spring for coil release safety mechanism.

Special Requests:

- None.



Attention: S816 can only be used with iron coils without internal frame with:
inner diameter: Ø 180 mm

S602TG50+S816



Code	art.	D	HT	D1	D2	d	d1	d2	d3	H	h	h3	A	B	C	
S816.0001	S816.T01	192	108	187	166	67	175.5	53	11.5	98	99	16	110	17.5	6.5	290



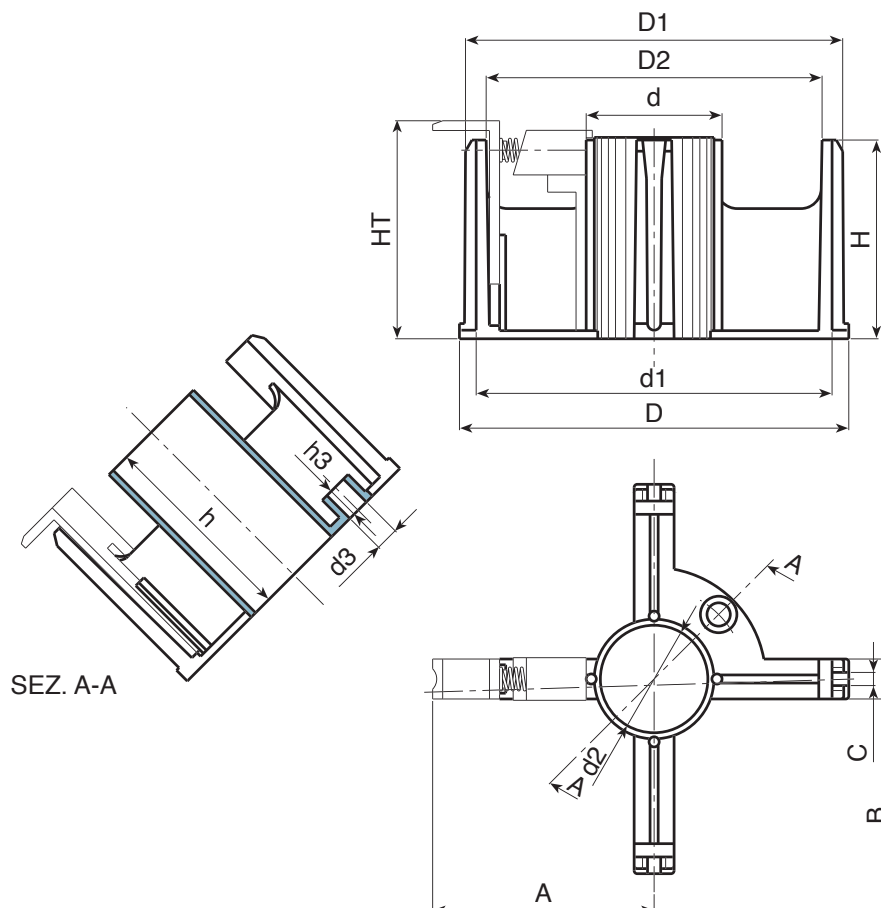
S816



ADAPTER FOR METAL COILS WITHOUT INTERNAL FRAME FOR MIG/MAG WELDERS



Attention:
Adapter S816 can only be used in combination with spool holders S602116.TG10 or S602116.TG50. Spool holders must be ordered separately, or make sure you have one. The two articles cannot be supplied assembled together.



S802



ROTARY SUPPORT FOR WIRE FEEDER HEAD (THREE-PHASE MIG/MAG WELDERS)

Materials:

Reinforced polyamide.
Resistant to oils and greases.

Surface finish:

Satin.

Colour:

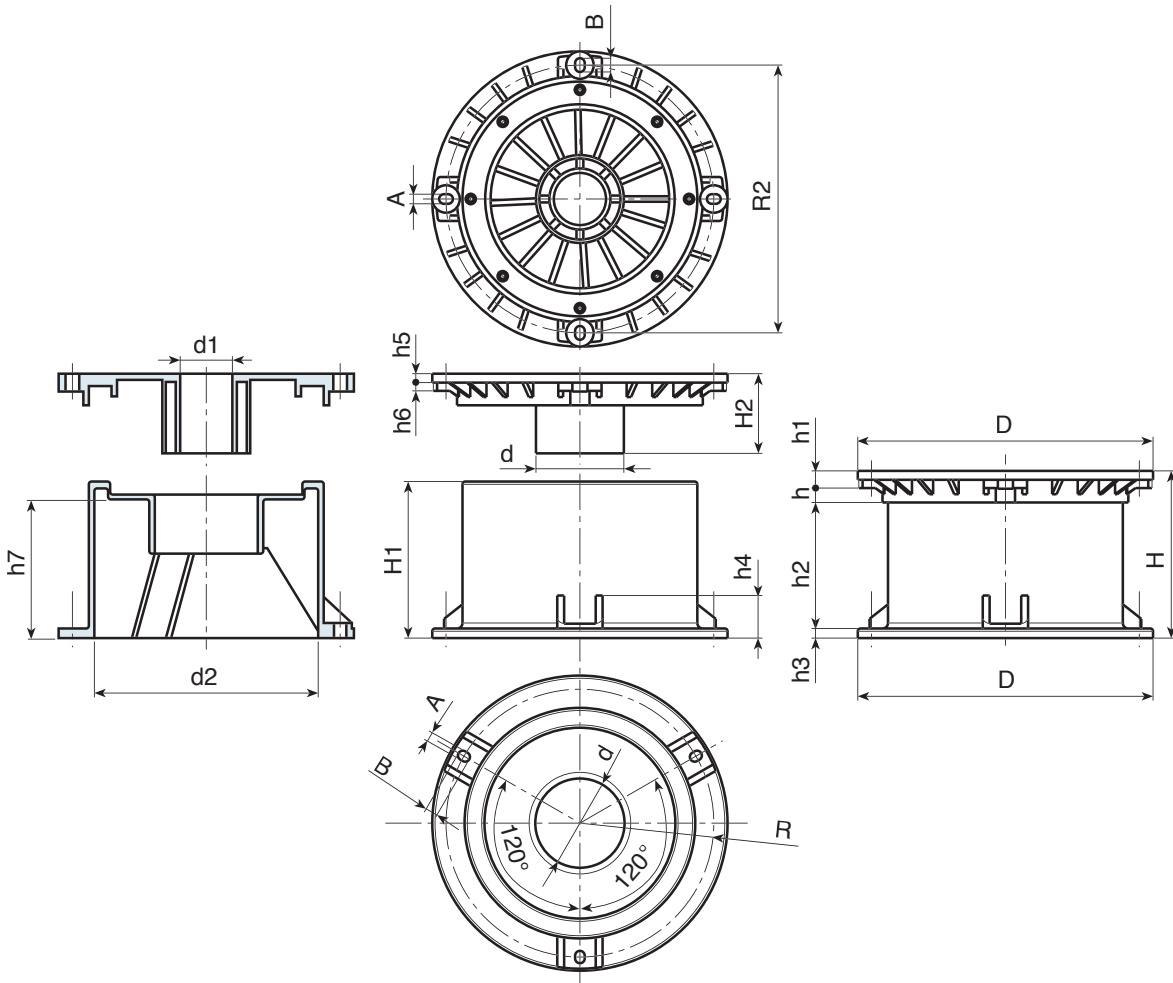
Black (RAL 9011).

Hole:

Smooth through hole obtained by moulding the plastic.

Special requests:

- You can order the two components separately, and their codes are:
- > Top flange: S804.T01
- > Low cylinder H=65: S800060.T01
- > Middle cylinder H=95: S800086.T01
- > High cylinder H=125: S800125.T01



Code	art.	D	H	H1	H2	d	d1	d2	h	h1	h2	h3	h4	h5	h6	h7	R	R1	A	B	
S802065.0001	S802065.T01	215	65	56	58	64	35	-	13	10	36	6.5	31	7	6	-	195	195	7	9	1000
S802095.0001	S802095.T01	215	86	86	58	64	38	-	13	10	56	6.5	31	7	6	-	195	195	7	9	1115
S802125.0001	S802125.T01	215	123	114	58	64	38	-	13	10	93	6.5	31	7	6	-	195	195	7	9	1215



S111

FEMALE CONNECTOR FOR WELDING MACHINE PANEL



Materials:

Phenolic resin.
Resistant to oils and greases.
Resistant to high temperatures.

Surface finish:

Glossy.

Colour:

Black (RAL 9011).

Inserts:

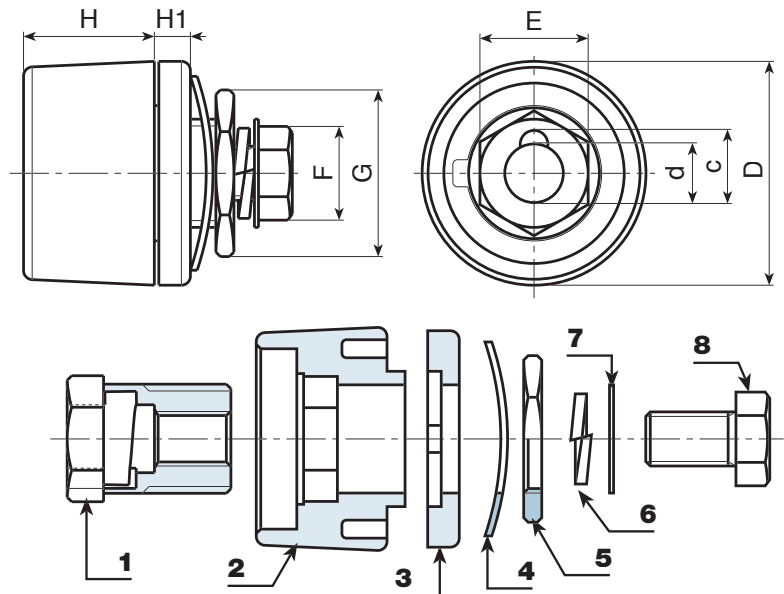
- (1) Brass insert with female connector EN 60794:12.
- (4) F25-00: Black-oxide treated steel toothed washer DIN 6798.
- (4) F35-00: Black-oxide treated steel corrugated washer DIN 137.
- (4) F70-95: Black-oxide treated steel corrugated washer DIN 137.
- (5) Yellow passivated steel threaded hexagon ring nut.
- (6) Black-oxide treated steel split washer UNI 1751.
- (7) Yellow passivated steel washer.
- (8) Yellow passivated hex head screw DIN933/UNI 5739.


Special Requests:

- None.



S111+S112



Code	art.	D	H	H1	d	c	E	F	G		Amp. Max
S111.0001	S111.F2500	33	14	4	9	11	14	13	22	50	200
S111.0008	S111.F3550	50.5	29	7	13	16	21	17	27	153	400
S111.0010	S111.F7095	50.5	29	7	13	16	24	19	32	202	500

S114

MALE CONNECTOR FOR PANEL



Materials:

Phenolic resin.
Resistant to oils and greases.
Resistant to high temperatures.

Surface finish:

Glossy.

Colour:

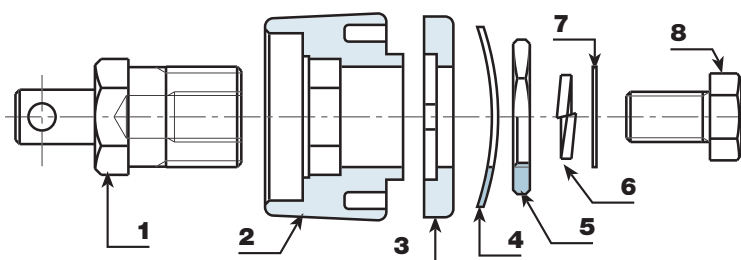
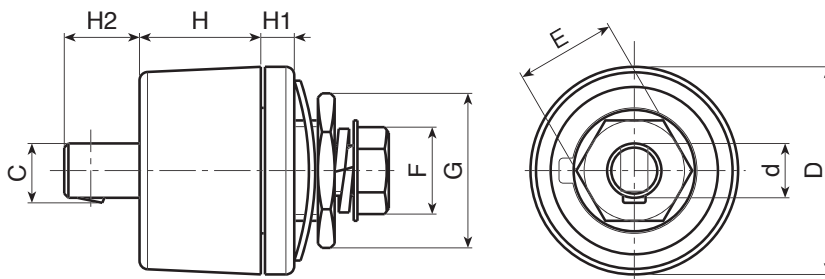
Black (RAL 9011).

Inserts:

- (1) Brass insert with male connector UNI.
- (4) F25-00: Black-oxyde treated steel toothed washer DIN 6798.
- (4) F35-00: Black-oxyde treated steel corrugated washer DIN 137.
- (4) F70-95: Black-oxyde treated steel corrugated washer DIN 137.
- (5) Yellow passivated steel threaded hexagon ring nut.
- (6) Black-oxyde treated steel split washer UNI 1751.
- (7) Yellow passivated steel washer.
- (8) Yellow passivated hex head screw DIN933/UNI 5739.

Special Requests:

- None.



19

S114+S113



Code	art.	D	H	H1	H2	d	c	E	F	G	9	Amp. Max
S114.0001	S114.M2500	33	14	4	7	9	9.5	14	13	22	60	200
S114.0002	S114.M3550	50.5	29	7	9	13	14	21	17	27	194	400
S114.0003	S114.M7000	50.5	29	7	9	13	14	24	19	32	242	500



S117



FEMALE CONNECTOR FOR PANEL TP (SUITABLE FOR INVERTER ONLY)

Materials:

(2-3) Reinforced polyamide.
Resistant to oils and greases.

Surface finish:

Satin.

Colour:

Black (RAL 9011).

Inserts:

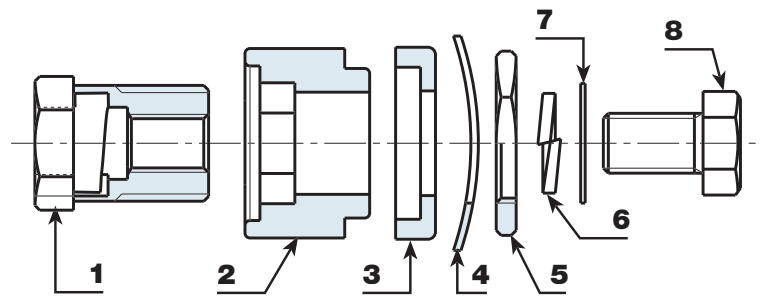
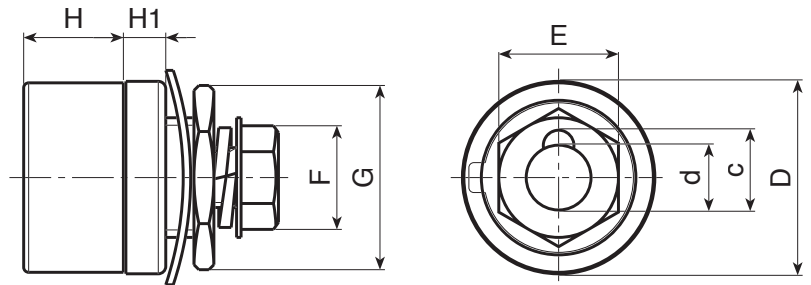
- (1) Brass insert with female connector UNI.
- (4) Black-oxide treated steel corrugated washer DIN 137.
- (5) Yellow passivated steel threaded hexagon ring nut.
- (6) Black-oxide treated steel split washer UNI 1751.
- (7) Yellow passivated steel washer.
- (8) Yellow passivated hex head screw DIN933/UNI 5739.

Special Requests:

- None.



S117+S112



Code	art.	D	H	H1	d	c	E	F	G		Amp. Max
S117.0001	S117.F3550	38	20	8	13	16	21	17	27	121	200

S118



MALE CONNECTOR FOR PANEL TP (SUITABLE FOR INVERTER ONLY)

Materials:

(2-3) Reinforced polyamide.
Resistant to oils and greases.

Surface finish:

Satin.

Colour:

Black (RAL 9011).

Inserts:

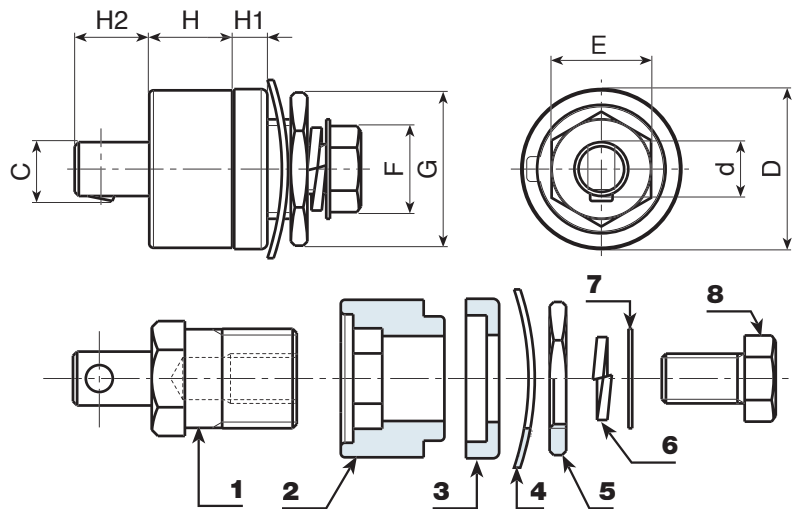
- (1) Brass insert with male connector UNI.
- (4) Black-oxyde treated steel corrugated washer DIN 137.
- (5) Yellow passivated steel threaded hexagon ring nut.
- (6) Black-oxyde treated steel split washer UNI 1751.
- (7) Yellow passivated steel washer.
- (8) Yellow passivated hex head screw DIN933/UNI 5739.

Special Requests:

- None.



S118+S113



Code	art.	D	H	H1	H2	d	c	E	F	G		Amp. Max
S118.0001	S118.M3550	38	20	8	17	13	14	21	17	27	160	200

S112

MALE CABLE CONNECTOR



Materials:

(4) Polypropylene and SBS rubber alloy, 75 Shore.
Resistant to oils and greases.

Surface finish:

Smooth.

Colour:

Black (RAL 9011).

Inserts:

- (1) Brass insert with male connector EN 60794:12.
- (2) Soft copper cable collector tube.
- (3) Hexagon socket grub screw DIN 913-45H (for version M95-00 no. 2 grub screws).

Special Requests:

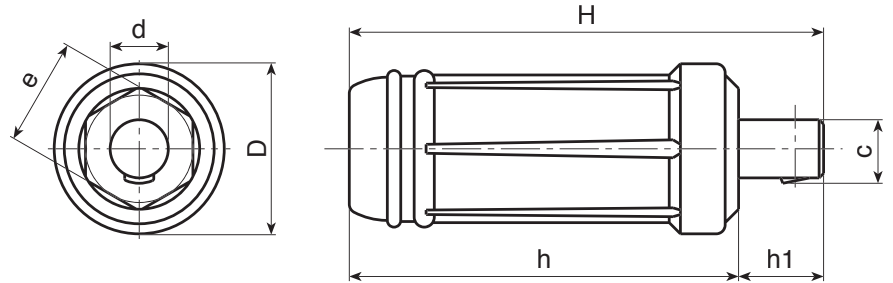
- None.



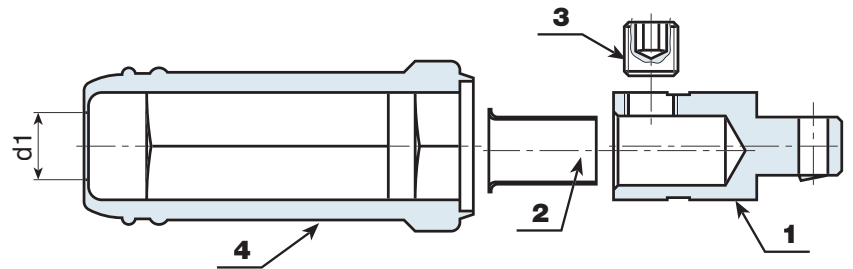
S111+S112



S112+S117



S112+S113



Code	art.	D	H	h	h1	d	c	e	d1	⚖	Amp. Max
S112.0001	S112.M2500	24.5	70	59	11	9	10	14	8.5	37	200
S112.0003	S112.M3550	35	106	87	19	13	14.5	21	11	130	250
S112.0004	S112.M7000	38	106	87	19	13	14.5	24	15.5	148	400
S112.0006	S112.M9500	38	106	87	19	13	14.5	24	15.5	200	500

S113

FEMALE CABLE CONNECTOR



Materials:

(4) Polypropylene and SBS rubber alloy, 75 Shore.
Resistant to oils and greases.

Surface finish:

Smooth.

Colour:

Black (RAL 9011).

Inserts:

(1) Brass insert with female connector EN 60794:12.
(2) Soft copper cable collector tube.
(3) Hexagon socket grub screw DIN 913-45H (for version F95-00 no. 2 grub screws).

Special Requests:

- None.



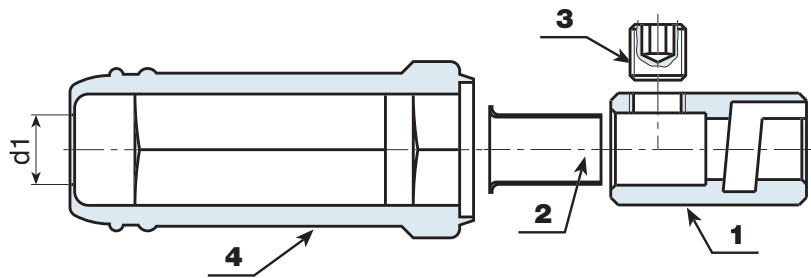
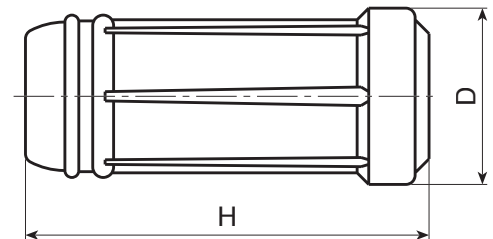
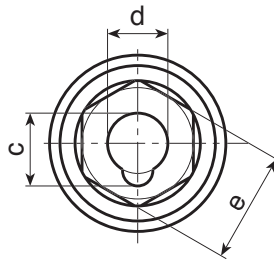
S113+S112



S113+S114



S113+S118



Code	art.	D	H	d	c	e	d1	⚖	Amp. Max
S113.0001	S113.F2500	24.5	59	9	10.5	14	8.5	38	200
S113.0002	S113.F3550	35	87	13	16	21	11	104	250
S113.0003	S113.F7000	38	87	13	16.5	24	15.5	151	400
S113.0004	S113.F9500	38	87	13	16	24	15.5	188	500

S601:

BUMPER CAP (FIXED BASE FOOT)



Materials:

Polypropylene and TPV rubber alloy, 75 Shore.
Resistant to oils and greases.

Surface finish:

Smooth.

Colour:

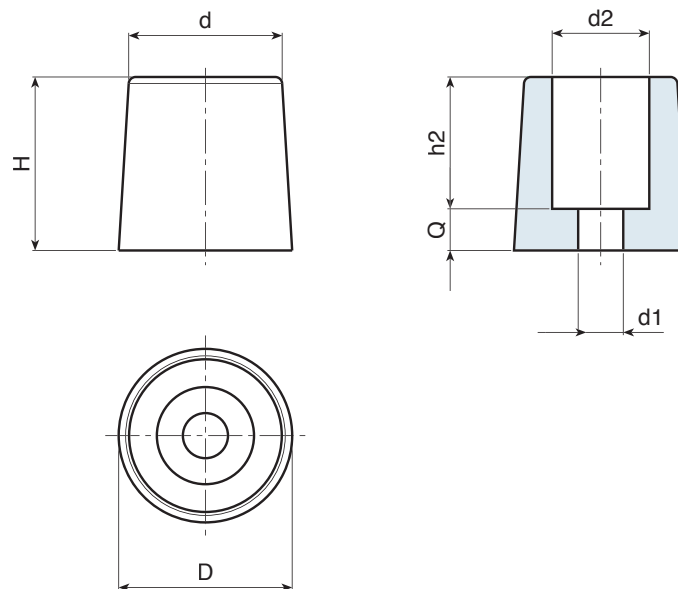
Black (RAL 9011).

Hole:

Smooth through hole obtained by moulding the plastic.

Special requests:

- None.



Code	art.	D	H	d	d2	h2	Q	d1	
S60122.0001	S60122.E01	23	17.5	21	11	8	9.5	4	13
S60125.0001	S60125.D01	25	25	22	14	19	6.5	6.5	17

S600

CABLE CLAMP WITH HEXAGONAL RING NUT



Materials:

Reinforced polyamide.
Resistant to oils and greases.

Surface finish:

Satin.

Colour:

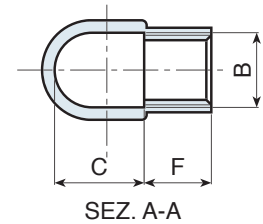
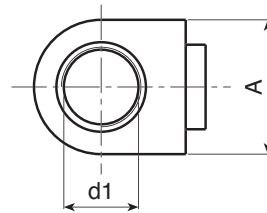
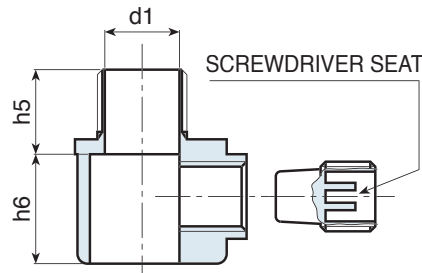
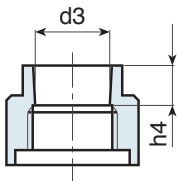
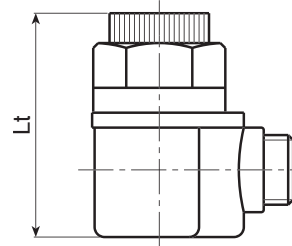
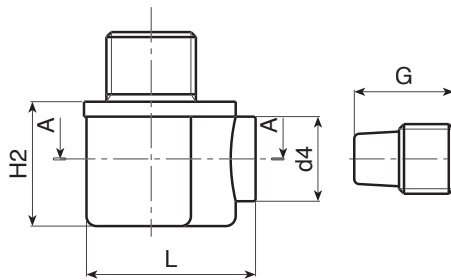
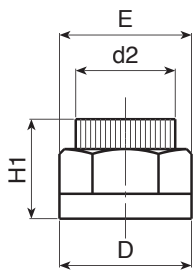
Black (RAL 9011).

Hole:

Smooth through hole obtained by moulding the plastic.

Special Requests:

- None.



19

Code	art.	B	C	D	E	F	G	L	H1	H2	h4	h5	h6	d1	d2	d3	d4	Lt	
S60038.0001	S60038.TG1001	M14	17.5	26	23	14.5	19	34.5	20	22	7	16.5	19	10.5	19	14	17	43	13
S60038.0002	S60038.TG1101	M14	17.5	26	23	14.5	19	34.5	20	22	7	16.5	19	11.5	19	14	17	43	13
S60038.0003	S60038.TG1401	M14	17.5	26	23	14.5	19	34.5	20	22	7	16.5	19	14.5	19	14	17	43	13



S599

PANEL CABLE CLAMP



Materials:

Reinforced polyamide.
Resistant to oils and greases.

Surface finish:

Satin.

Colour:

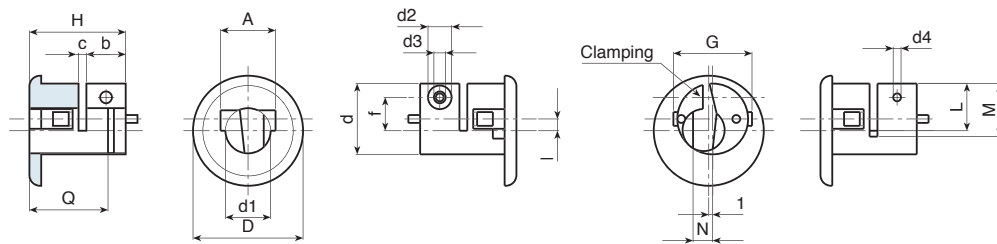
Black (RAL 9011).

Hole:

Smooth through hole obtained by moulding the plastic.

Special Requests:

- None.



Code	art.	D	H	d	d1	d2	d3	d4	A	b	c	f	G	I	L	M	N	Q	g
S59928.0001	S59928.T01	28	25	18	11.5	6	3	2	14	10	2	8.5	20	3	12	15	5	13	65

S860

TORCH CONNECTOR FRONT PROTECTION



Materials:

Reinforced polyamide.
Resistant to oils and greases.

Surface finish:

Satin.

Colour:

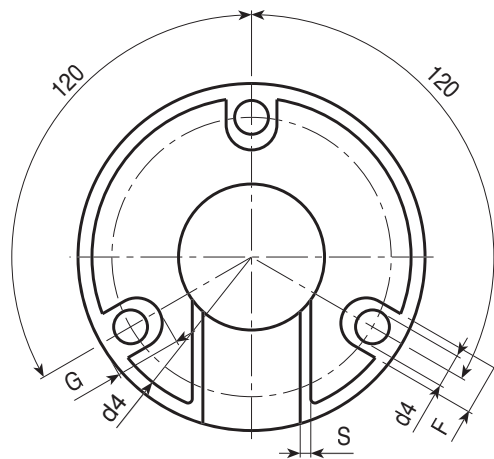
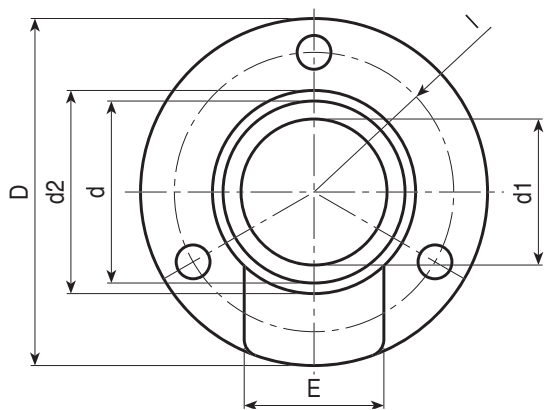
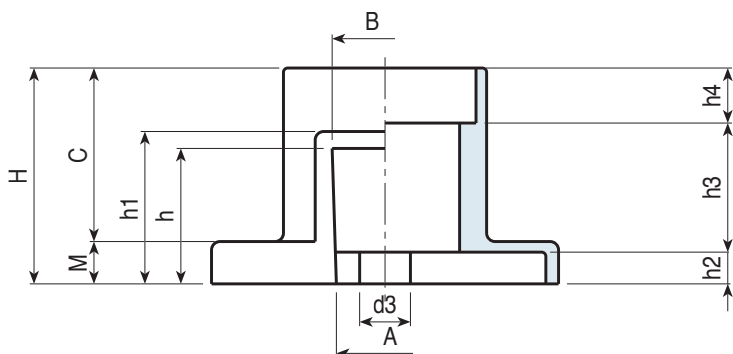
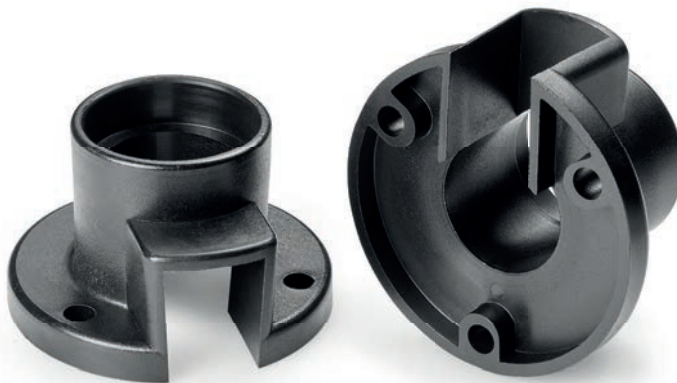
Black (RAL 9011).

Hole:

Smooth through hole obtained by moulding the plastic.

Special Requests:

- None.



19

Code	art.	D	H	A	B	C	E	F	G	I	M	S	h	h1	h2	h3	h4	d	d1	d2	d3	d4	g
S860.0001	S860.T01	82	51	23	25	41	34.5	12	15.5	33	10	2.5	32	36	7.5	30.5	13	43	34.5	50	12	8	65



S228

SHORT-NECK WASHER PAIR



Materials:

Reinforced polyamide.
Resistant to oils and greases.

Surface finish:

Smooth.

Colour:

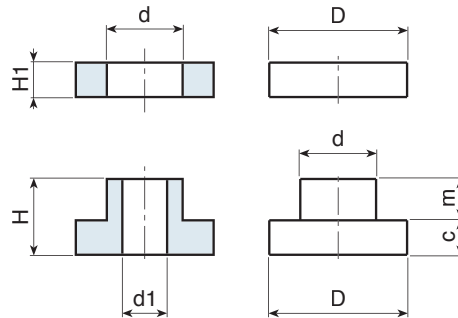
Black (RAL 9011).

Hole:

Smooth through hole obtained by moulding the plastic.

Special Requests:

- None.



Code	art.	D	H	d	H1	m	c	d1	g
S22820C.0001	S22820C.TG06	20	11	11	5	6.5	4.5	6.5	9

S229

INSULATING WASHER PAIR



Materials:

Reinforced polyamide.
Resistant to oils and greases.

Surface finish:

Smooth.

Colour:

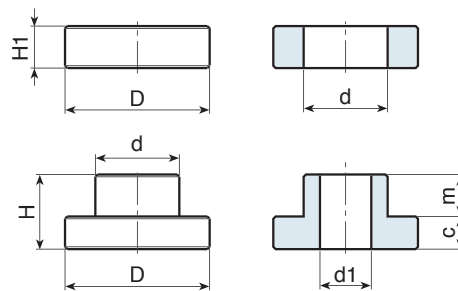
Black (RAL 9011).

Hole:

Smooth through hole obtained by moulding the plastic.

Special Requests:

- None.



Code	art.	D	H	d	H1	m	c	d1	g
S22931C.0001	S22931C.TG10	31	16	17.5	8.5	9	7	10.5	13

S230

INSULATING WASHER PAIR



Materials:

Phenolic resin.
Resistant to oils and greases.
Resistant to high temperatures.

Surface finish:

Glossy.

Colour:

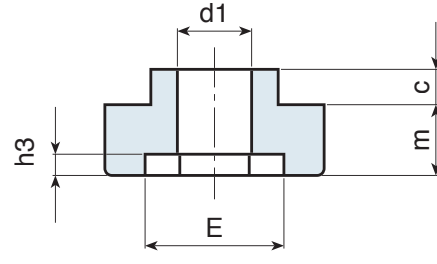
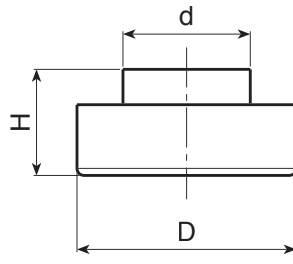
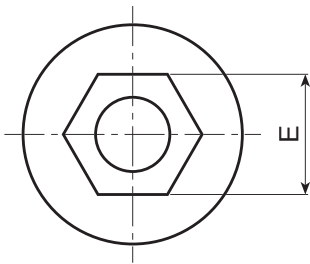
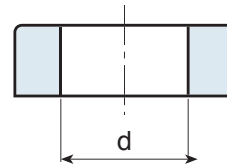
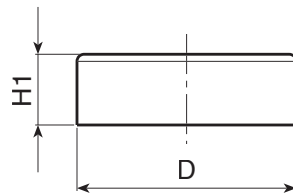
Black (RAL 9011).

Hole:

Smooth through hole obtained by moulding the plastic.

Special Requests:

- None.



19

Code	art.	D	d	H	H1	c	m	E	h3	d1	
S23020C.0001	S23020C.BG06	20	11	12	5	4	8	10	3	6,5	8
S23031C.0001	S23031C.BG08	31	18	15	10,5	4,5	10,5	13	3	9	22
S23031C.0003	S23031C.BG10	31	18	15	10	5	10	17	3	10,5	18
S23031C.0003	S23031C.BG12	31	18	15	10,5	4,5	10,5	19	3	13,5	15
S23038C.0001	S23038C.BG14	35	22	18	10	5	12	22	5	14,5	24



S231

INSULATING WASHER PAIR WITH LOBED LOCKING KNOB



Materials:

Phenolic resin.
Resistant to oils and greases.
Resistant to high temperatures.

Surface finish:

Glossy.

Colour:

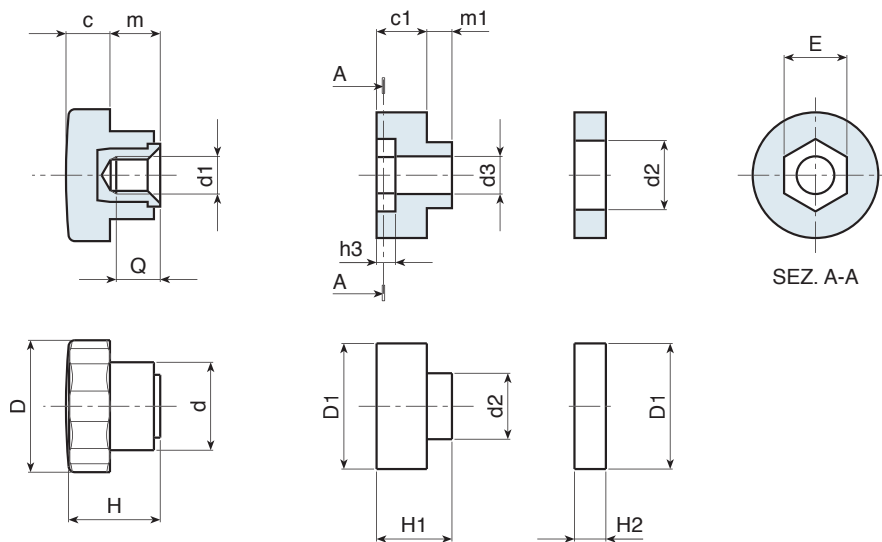
Black (RAL 9011).

Insert:

Brass insert with blind threaded bore, (thread tolerance 6H).

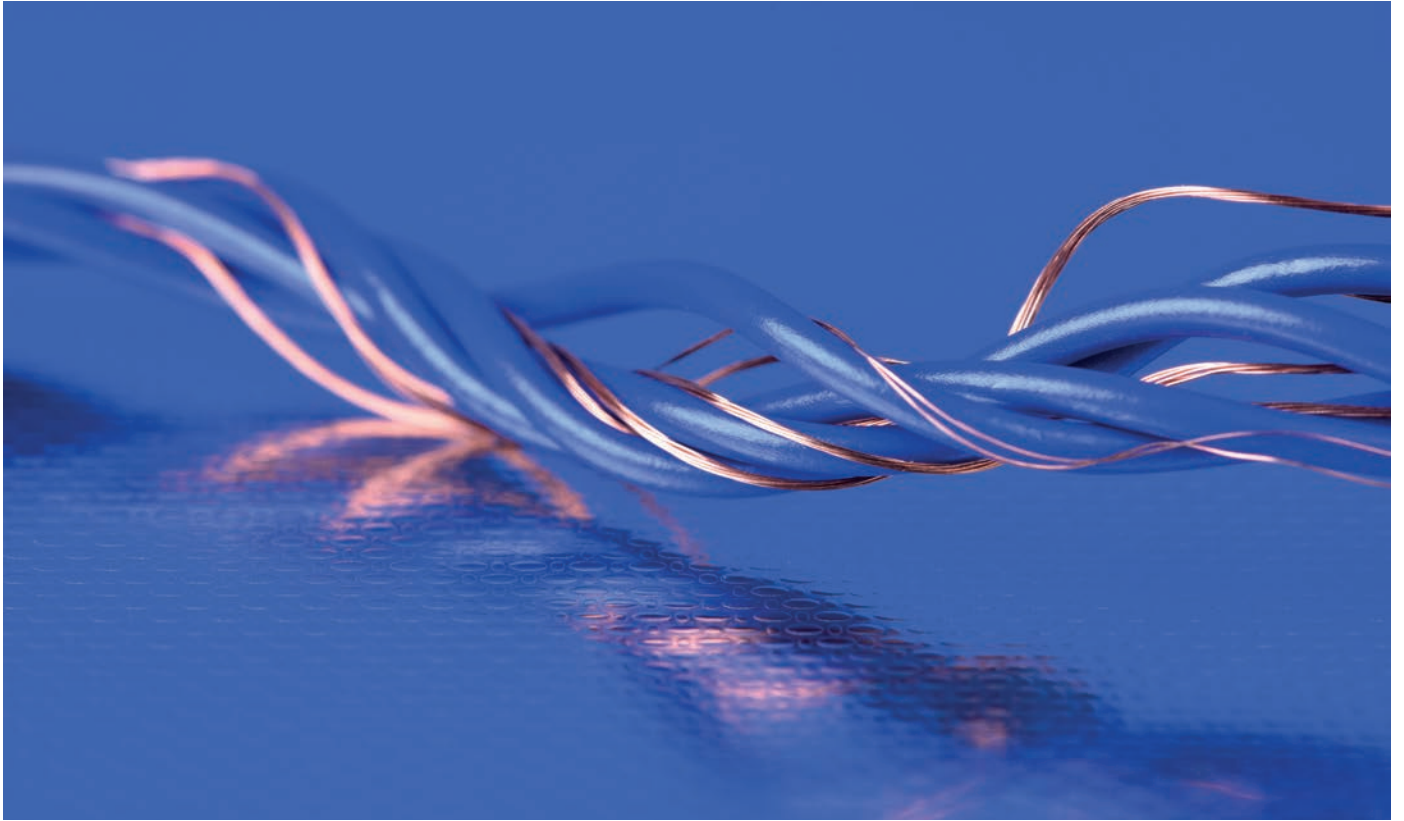
Special Requests:

- None.



Code	art.	D	D1	d	d1	d2	d3	c	m	c1	m1	H	H1	H2	h3	E	Q	g
S23120C.0001	S23120C.BM06VOL	22	20	14	M6	11	6	7	8	8	4	15	12	5	3	10	7	13





TWIST THE ORDER OF THINGS.

