

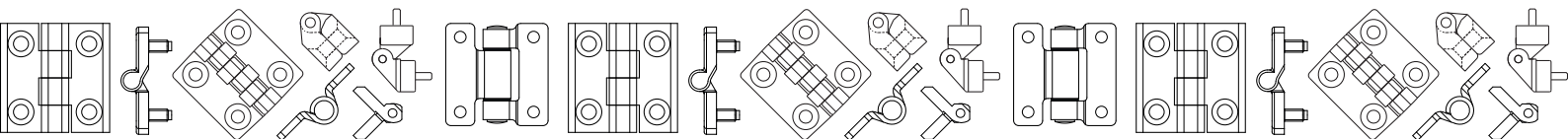


GROUP - 15

PLASTIC AND METAL HINGES

BOTECO Plastic and Metal Hinges

Boteco hinges are available in plastic and metal. They are all designed to be sturdy and functional and the range is in continual expansion. For detailed information on the specifications of each individual product please consult the technical sheet.



O460

HINGE WITH ADJUSTABLE FRICTION AND THROUGH HOLE



Materials:

Reinforced polyamide.
Resistant to oils and greases.

Surface finish:

Satin.

Colour:

Black (RAL 9011).

Inserts:

- (4) Galvanised steel pin.
- (1) Stainless steel friction adjusting screw (Aisi 304).
- (2) Stainless steel nut for adjusting screw (Aisi 304).
- (3) Pivot pin cap in PA6.

Hole:

Through hole obtained by moulding the plastic for fixing screw
(O460032=M04 O460047=M06).

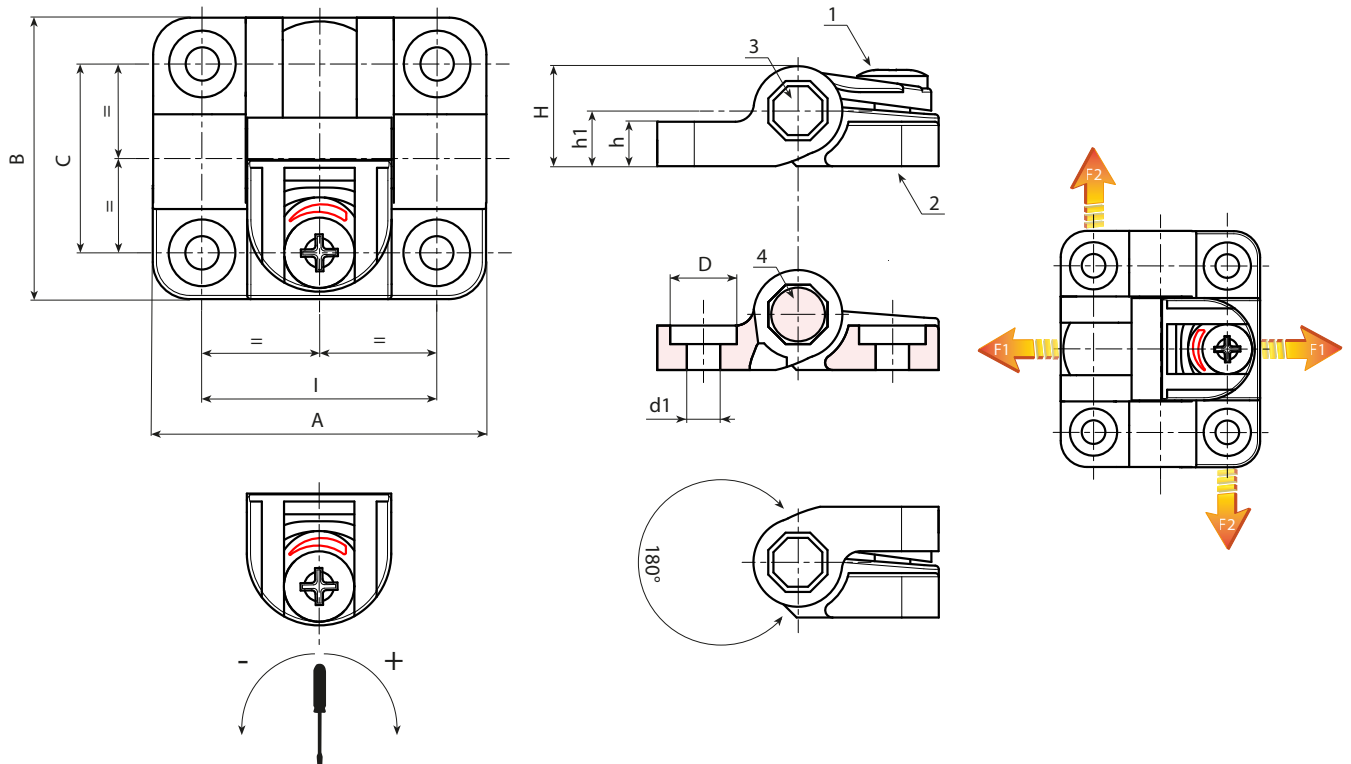
Adjusting the friction device:

Using a screw driver to turn the adjusting screw (1), the friction can be set to a maximum of:

- O460032: 0.8 Nm.
- O460047: 4 Nm.

Special Requests:

- None.



Code	art.	I	C	A	B	H	h	h1	D	d1	g	F1 (N)	F2 (N)
O460032.0001	O460032.TG04.501	32	25,5	45	38	13,5	6	7,5	9	4,5 (M4)	17	700	1400
O460047.0001	O460047.TG06.501	47,5	38	63,5	58	20,5	8,5	11,5	12,5	6,5 (M6)	47	1500	2250



O470



PA6
+G.F.

UL94
HB

RoHS
COMPLIANT

DETENT HINGE WITH PRESET POSITIONS AND HOLE COVER CAP

Materials:

Reinforced polyamide.
Resistant to oils and greases.

Surface finish:

Satin.

Colour:

Black (RAL 9011).

Inserts:

Galvanised steel pin;
Stainless steel thrust and lock springs (Aisi 302);
(1) Pin cap in PA6.
(2) Hole cover cap in reinforced PA6.

Hole:

Through hole obtained by moulding the plastic, for screw M05.

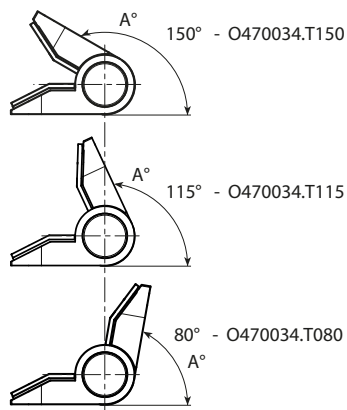
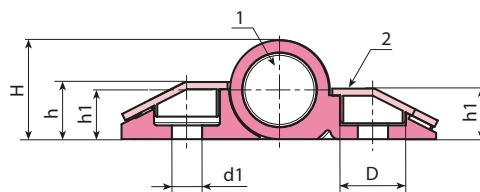
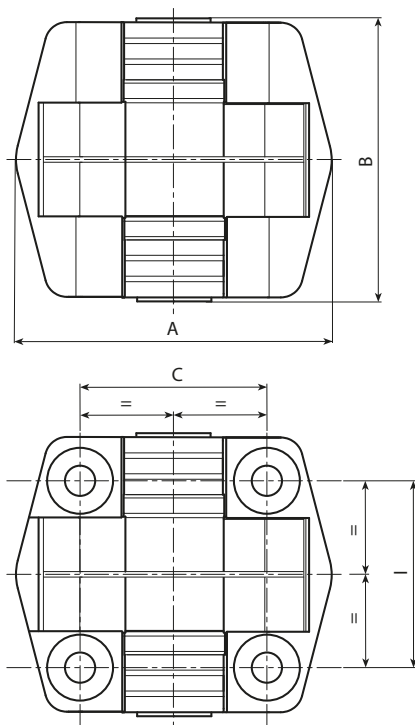
Preset positions:

The springs that act on the pivot pin have three torque calibrations: 0.7 Nm, 1.1 Nm and 1.7 Nm. The preset detent positions are: 80° - 115° - 150°.

Attention: a version of the hinge without springs with free movement to 180° is also available (code O470034.TG5.501).

Special Requests:

- None.



Code	art.	I/C	A°	Nm	A	B	H	h	h1	D	d1	g
O470034.0001	O470034.TG5.501	34	180°	-	57	51	18	10,5	9	10,5	5,5	43
O47034.0001	O47034.T080G5.501N0.7	34	80°	0,7	57	51	18	10,5	9	10,5	5,5	43
O47034.0002	O47034.T080G5.501N1.1	34	80°	1,1	57	51	18	10,5	9	10,5	5,5	43
O47034.0003	O47034.T080G5.501N1.7	34	80°	1,7	57	51	18	10,5	9	10,5	5,5	43
O47034.0004	O47034.T115G5.501N0.7	34	115°	0,7	57	51	18	10,5	9	10,5	5,5	43
O47034.0005	O47034.T115G5.501N1.1	34	115°	1,1	57	51	18	10,5	9	10,5	5,5	43
O47034.0006	O47034.T115G5.501N1.7	34	115°	1,7	57	51	18	10,5	9	10,5	5,5	43
O47034.0007	O47034.T150G5.501N0.7	34	150°	0,7	57	51	18	10,5	9	10,5	5,5	43
O47034.0008	O47034.T150G5.501N1.1	34	150°	1,1	57	51	18	10,5	9	10,5	5,5	43
O47034.0009	O47034.T150G5.501N1.7	34	150°	1,7	57	51	18	10,5	9	10,5	5,5	43

O410

SHIM FOR HINGE O400



PA6
+G.F.

UL94
HB



Materials:

Reinforced polyamide.
Resistant to oils and greases.

Surface finish:

Satin.

Colour:

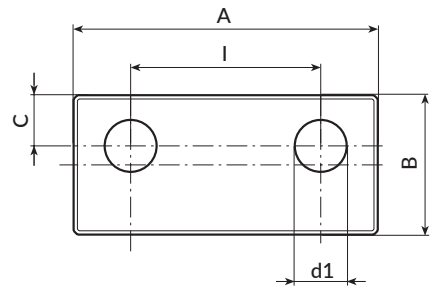
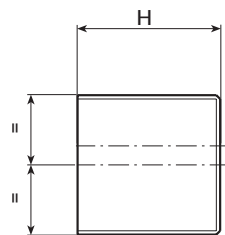
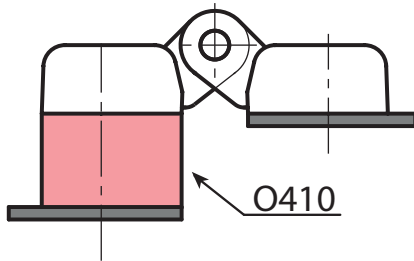
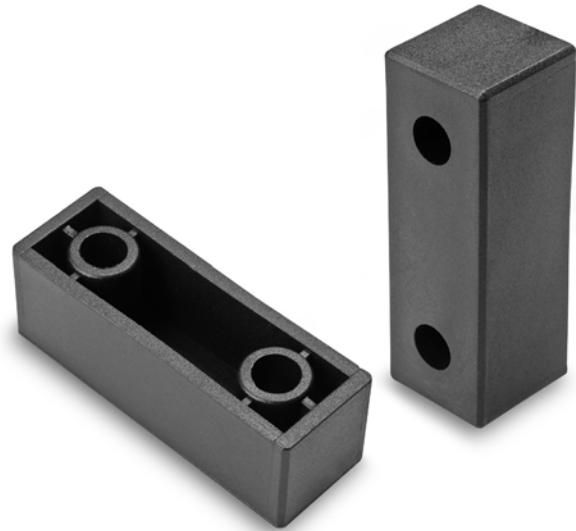
Black (RAL 9011).

Hole:

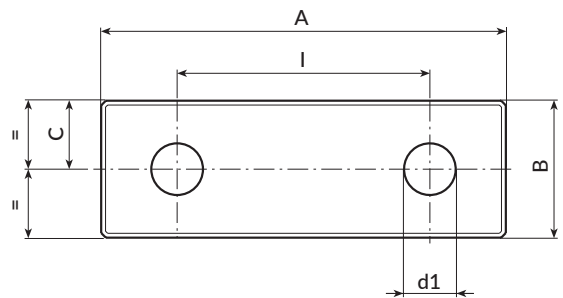
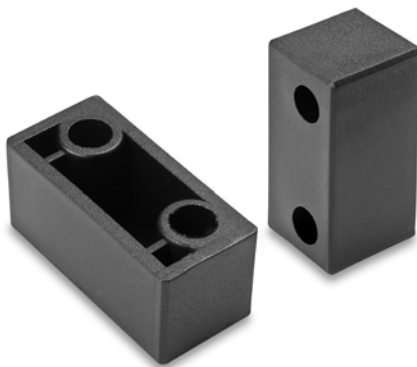
Through hole obtained by moulding the plastic.

Special Requests:

- Upon request and for special quantities available in the colours indicated in the chart [page 959].



O41030



O41040

O410-30

Code	art.	I	C	A	B	H	d1	
O41030.0001	O41030.TG08.501	30	8	48	22	22.5	8.5	19
O41040.0001	O41040.TG08.501	40	11	65	22	22.5	8.5	24

O400

HINGE WITH THROUGH HOLES



Materials:

Reinforced polyamide.
Resistant to oils and greases.

Surface finish:

Satin.

Colour:

Black (RAL 9011).

Inserts:

Galvanised steel pin.

Hole:

Version TS:

Through hole obtained by moulding the plastic. Seat for countersunk screw DIN 7991 / UNI 5933.

Version TC:

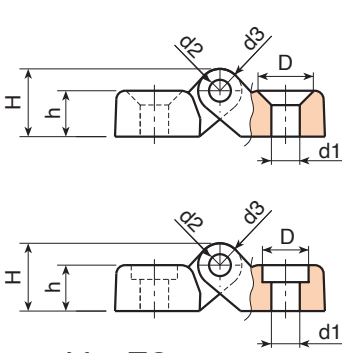
Through hole obtained by moulding the plastic. Seat for cylindrical head screw DIN 912 / UNI 5931.

Special Requests:

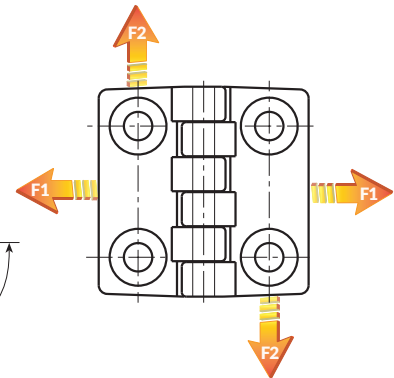
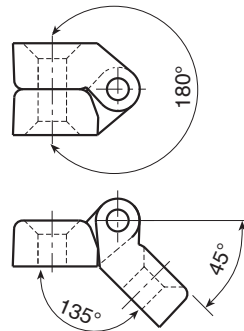
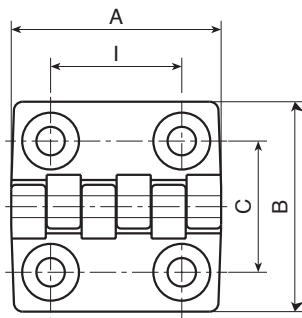
- Upon request and for special quantities available in the colours indicated in the chart [page 959].



Ver. TS



Ver. TC



Version O400-TS: with holes for countersunk head screws

Code	art.	I	C	A	B	h	H	D	d2	d3	d1	g	F1 (N)	F2 (N)
O40020.0003	O40020.TG04.501TS	20	20	32	32	7	10,5	8,5	3	7	4,5	9	1440	490
O40030.0007	O40030.TG06.501TS	30	30	48	48	10,5	15,5	12,5	5	10	6,5	27	1960	1470
O40040.0004	O40040.TG06.501TS	40	40	64	64	13	19	12,5	5	12	6,5	53	2850	1520
O40060.0003	O40060.TG08.501TS	60	63	96	96	16	24	16,5	8	16	8,5	152	4300	1810
O40060.0007	O40060.TG10.501TS	60	63	96	96	16	24	20,5	8	16	10,5	152	4300	1810

Version O400-TC: with holes for cylindrical head screws

Code	art.	I	C	A	B	h	H	D	d2	d3	d1	g	F1 (N)	F2 (N)
O40020.0001	O40020.TG04.501TC	20	20	32	32	7	10,5	7,5	3	7	4,5	9	1440	490
O40030.0005	O40030.TG06.501TC	30	30	48	48	10,5	15,5	10,5	5	10	6,5	27	1960	1470
O40040.0002	O40040.TG06.501TC	40	40	64	64	13	19	10,5	5	12	6,5	53	2850	1520
O40060.0001	O40060.TG08.501TC	60	63	96	96	16	24	13,5	8	16	8,5	152	4300	1810
O40060.0005	O40060.TG10.501TC	60	63	96	96	16	24	16,5	8	16	10,5	152	4300	1810



O400CIN

HINGE WITH THROUGH HOLES WITH STAINLESS STEEL PIN



INOX

Materials:

Reinforced polyamide.
Resistant to oils and greases.

Surface finish:

Satin.

Colour:

Black (RAL 9011).

Inserts:

Stainless steel pin (Aisi 303).

Hole:

Version TS:

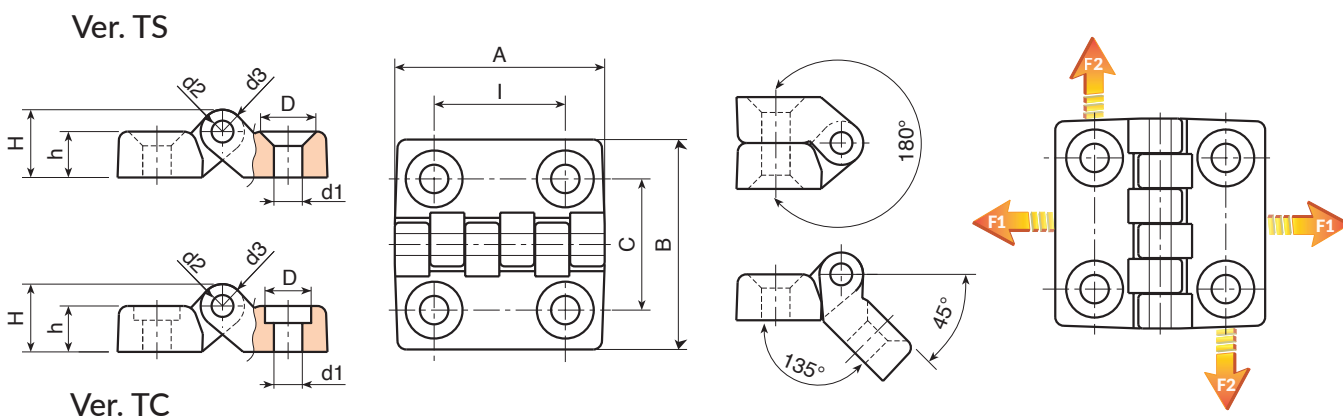
Through hole obtained by moulding the plastic. Seat for countersunk screw DIN 7991 / UNI 5933.

Version TC:

Through hole obtained by moulding the plastic. Seat for cylindrical head screw DIN 912 / UNI 5931.

Special Requests:

- Upon request and for special quantities available in the colours indicated in the chart [page 959].



Version O400-TS CIN: with holes for countersunk head screws

Code	art.	I	C	A	B	h	H	D	d2	d3	d1	g	F1 (N)	F2 (N)
O40020.0004	O40020.TG04.501TSCIN	20	20	32	32	7	10,5	8,5	3	7	4,5	9	1440	490
O40030.0008	O40030.TG06.501TSCIN	30	30	48	48	10,5	15,5	12,5	5	10	6,5	27	1960	1470
O40040.0005	O40040.TG06.501TSCIN	40	40	64	64	13	19	12,5	5	12	6,5	53	2850	1520
O40060.0004	O40060.TG08.501TSCIN	60	63	96	96	16	24	16,5	8	16	8,5	152	4300	1810
O40060.0008	O40060.TG10.501TSCIN	60	63	96	96	16	24	20,5	8	16	10,5	152	4300	1810

Version O400-TC CIN: with holes for cylindrical head screws

Code	art.	I	C	A	B	h	H	D	d2	d3	d1	g	F1 (N)	F2 (N)
O40020.0002	O40020.TG04.501TCCIN	20	20	32	32	7	10,5	7,5	3	7	4,5	9	1440	490
O40030.0006	O40030.TG06.501TCCIN	30	30	48	48	10,5	15,5	10,5	5	10	6,5	27	1960	1470
O40040.0003	O40040.TG06.501TCCIN	40	40	64	64	13	19	10,5	5	12	6,5	53	2850	1520
O40060.0002	O40060.TG08.501TCCIN	60	63	96	96	16	24	13,5	8	16	8,5	152	4300	1810
O40060.0006	O40060.TG10.501TCCIN	60	63	96	96	16	24	16,5	8	16	10,5	152	4300	1810



O430

FLAT HINGE WITH THREADED HOLE INSERT



Materials:

Reinforced polyamide.
Resistant to oils and greases.

Surface finish:

Satin.

Colour:

Black (RAL 9011).

Inserts:

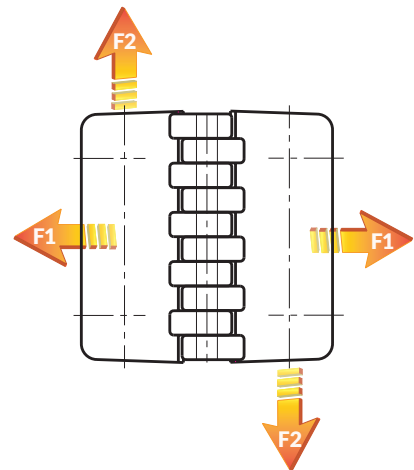
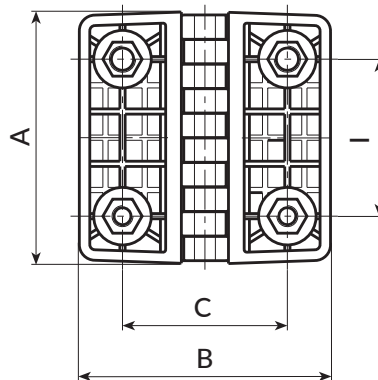
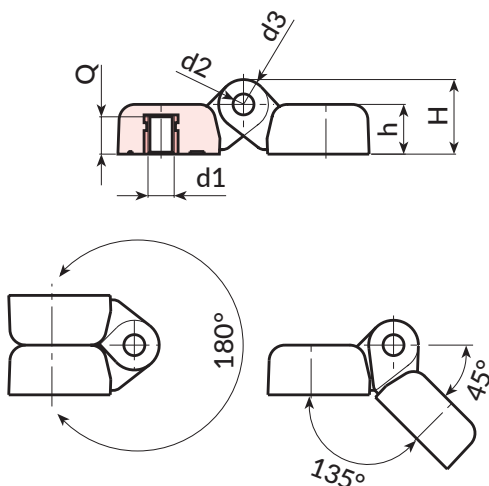
Galvanised steel pin.
Brass insert with female threaded hole (thread tolerance 6H).

Special Requests:

- Upon request and for special quantities inserts can be supplied in different materials.
- Upon request and for special quantities available in the colours indicated in the chart [page 959].



15



Code	art.	I	C	A	B	h	H	d2	d3	d16H	Q	g	F1 (N)	F2 (N)
O43030.0001	O43030.TM0501	30	30	48	48	10.5	15.5	5	10	M5	7	35	2000	1370
O43030.0002	O43030.TM0601	30	30	48	48	10.5	15.5	5	10	M6	7	35	2000	1370
O43040.0001	O43040.TM0601	40	40	64	64	13	19	5	12	M6	8,5	67	4100	1800
O43040.0004	O43040.TM0801	40	40	64	64	13	19	5	12	M8	8,5	65	4100	1800
O43060.0001	O43060.TM0801	60	63	96	96	19	28.5	8	19	M8	14	220	2450	2650
O43060.0002	O43060.TM1001	60	63	96	96	19	28.5	8	19	M10	14	228	2450	2650



O431

FLAT HINGE WITH THREADED STUD



PA6
+G.F.

UL94
HB



Materials:

Reinforced polyamide.
Resistant to oils and greases.

Surface finish:

Satin.

Colour:

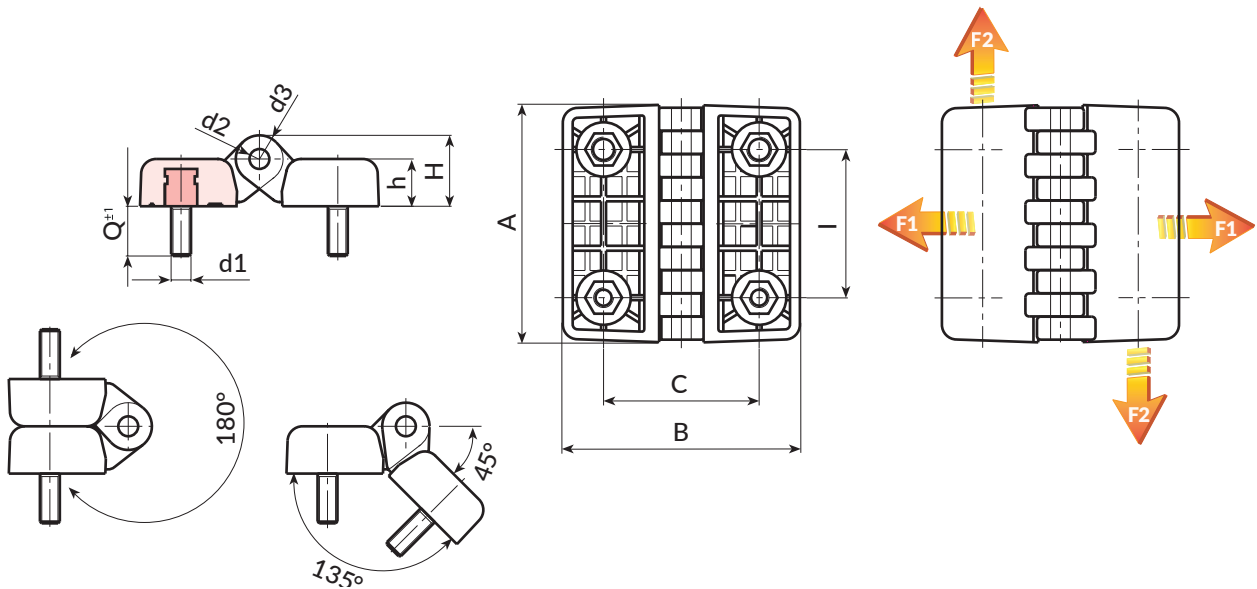
Black (RAL 9011).

Inserts:

Galvanised steel pin.
Galvanised steel threaded stud (thread tolerance 6g).

Special Requests:

- Upon request and for special quantities inserts can be supplied in different materials.
- Upon request and for special quantities available in the colours indicated in the chart [page 959].



Code	art.	l	C	A	B	h	H	d2	d3	d1 _{6g}	Q	g	F1 (N)	F2 (N)
O43130.0001	O43130.TM05X1501	30	30	48	48	10.5	15.5	5	10	M5	15	49	1780	1370
O43130.0002	O43130.TM06X1501	30	30	48	48	10.5	15.5	5	10	M6	15	52	1780	1370
O43140.0001	O43140.TM06X2001	40	40	64	64	13	19	5	12	M6	20	90	4120	1760
O43140.0003	O43140.TM08X2001	40	40	64	64	13	19	5	12	M8	20	100	4120	1760
O43160.0001	O43160.TM08X2001	60	63	96	96	19	28.5	8	19	M8	20	260	4900	1275
O43160.0002	O43160.TM10X2001	60	63	96	96	19	28.5	8	19	M10	20	278	4900	1275

O432



FLAT HINGE WITH THREADED STUD AND THREADED HOLE INSERT

Materials:

Reinforced polyamide.
Resistant to oils and greases.

Surface finish:

Satin.

Colour:

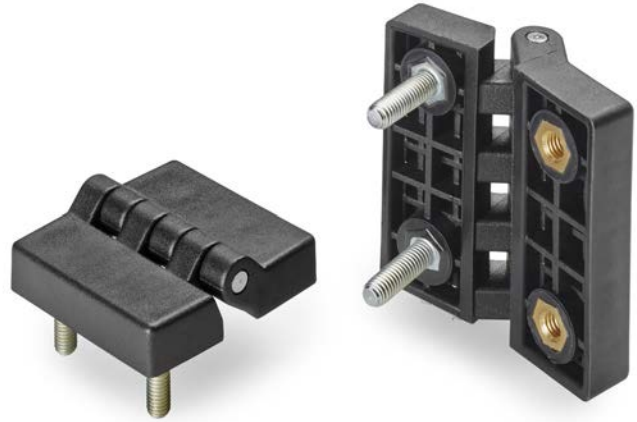
Black (RAL 9011).

Inserts:

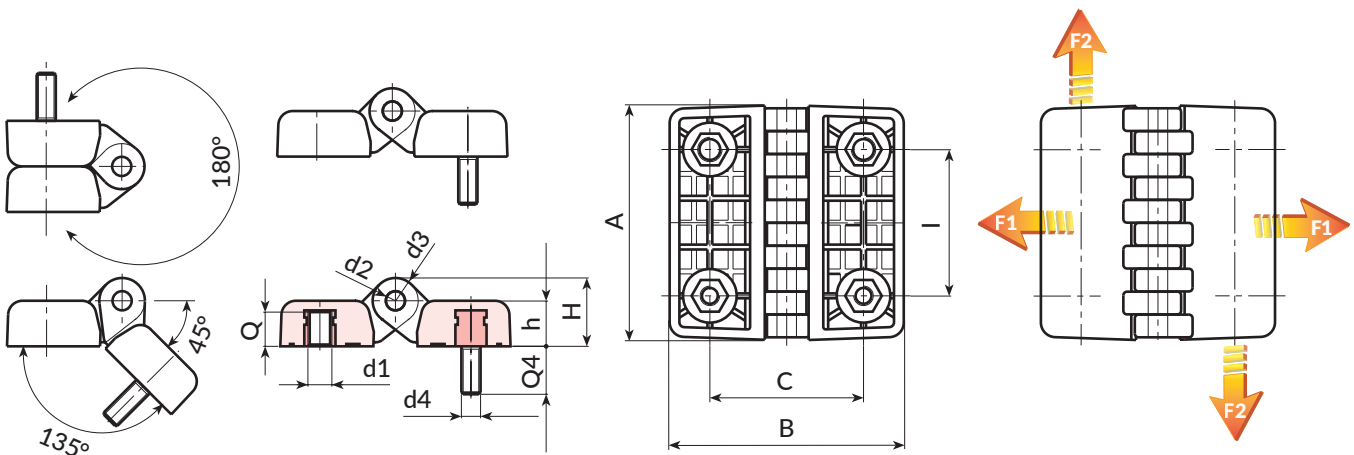
Galvanised steel pin.
Brass insert with female threaded hole (thread tolerance 6H).
Galvanised steel threaded stud (thread tolerance 6g).

Special Requests:

- Upon request and for special quantities inserts can be supplied in different materials.
- Upon request and for special quantities available in the colours indicated in the chart [page 959].



15



Code	art.	l	C	A	B	h	H	d2	d3	d1-d4	Q	Q4	g	F1(N)	F2(N)
O43230.0001	O43230.TM0501	30	30	48	48	10.5	15.5	5	10	M05	7	15	40	1850	1350
O43230.0002	O43230.TM0601	30	30	48	48	10.5	15.5	5	10	M06	7	15	41	1850	1350
O43240.0001	O43240.TM0601	40	40	64	64	13	19	5	12	M06	8,5	20	73	4000	1600
O43240.0002	O43240.TM0801	40	40	64	64	13	19	5	12	M08	8,5	20	85	4000	1600
O43260.0001	O43260.TM0801	60	63	96	96	19	28.5	8	19	M08	14	20	240	3100	1400
O43260.0003	O43260.TM1001	60	63	96	96	19	28.5	8	19	M10	14	20	250	3100	1400



O433



FLAT HINGE WITH THROUGH HOLE AND THREADED HOLE INSERT

Materials:

Reinforced polyamide.
Resistant to oils and greases.

Surface finish:

Satin.

Colour:

Black (RAL 9011).

Inserts:

Galvanised steel pin.
Brass insert with female threaded hole (thread tolerance 6H).

Hole:

Version TS:

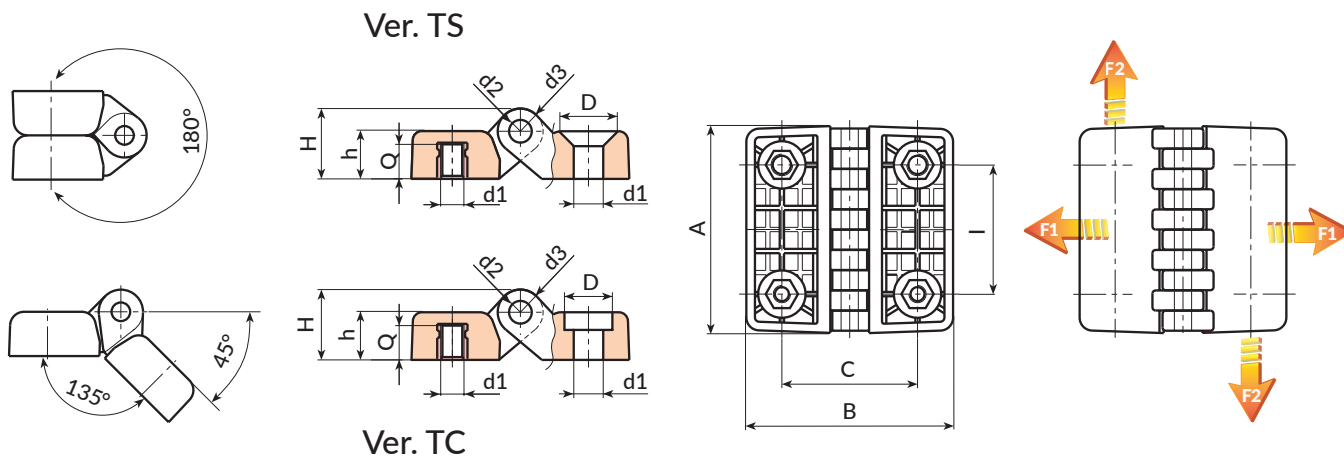
Through hole obtained by moulding the plastic. Seat for countersunk screw DIN 7991 / UNI 5933.

Version TC:

Through hole obtained by moulding the plastic. Seat for cylindrical head screw DIN 912 / UNI 5931.

Special Requests:

- Upon request and for special quantities inserts can be supplied in different materials.
- Upon request and for special quantities available in the colours indicated in the chart [page 959].



Version O433-TS: with holes for countersunk head screws

Code	art.	I	C	A	B	h	H	D	d2	d3	d1	Q	g	F1 (N)	F2 (N)
O43330.0002	O43330.TM0601TS	30	30	48	48	10,5	15,5	12,5	5	10	M6/ 6,5	7	31	2000	1450
O43340.0002	O43340.TM0601TS	40	40	64	64	13	19	12,5	5	12	M6/ 6,5	8,5	60	3500	1650

Version O433-TC: with holes for cylindrical head screws

Code	art.	I	C	A	B	h	H	D	d2	d3	d1	Q	g	F1 (N)	F2 (N)
O43330.0001	O43330.TM0601TC	30	30	48	48	10,5	15,5	10,5	5	10	M6/ 6,5	7	31	2000	1450
O43340.0001	O43340.TM0601TC	40	40	64	64	13	19	10,5	5	12	M6/ 6,5	8,5	60	3500	1650



O434



FLAT HINGE WITH THREADED STUD AND THROUGH HOLE

Materials:

Reinforced polyamide.
Resistant to oils and greases.

Surface finish:

Satin.

Colour:

Black (RAL 9011).

Inserts:

Galvanised steel pin.
Galvanised steel threaded stud (thread tolerance 6g).

Hole:

Version TS:

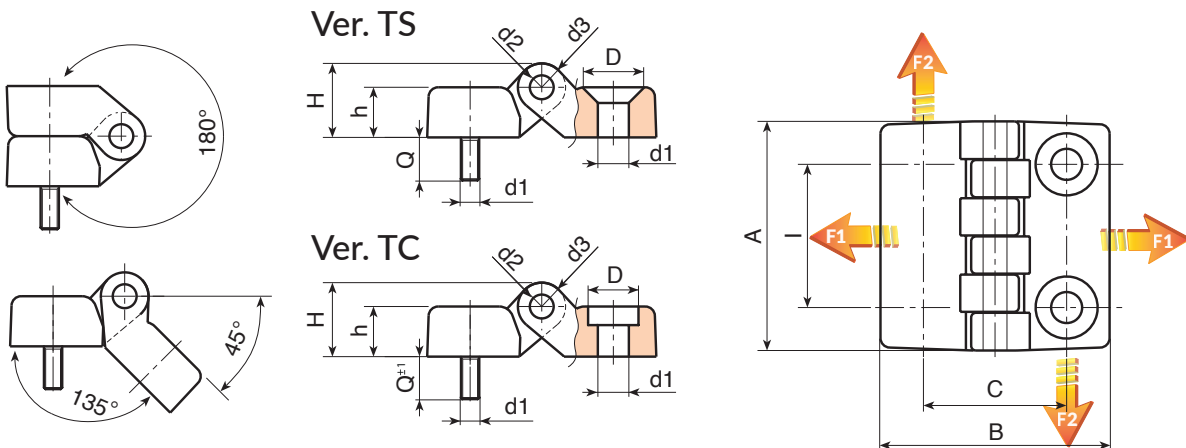
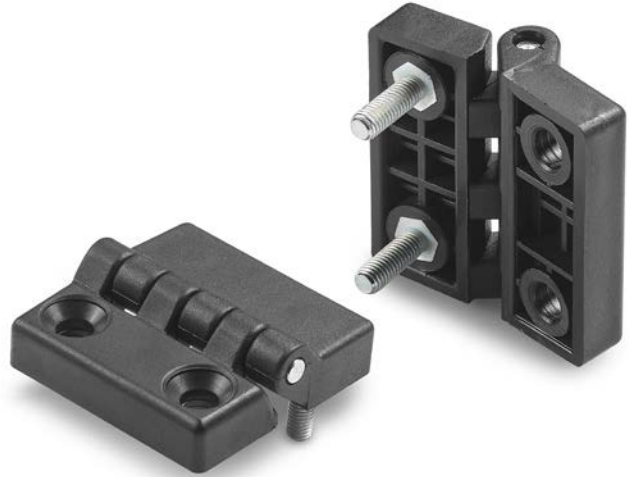
Through hole obtained by moulding the plastic. Seat for countersunk screw DIN 7991 / UNI 5933.

Version TC:

Through hole obtained by moulding the plastic. Seat for cylindrical head screw DIN 912 / UNI 5931.

Special Requests:

- Upon request and for special quantities inserts can be supplied in different materials.
- Upon request and for special quantities available in the colours indicated in the chart [page 959].



Version O434-TS: with holes for countersunk head screws

Code	art.	l	C	A	B	h	H	D	d2	d3	d1	Q	g	F1 (N)	F2 (N)
O43430.0002	O43430.TM0601TS	30	30	48	48	10,5	15,5	12,5	5	10	M6/ 6,5	15	31	2000	1450
O43440.0002	O43440.TM0601TS	40	40	64	64	13	19	12,5	5	12	M6/ 6,5	20	60	3500	1650

Version O434-TC: with holes for cylindrical head screws

Code	art.	l	C	A	B	h	H	D	d2	d3	d1	Q	g	F1 (N)	F2 (N)
O43430.0001	O43430.TM0601TC	30	30	48	48	10,5	15,5	10,5	5	10	M6/ 6,5	15	31	2000	1450
O43440.0001	O43440.TM0601TC	40	40	64	64	13	19	10,5	5	12	M6/ 6,5	20	60	3500	1650



O402

FLAT HINGE WITH LOWERED PIVOT PIN AND THROUGH HOLES



Materials:

Reinforced polyamide.
Resistant to oils and greases.

Surface finish:

Satin.

Colour:

Black (RAL 9011).

Inserts:

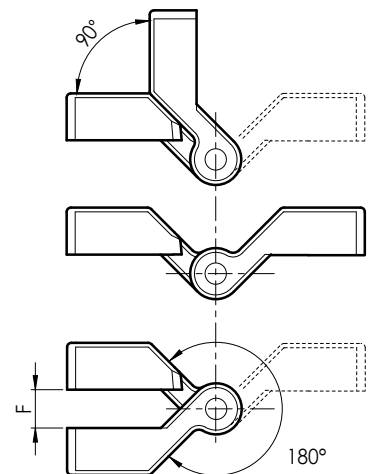
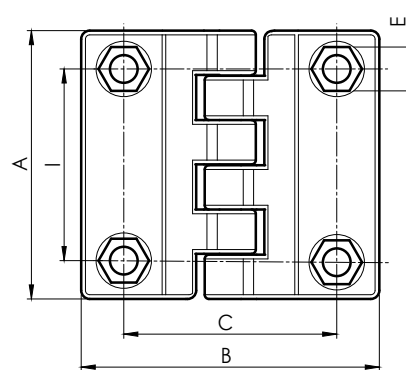
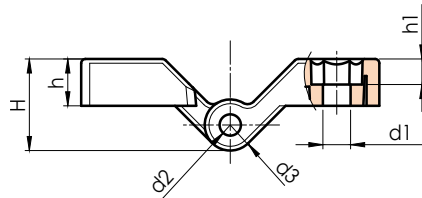
Galvanised steel pin.

Hole:

Through hole obtained by moulding the plastic. Hole for hex head screw UNI 5727.

Special Requests:

- Upon request and for special quantities available in the colours indicated in the chart [page 959].



Code	art.	I	C	A	B	E	F	h	h1	H	d2	d3	d1	
O402045.0001	O402045.TG06.501	45	50	63	70	10	9	11	6	21.5	5	12	6.5	45



O450

+135°
-30°

PA6
+G.F.

UL94
HB

RoHS
COMPLIANT

UNIVERSAL HINGE WITH THREADED INSERT TO MOUNT STRAIGHT DOOR

Materials:

Reinforced polyamide.
Resistant to oils and greases.

Surface finish:

Satin.

Colour:

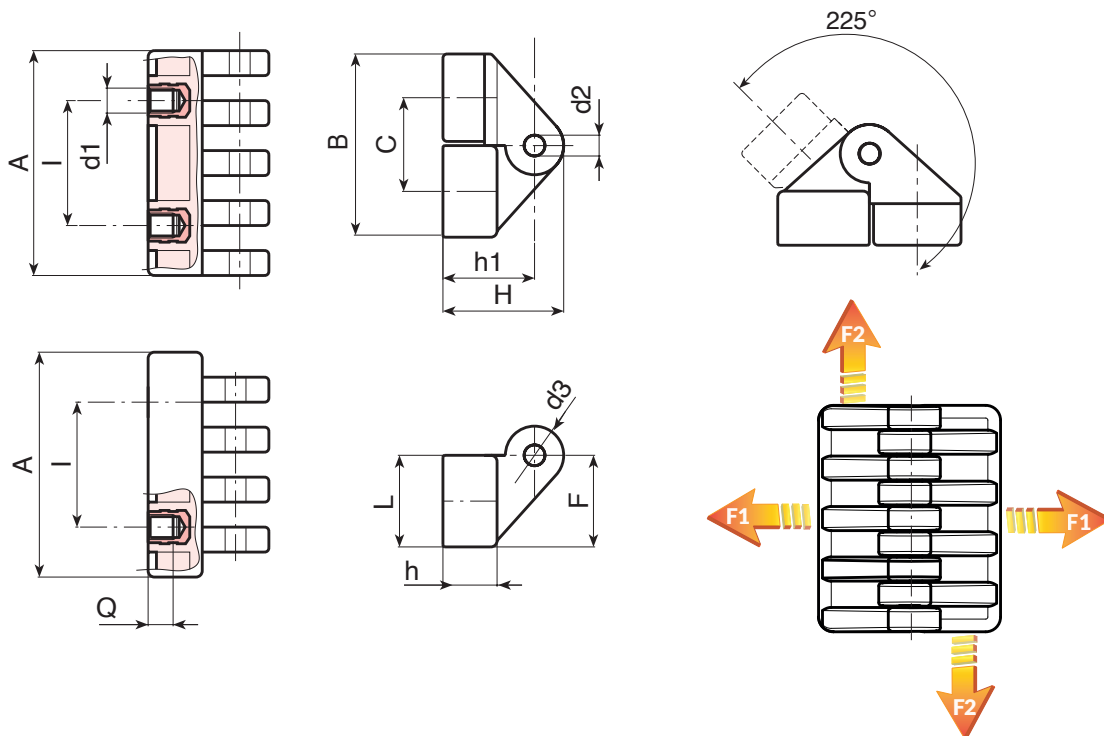
Black (RAL 9011).

Inserts:

Galvanised steel pin.
Brass insert with female threaded hole (thread tolerance 6H).
(* Galvanised steel insert with female threaded hole (thread tolerance 6H)).

Special Requests:

- None.



Code	art.	I	C	A	L	B	F	h	h1	H	d2	d3	d16H	Q	g	F1 (N)	F2 (N)
O45030.0001	O45030.TM0501	15	18	30	17	35	17,5	11	19	24,5	4	11	M5	6	26	1180	1130
O45054.0001	O45054.TM0601	30	22,5	54	21,5	44	22	13	22,5	30	5	15	M6	7	58	1520	2980
O45078.0001	O45078.TM0801	42	31	78	30	61	30,5	18,5	31,5	42,5	8	22	(*) M8	9	178	885	2875

O452



UNIVERSAL HINGE WITH THREADED INSERT TO MOUNT ANGULAR DOOR

Materials:

Reinforced polyamide.
Resistant to oils and greases.

Surface finish:

Satin.

Colour:

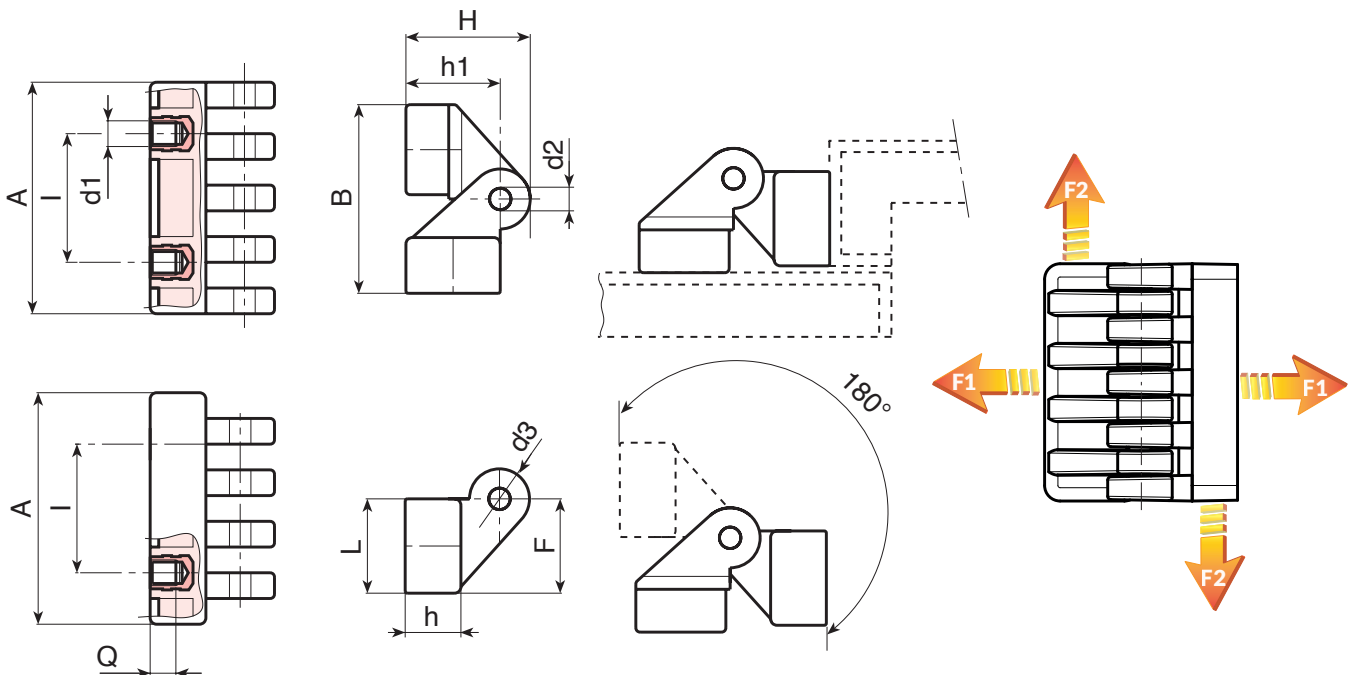
Black (RAL 9011).

Inserts:

Galvanised steel pin.
Brass insert with female threaded hole (thread tolerance 6H).
(*) Galvanised steel insert with female threaded hole (thread tolerance 6H).

Special Requests:

- None.



Code	art.	I	C	A	B	L	F	h	h1	H	d2	d3	d16H	Q	g	F1 (N)	F2 (N)
O45230.0001	O45230.TM0501	15	28	30	36,5	17	17,5	11	19	24,5	4	11	M5	6	26	1180	1130
O45254.0001	O45254.TM0601	30	33,8	54	44,5	21,5	22	13	22,5	30	5	15	M6	7	58	1520	2980
O45278.0001	O45278.TM0801	42	47	78	62	30	30,5	18,5	31,5	42,5	8	22	(*)M8	9	178	885	2875



O451

+135°
-30°

PA6
+G.F.

UL94
HB

RoHS
COMPLIANT

UNIVERSAL HINGE WITH THREADED STUD TO MOUNT STRAIGHT DOOR

Materials:

Reinforced polyamide.
Resistant to oils and greases.

Surface finish:

Satin.

Colour:

Black (RAL 9011).

Inserts:

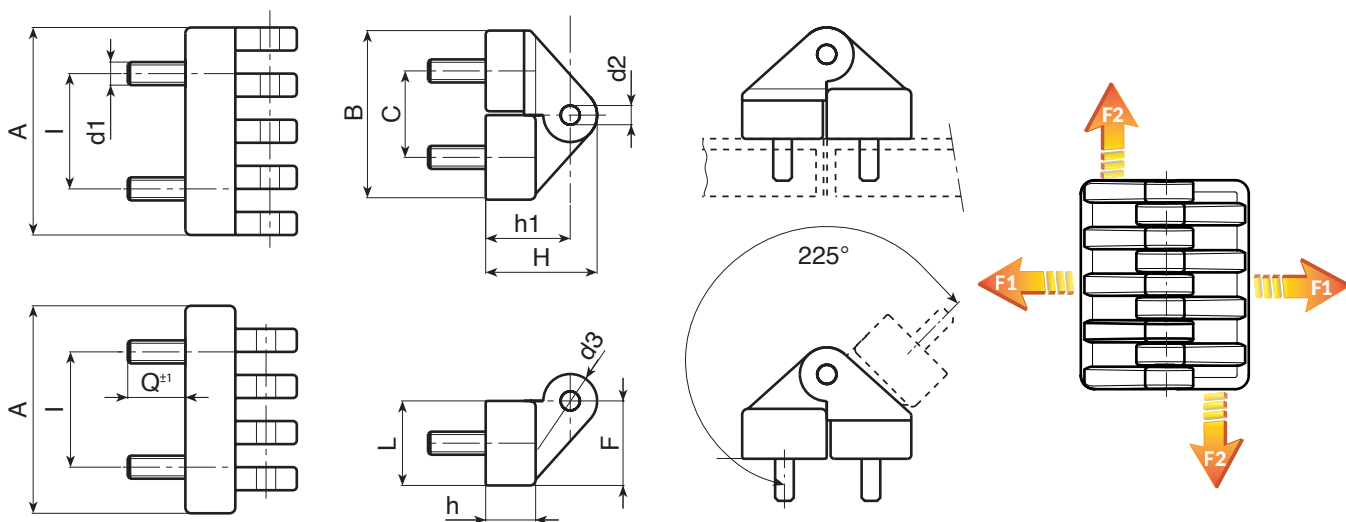
Galvanised steel pin.
Galvanised steel threaded stud (thread tolerance 6g).

Special Requests:

- None.



15



Code	art.	I	C	A	B	L	F	h	h1	H	d2	d3	d16g	Q	g	F1 (N)	F2 (N)
O45130.0001	O45130.TM05X1001	15	18	30	35	17	17,5	11	19	24,5	4	11	M5	10	38	690	1080
O45154.0001	O45154.TM06X1501	30	22,5	54	44	21,5	22	13	22,5	30	5	15	M6	15	72	295	1670
O45178.0001	O45178.TM08X2001	42	31	78	61	30	30,5	18,5	31,5	42,5	8	22	M8	20	190	1025	2830



O453



UNIVERSAL HINGE WITH THREADED STUD TO MOUNT ANGULAR DOOR

Materials:

Reinforced polyamide.
Resistant to oils and greases.

Surface finish:

Satin.

Colour:

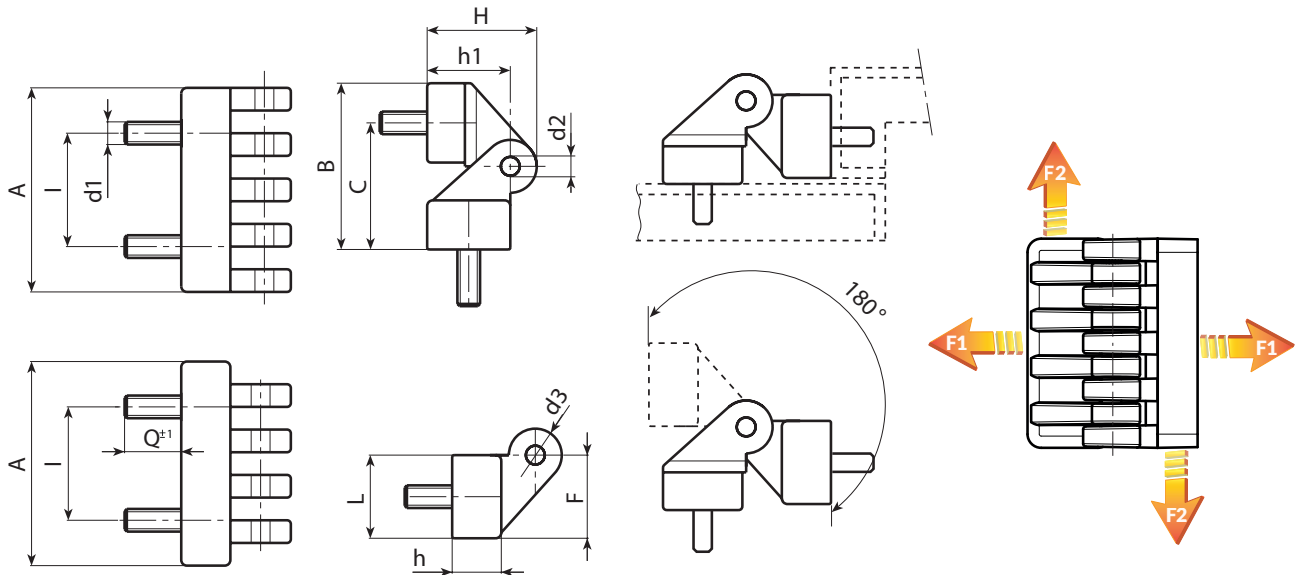
Black (RAL 9011).

Inserts:

Galvanised steel pin.
Galvanised steel threaded stud (thread tolerance 6g).

Special Requests:

- None.



Code	art.	l	C	A	B	L	F	h	h1	H	d2	d3	d1 _{6g}	Q	F1 (N)	F2 (N)	
O45330.0001	O45330.TM05X1001	15	28	30	36,5	17	17,5	11	19	24,5	4	11	M5	10	38	690	1080
O45354.0001	O45354.TM06X1501	30	33,8	54	44,5	21,5	22	13	22,5	30	5	15	M6	15	72	295	1670
O45378.0001	O45378.TM08X2001	42	47	78	62	30	30,5	18,5	31,5	42,5	8	22	M8	20	190	1025	2830

O454

+135°
-30°

PA6
+G.F.

UL94
HB

RoHS
COMPLIANT

UNIVERSAL HINGE WITH THREADED STUD AND INSERT TO MOUNT STRAIGHT DOOR

Materials:

Reinforced polyamide.
Resistant to oils and greases.

Surface finish:

Satin.

Colour:

Black (RAL 9011).

Inserts:

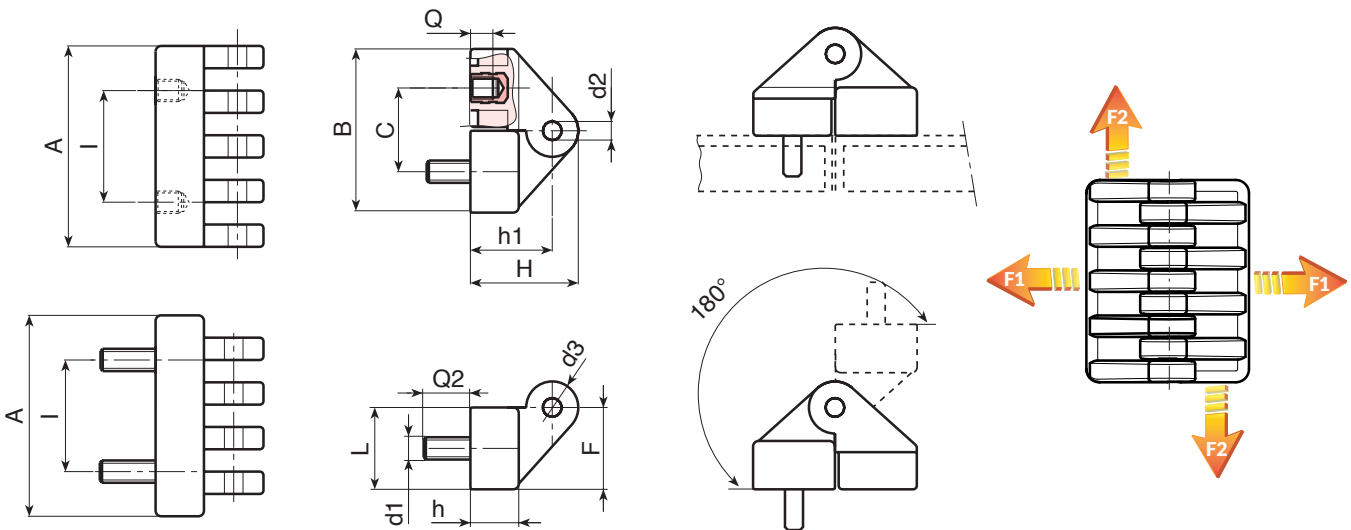
Galvanised steel pin.
Galvanised steel threaded stud (thread tolerance 6g).
Brass insert with female threaded hole (thread tolerance 6H).

Special Requests:

- None.



15



Code	art.	I	C	A	B	L	F	h	h1	H	d2	d3	d1	Q	Q2	g	F1(N)	F2(N)
O45454.0001	O45454.TM0601	30	22,5	54	44	21,5	22	13	22,5	30	5	15	M6	7	15	9	295	1670



O455



UNIVERSAL HINGE WITH THREADED STUD AND INSERT TO MOUNT ANGULAR DOOR

Materials:

Reinforced polyamide.
Resistant to oils and greases.

Surface finish:

Satin.

Colour:

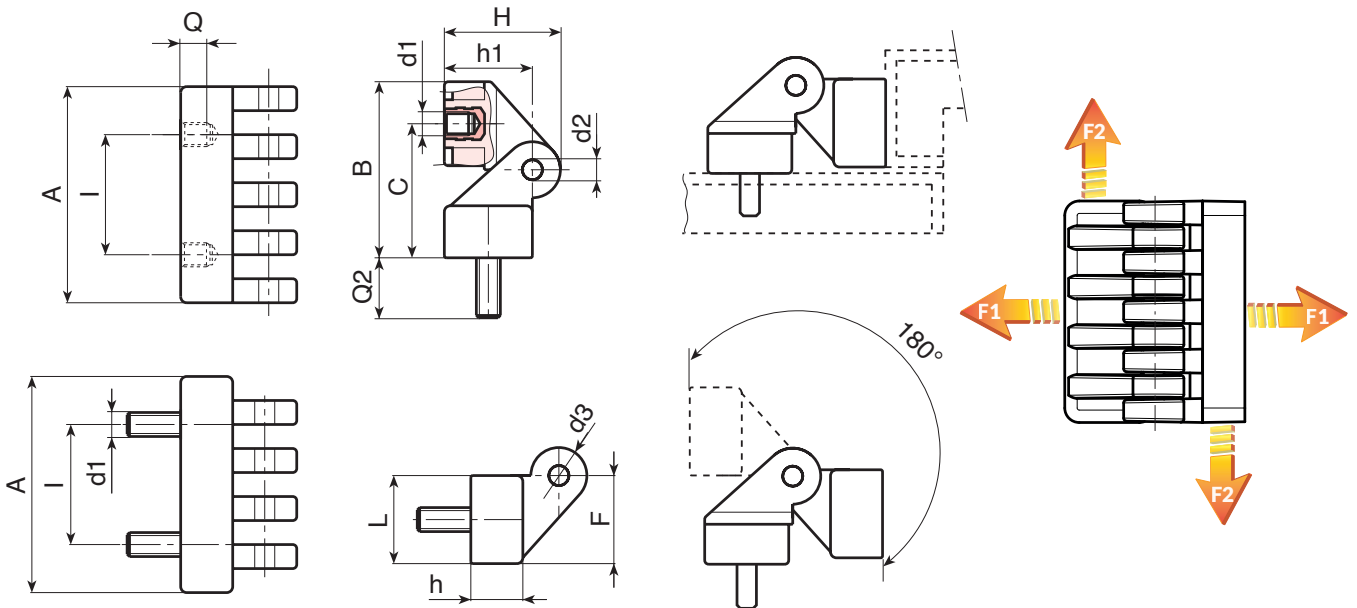
Black (RAL 9011).

Inserts:

Galvanised steel pin.
Galvanised steel threaded stud (thread tolerance 6g).
Brass insert with female threaded hole (thread tolerance 6H).

Special Requests:

- None.



Code	art.	I	C	A	B	L	F	h	h1	H	d2	d3	d1	Q	Q2	F1 (N)	F2 (N)	
O45554.0001	O45554.TM0601	30	22,5	54	44	21,5	22	13	22,5	30	5	15	M6	7	15	72	295	1670



O300



METAL HINGE WITH THROUGH HOLES

Materials:

Die-cast zamak alloy (zinc, aluminium and copper alloy).

Surface finish:

Smooth.

Colour:

O300:
Black cataphoresis coating.

O300Z:
Standard blue galvanising.

Inserts:

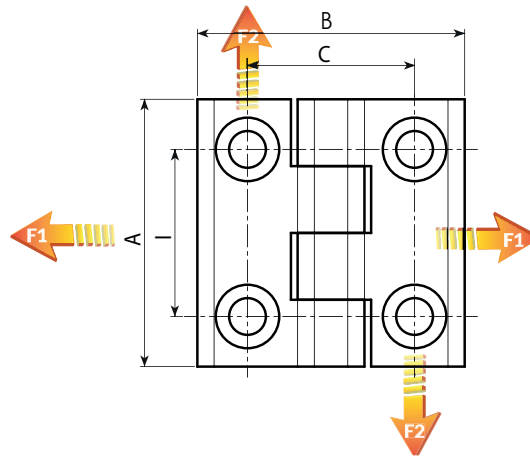
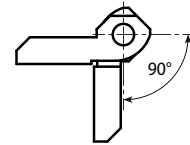
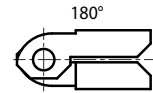
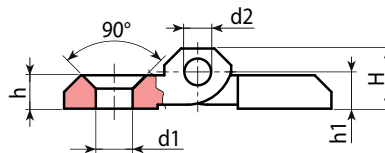
Stainless steel pivot pin (Aisi 303).

Holes:

Through holes obtained by moulding. 90° countersunk hole for UNI 5933
- UNI 6109 screws.

Special Requests:

- None.



Version O300: zamak hinge, black cataphoresis coating

Code	Art.	I	C	A	B	H	h	h1	d2	d1	g	F1 (N)	F2 (N)
O30025.0002	O30025.ZG5.501	25	25	40	40	10	5	5,5	4	5,5	45	-	-
O30030.0002	O30030.ZG6.501	30	30	50	50	11,5	6	6	6	6,5	90	6230	1420
O30036.0002	O30036.ZG6.501	36	36	60	60	15	8	9	6	6,5	115	-	-
O30036.0004	O30036.ZG8.501	36	36	60	60	15	8	9	6	8,5	110	-	-
O30040.0001	O30040.ZG6.501	40	40	64	64	11,5	6	6,5	6	6,5	115	4340	4200

Version O300Z: galvanised zamak hinge

Code	Art.	I	C	A	B	H	h	h1	d2	d1	g	F1 (N)	F2 (N)
O30025.0004	O30025.ZG5.5Z	25	25	40	40	10	5	5,5	4	5,5	45	-	-
O30030.0004	O30030.ZG6.5Z	30	30	50	50	11,5	6	6	6	6,5	90	6230	1420
O30036.0003	O30036.ZG6.5Z	36	36	60	60	15	8	9	6	6,5	120	-	-
O30036.0006	O30036.ZG8.5Z	36	36	60	60	15	8	9	6	8,5	112	-	-
O30040.0002	O30040.ZG6.5Z	40	40	64	64	11,5	6	6,5	6	6,5	115	4340	4200

15

O300CIN

STAINLESS STEEL HINGE WITH THROUGH HOLES

+200°
-30°

Aisi
316

RoHS
COMPLIANT

INOX

Materials:

Stainless steel (Aisi 316).

Surface finish:

Natural brushing.

Colour:

Natural.

Inserts:

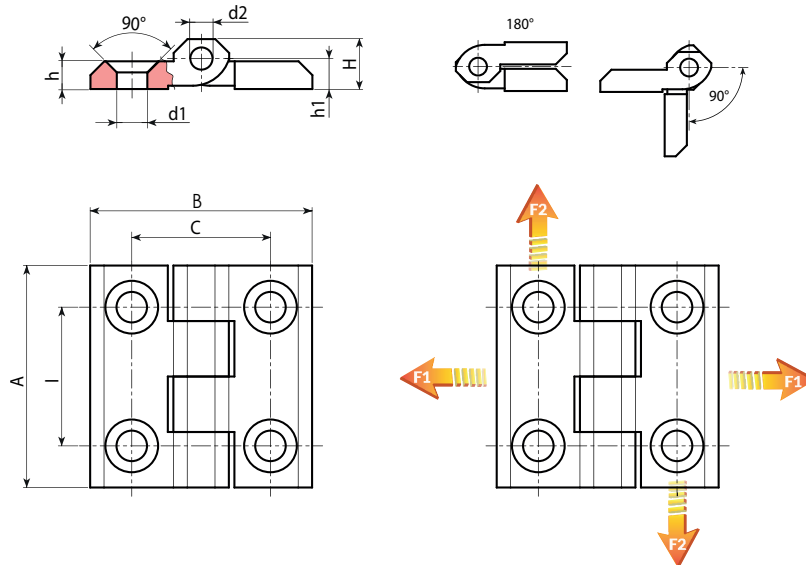
Stainless steel pivot pin (Aisi 303).

Holes:


Through holes obtained by moulding. 90° countersunk hole for UNI 5933
- UNI 6109 screws.

Special Requests:

- None.



15

Code	Art.	I	C	A	B	H	h	h1	d2	d1		F1 (N)	F2 (N)
O30025.0001	O30025.HG5.5CIN	25	25	40	40	9	5	5,5	4	5,5	60	-	-
O30030.0001	O30030.HG6.5CIN	30	30	50	50	11,5	5,5	6,5	6	6,5	100	19600	9800
O30036.0001	O30036.HG8.5CIN	36	36	60	60	15	8	8,5	8	8,5	190	-	-

O305

FLAT ZAMAK HINGE WITH THROUGH HOLES



Materials:

Die-cast zamak alloy (zinc, aluminium and copper alloy).

Surface finish:

Satin.

Colour:

Natural.

Inserts:

Galvanised steel pivot pin (C45).

Holes:

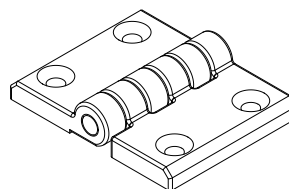
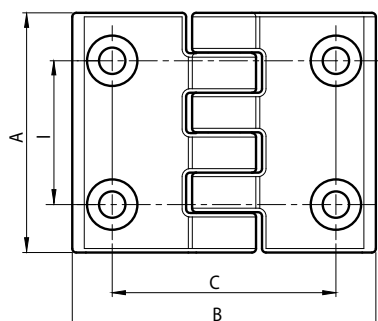
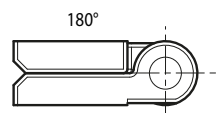
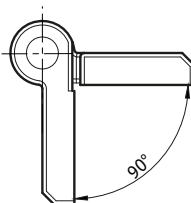
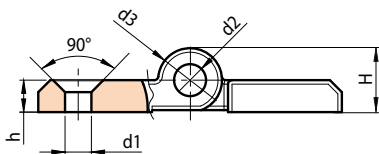
Through holes obtained by moulding. 90° countersunk hole for UNI 5933 - UNI 6109 screws.

Special Requests:

- None.



15



Code	Art.	l	C	A	B	H	h	d2	d3	d1	
O30536.0001	O30536.ZG06.5PAL	36	56	60	76	16	8	8	16	6,5	250

O520



VERTICAL ZAMAK HINGE WITH SINGLE THREADED MOUNT

Materials:

(1-2) Die-cast zamak alloy (zinc, aluminium and copper alloy).

Surface finish:

Colour:

(01) Black epoxy powder coated (RAL 9011).
(Z) Standard blue galvanising.

Inserts:

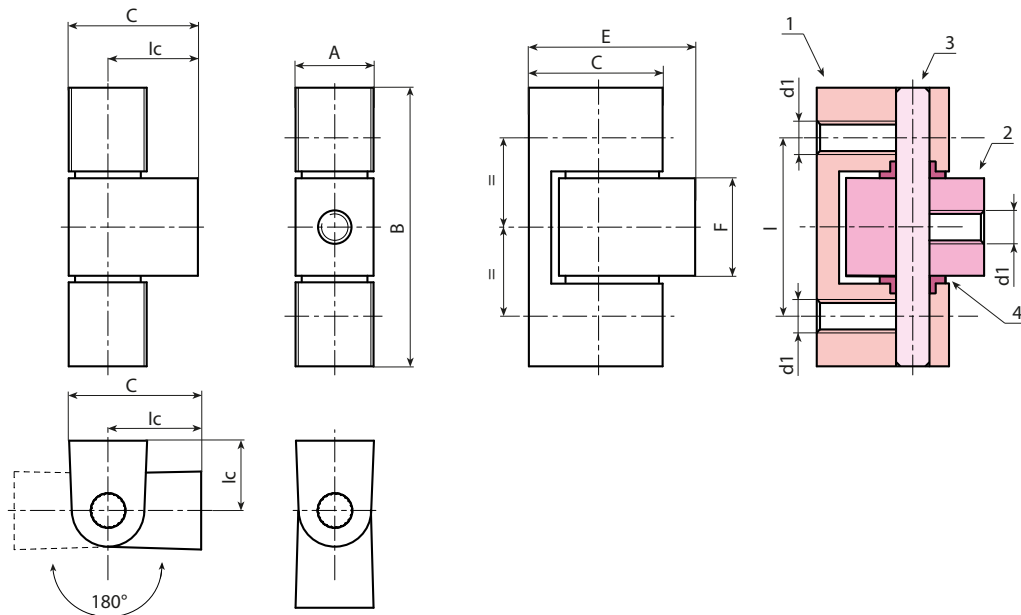
(3) Stainless steel hinge pivot pin (Aisi 304).
(4) Natural PA6 spacer bush.

Holes:

Female threaded holes M06 obtained by moulding.

Special Requests:

- None.



Black coated version code 01 ending

Code	Art.	I	lc	A	B	C	E	F	d1	
O520032.0001	O520032.ZM0601	32	12	14	50	19	24	17.5	M6	78

Galvanised version code Z ending

Code	Art.	I	lc	A	B	C	E	F	d1	
O520032.0002	O520032.ZM06Z	32	12	14	50	19	24	17.5	M6	78

O530

BASIC VERTICAL LIFT-OFF HINGE



Materials:

(1-2) Die-cast zamak alloy (zinc, aluminium and copper alloy).

Surface finish:

Colour:

(O1) Black epoxy powder coated (RAL 9011).
(Z) Standard blue galvanising.

Inserts:

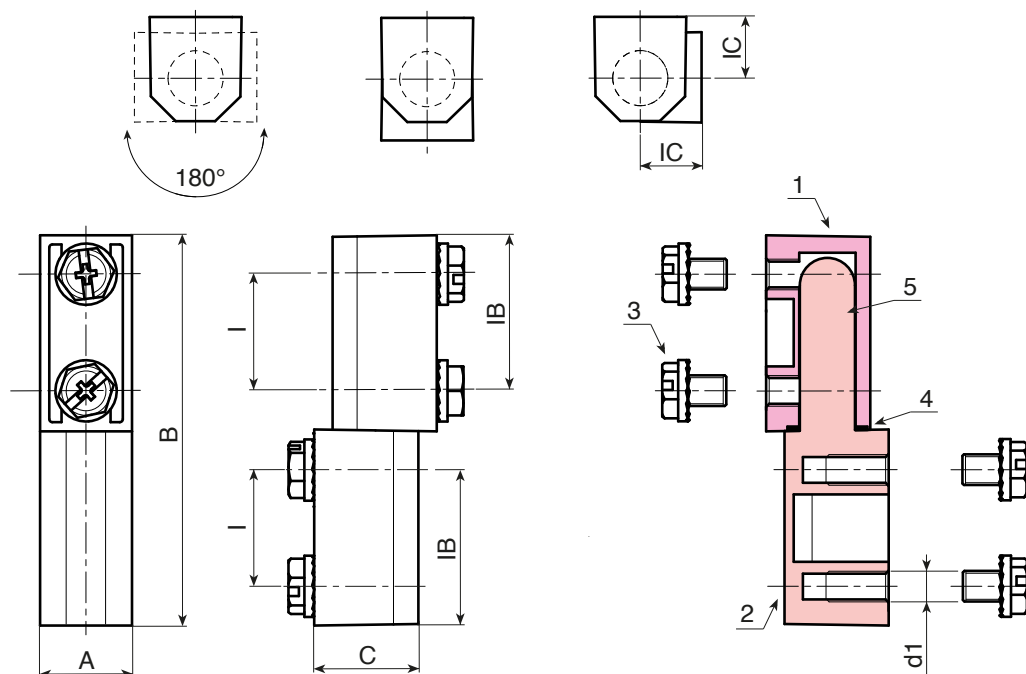
(3) 4 galvanised steel screws M05x06 with toothed lock washer.
(4) Black oxide treated spacer washer.
(5) Die-cast zamak pivot pin.

Special Requests:

- Upon request and for special quantities (minimum 100 pieces) the hinge can be supplied with a stainless steel pivot pin (Aisi 304) (code O530019.ZM0501CIN).



15



Black coated version code O1 ending

Code	Art.	I	IB	IC	A	B	C	d1	
O530019.0001	O530019.ZM0501	19	25,5	10	15	64,5	17	M5	86

Galvanised version code Z ending

Code	Art.	I	IB	IC	A	B	C	d1	
O530019.0005	O530019.ZM05Z	19	25,5	10	15	64,5	17	M5	86

O510



VERTICAL ZAMAK HINGE WITH EXTENSION

Materials:

(1-2) Die-cast zamak alloy (zinc, aluminium and copper alloy).

Surface finish:

Light sandblasting.

Colour:

(O1) Black epoxy powder coated (RAL 9011).

(Z) Standard blue galvanising.

Inserts:

(3) Stainless steel hinge pivot pin (Aisi 304).

(4) Natural PA6 spacer bush.

EXTENSION:

The hinge can be supplied with the extension (5) included. In your order add the letter P to the end of the code.

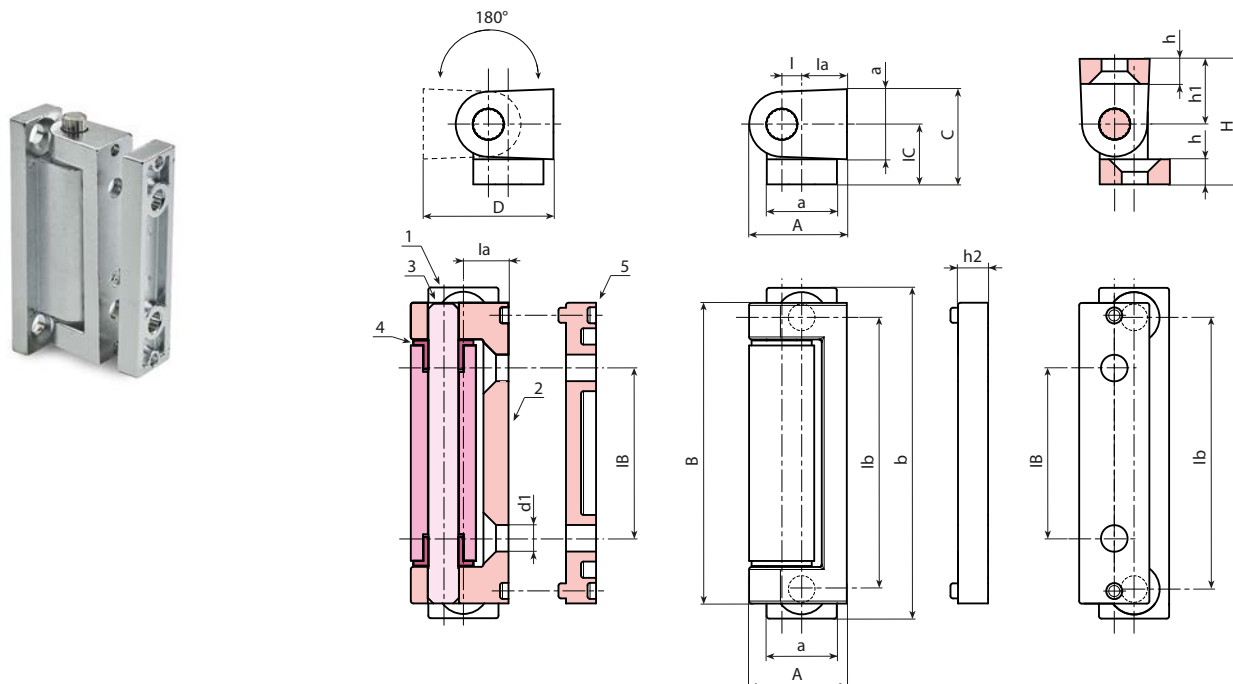
Holes:

Through holes obtained by moulding. 90° countersunk hole for UNI 5933 - UNI 6109 screws.

Special Requests:

- It is possible to order, separately, an additional thickness of 6 mm in black using code no. O51160.ZG05.0501; or a galvanised one using code no. O51160.ZG05.05Z.

ATTENTION: The hinge is delivered with the pivot pin unassembled, as it must be removed in any case before mounting on the door.



Black coated version code O1 ending

Code	Art.	lb	IB	A	a	B	b	C	D	I	h	h1	IC	la	d1	g
O510054.0001	O510054.ZG05.501	54	34	19,5	14	60	66	19	24	4	5	13	12,5	9	5,3	100

Black coated version code O1 ending + extension

Code	Art.	lb	IB	A	a	B	b	C	D	H	I	h	h1	IC	la	h2	d1	g
O510054.0002	O510054.ZG05.501P	54	34	19,5	14	60	66	19	24	25	4	5	13	12,5	9	6	5,3	111

Galvanised version code Z ending

Code	Art.	lb	IB	A	a	B	b	C	D	I	h	h1	IC	la	d1	g
O510054.0003	O510054.ZG05.5Z	54	34	19,5	14	60	66	19	24	4	5	13	12,5	9	5,3	100

Galvanised version code Z ending + extension

Code	Art.	lb	IB	A	a	B	b	C	D	H	I	h	h1	IC	la	h2	d1	g
O510054.0004	O510054.ZG05.5ZP	54	34	19,5	14	60	66	19	24	25	4	5	13	12,5	9	6	5,3	111



O500



REMOVABLE FLAT ZAMAK HINGE WITH THREADED STUD

Materials:

(1) Die-cast zamak alloy (zinc, aluminium and copper alloy).

Surface finish:

Colour:

(01) Black epoxy powder coated (RAL 9011).
(Z) Standard blue galvanising.

Inserts:

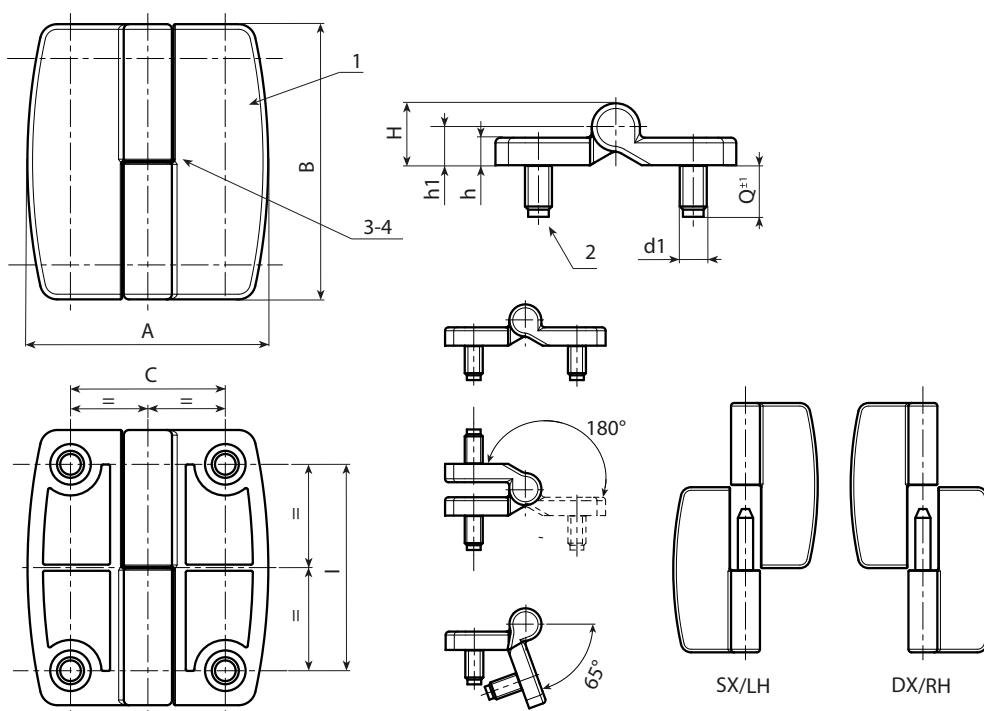
(2) Galvanised steel threaded stud (thread tolerance 6g).
(3) Stainless steel hinge pivot pin (Aisi 304).
(4) Stainless steel separating washer (Aisi 304) inserted between the two knuckles.

Assembly:

The hinge can be supplied for mounting doors that swing open to the right (DX/RH - enter the letter D at the end of the code); or for doors that swing open to the left (SX/LH - enter the letter S at the end of the code).

Special Requests:

- None.



Black coated version code 01, final letter S at the end for Left version - final letter D for door opening to the right.

Code	Art.	C	I	A	B	h	H	h1	d1 _{6g}	Q	
O500045.0001	O500045.ZM08X1401D	45	60	70	80	8	18	11	M8	15	281
O500045.0002	O500045.ZM08X1401S	45	60	70	80	8	18	11	M8	15	281

Galvanised version code Z, final letter S at the end for Left version - final letter D for door opening to the right.

Code	Art.	C	I	A	B	h	H	h1	d1 _{6g}	Q	
O500045.0003	O500045.ZM08X14ZD	45	60	70	80	8	18	11	M8	15	281
O500045.0004	O500045.ZM08X14ZS	45	60	70	80	8	18	11	M8	15	281



O505

ASYMMETRICAL FLAT ZAMAK HINGE WITH THREADED STUD



Materials:

(1) Die-cast zamak alloy (zinc, aluminium and copper alloy).

Surface finish:

Colour:

(01) Black epoxy powder coated (RAL 9011).

(Z) Standard blue galvanising.

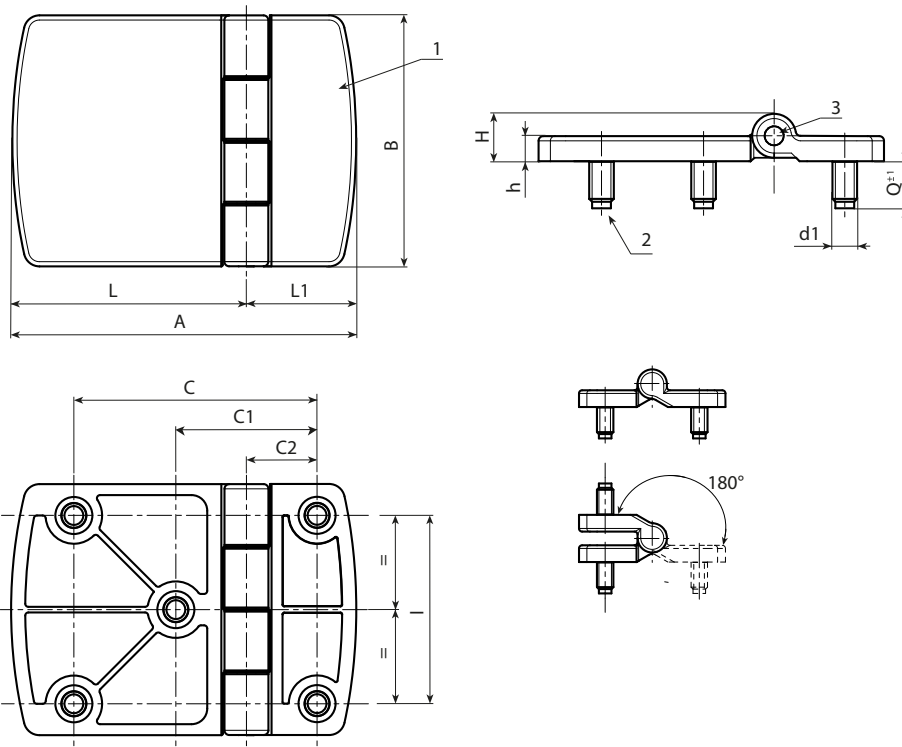
Inserts:

(2) Galvanised steel threaded stud (thread tolerance 6g).

(3) Stainless steel hinge pivot pin (Aisi 304).

Special Requests:

- None.



Black coated version code 01 ending.

Code	Art.	C2	C1	C	I	A	B	L1	L	h	H	d1 _{6g}	Q	
O505077.0001	O505077.ZM08X1401	22,5	45	77,5	60	110	80	35	75	8	15	M8	15	387

Galvanised version code Z ending.

Code	Art.	C2	C1	C	I	A	B	L1	L	h	H	d1 _{6g}	Q	
O505077.0002	O505077.ZM08X14Z	22,5	45	77,5	60	110	80	35	75	8	15	M8	15	387



O515



BASIC PUNCHED STEEL HINGE WITH THROUGH HOLES

Materials:

(1) Steel punched and bent.

Surface finish:

Colour:

(O1) Black epoxy powder coated (RAL 9011).

(Z) Standard blue galvanising.

Inserts:

(3) Stainless steel hinge pivot pin (Aisi 304).

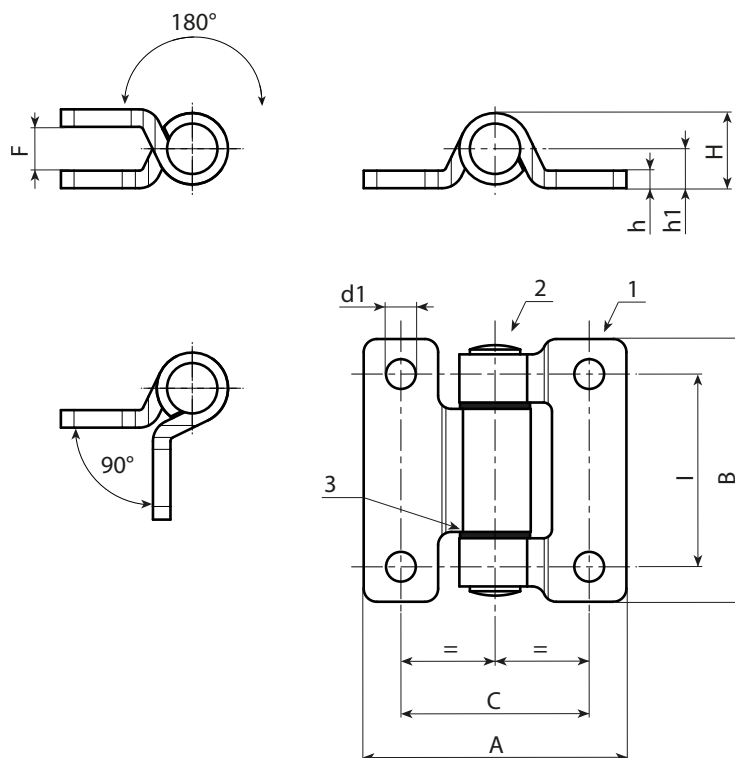
(4) Natural PA6 separating washer inserted between the two knuckles.

Holes:

Through holes obtained by punching.

Special Requests:

- None.



Black coated version code O1 ending.

Code	Art.	C	I	A	B	F	h	H	h1	d1	
O515040.0001	O515040.VG06.501	40	40	60	60	10	4	17	9	6,8	143

Galvanised version code Z ending.

Code	Art.	C	I	A	B	F	h	H	h1	d1	
O515040.0002	O515040.VG06.5Z	40	40	60	60	10	4	17	9	6,8	143