

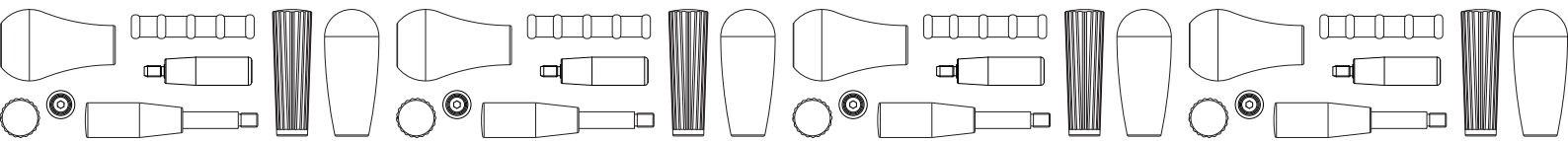


GROUP - 13

HANDLES

BOTECA Handles

Historic group in our catalogue that embraces all the revolving handles or simply “handles”. The range includes basic handles with threaded hole and stud, revolving handles, revolving folding handles in plastic and metal for all applications. For detailed information on the specifications of each individual product please consult the technical sheet.



W136CIN

FULL STAINLESS STEEL FOLDING HANDLE



INOX

Materials:

Stainless steel (Aisi 303).

Surface finish:

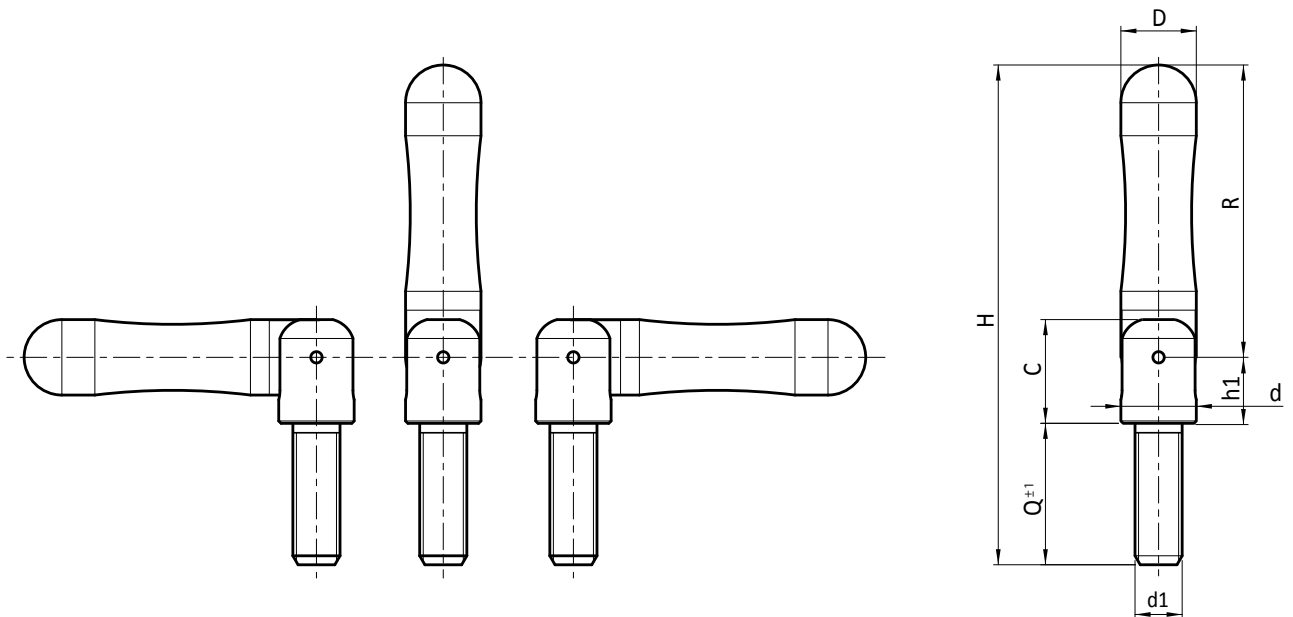
Sandblasted satin finish.

Colour:

Natural.

Thread:

Threaded stud obtained by turning (thread tolerance 6g).



INOX

Code	art.	D	R	H	C	h1	d	d1 _{6g}	Q	
W136062.0001	W136062.IM10X30CIN	16	62	106	22	14	16	M10	35	118

M151



REVOLVING HANDLE WITH FIXED SCREW AND HEXAGON SOCKET HEAD

Materials:

Reinforced polyamide.
Resistant to oils and greases.

Surface finish:

Satin.

Colour:

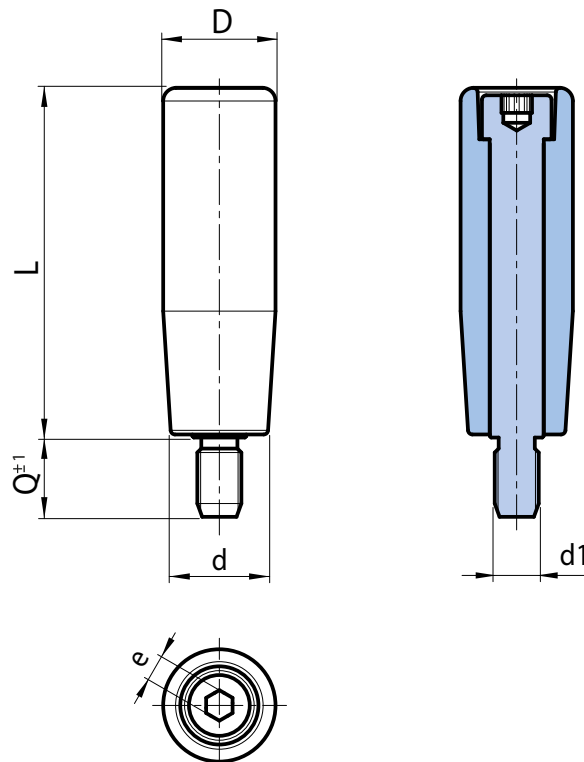
Black (RAL 9011).

Inserts:

Special turned nickel-plated steel screw, with partially threaded stud. Hexagon socket head (thread tolerance 6g).

Special Requests:

- Upon request and for special quantities inserts can be supplied in different materials.
- Upon request and for special quantities available in the colours indicated in the chart [page 959].



Code	art.	L	D	d	e	d1 _{6g}	Q	
M15150.0001	M15150.TM08X1501H	50	19	17	5	M8	15	49
M15170.0001	M15170.TM08X1701H	69	23,5	20	6	M8	17	79
M15170.0002	M15170.TM10X1701H	69	23,5	20	6	M10	17	98
M15180.0001	M15180.TM10X1801H	80	25,5	22	6	M10	18	119
M15190.0001	M15190.TM10X1801H	90	27,5	24	8	M10	18	144



M138

HANDLE WITH THREADED HOLE



Materials:

Reinforced polyamide.
Resistant to oils and greases.

Surface finish:

Satin.

Colour:

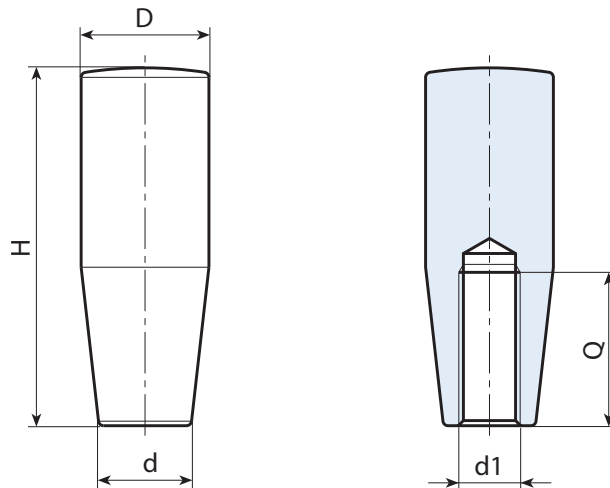
Black (RAL 9011).

Hole:

Female threaded hole obtained by moulding the plastic (thread tolerance not applicable).

Special Requests:

- Upon request and for special quantities available in the colours indicated in the chart [page 959].



Code	art.	H	D	d	d1	Q	⚠
M13827.0001	M13827.TM0401	27	14	11,5	M4	15	6
M13827.0002	M13827.TM0501	27	14	11,5	M5	15	5
M13827.0003	M13827.TM0601	27	14	11,5	M6	15	5
M13840.0001	M13840.TM0501	40	18,5	15,5	M5	25	10
M13840.0003	M13840.TM0601	40	18,5	15,5	M6	25	10
M13840.0009	M13840.TM0801	40	18,5	15,5	M8	25	10
M13850.0001	M13850.TM0601	50,5	20	15	M6	25	16
M13850.0003	M13850.TM0801	50,5	20	15	M8	25	14
M13850.0006	M13850.TM1001	50,5	20	15	M10	25	14
M13860.0002	M13860.TM0801	60,5	23,5	18	M8	28	24
M13860.0004	M13860.TM1001	60,5	23,5	18	M10	28	24
M13860.0005	M13860.TM1201	60,5	23,5	18	M12	28	22
M13870.0001	M13870.TM0801	70	25	19	M8	30	34
M13870.0002	M13870.TM1001	70	25	19	M10	30	32
M13870.0003	M13870.TM1201	70	25	19	M12	30	28
M13880.0002	M13880.TM0801	79	26	21,5	M8	30	40
M13880.0006	M13880.TM1001	79	26	21,5	M10	30	38
M13880.0008	M13880.TM1201	79	26	21,5	M12	30	36
M13880.0009	M13880.TM1401	79	26	21,5	M14	30	34
M13890.0001	M13890.TM0801	89,5	28	23,5	M8	50	58
M13890.0002	M13890.TM1001	89,5	28	23,5	M10	50	54
M13890.0003	M13890.TM1201	89,5	28	23,5	M12	50	50
M13890.0005	M13890.TM1401	89,5	28	23,5	M14	50	46
M138110.0003	M138110.TM1001	109	32,5	27	M10	50	105
M138110.0004	M138110.TM1201	109	32,5	27	M12	50	104
M138110.0005	M138110.TM1401	109	32,5	27	M14	50	100

M138BF

NEW



HANDLE WITH THREADED HOLE MADE FROM ANTIBACTERIAL MATERIAL

Materials:

Special technopolymer reinforced with high-strength glass fibre, with inorganic silver ion additives which make the material antibacterial (ISO 22196:2011). Resistant to oils and greases.

Surface finish:

Satin.

Colour:

Black (RAL 9011).

Hole:

Female threaded hole obtained by moulding the plastic (thread tolerance not applicable).

Special Requests:

- None.

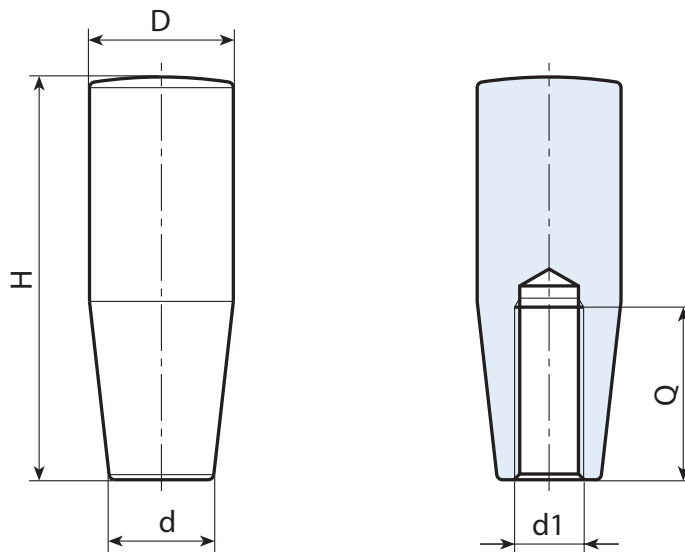
Notes:

The addition of a special antibacterial additive, based on inorganic silver ions, make these products naturally resistant to microbes, bacteria and fungi by preventing their formation and diffusion. The ions are released slowly, ensuring resistance over a long period even if subjected to frequent washing and sanitising. These ions remain intact at well over 200°C, and therefore suitable for resisting sterilization which normally occurs around 130°C. The material has been certified by credited laboratories and a declaration of conformity will be issued for every item delivered.

The proposed formulation complies with ISO 22196:2011 standard and in particular relates to the following strains:

- Escherichia Coli ATCC 25922
- Candida Albicans ATCC 10231
- Pseudomonas aeruginosa ATCC 13388
- Pseudomonas aeruginosa ATCC 15442
- Klebsiella pneumoniae ATCC 4352
- Staphylococcus aureus ATCC 6538

For all the tests the comparative reduction percentage ranges between 99.5% and 99.9%.



13

Code	art.	H	D	d	d1	Q	g
M13880.0003	M13880.TM0801BF	79	26	21,5	M8	30	40
M13880.0007	M13880.TM1001BF	79	26	21,5	M10	30	38



M238



“EUROMODEL” HANDLE WITH THREADED HOLE

Materials:

Reinforced polyamide.
Resistant to oils and greases.

Surface finish:

Satin.

Colour:

Black (RAL 9011).

Central Cap:

Grey polyamide (RAL 7035). 13).

Alternative Cap colours:

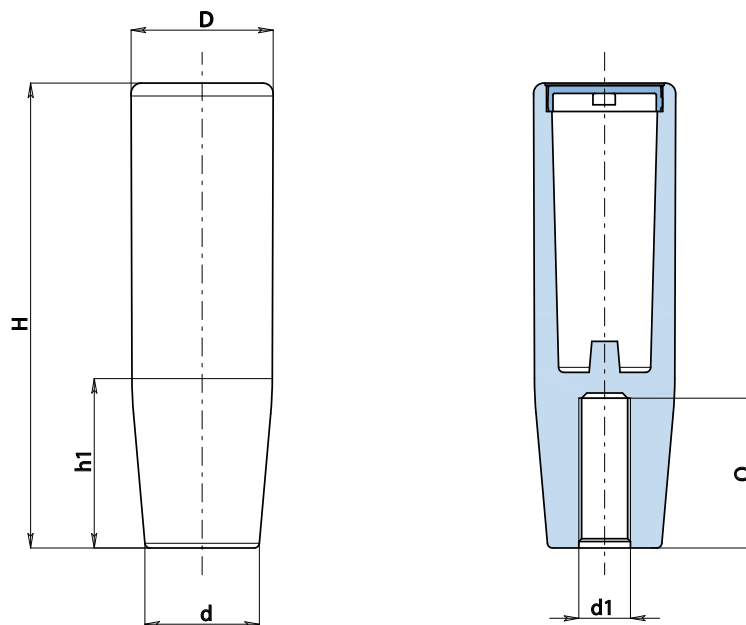
Orange (RAL 2004 code 02).
Blue (RAL 5015 code 07).
Yellow (RAL 1021 code 10).
Red (RAL 3000 code 16).
Green (RAL 6024 code 17).
Black (RAL 9011 code 01).

Hole:

Female threaded hole obtained by moulding the plastic (thread tolerance not applicable).

Special Requests:

- Upon request and for special quantities available in the colours indicated in the chart (attention: reduced range) [page 959].



Code	art.	H	D	d	h1	d1	Q	
M23890.0003	M23890.TM080113	90	27,5	22,5	35	M8	29	41
M23890.0008	M23890.TM100113	90	27,5	22,5	35	M10	29	39
M23890.0010	M23890.TM120113	90	27,5	22,5	35	M12	29	37

M139

HANDLE WITH SMOOTH BORE



Materials:

Reinforced polyamide.
Resistant to oils and greases.

Surface finish:

Satin.

Colour:

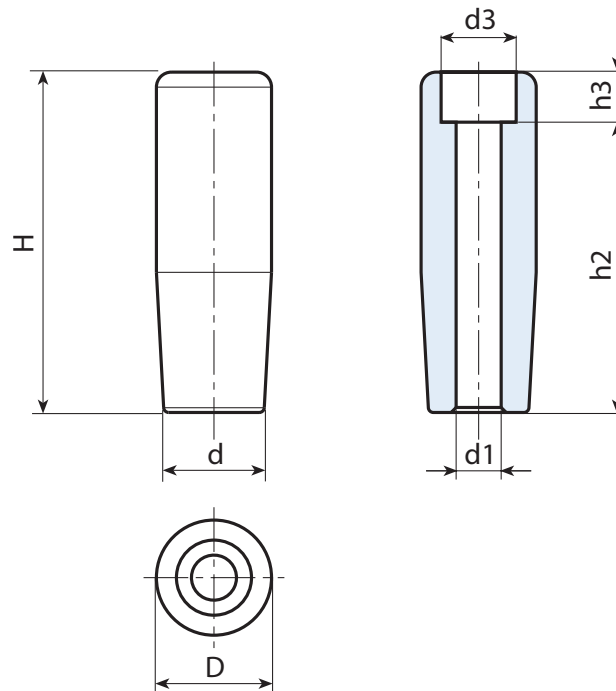
Black (RAL 9011).

Hole:

Smooth through bore obtained by moulding the plastic (tolerance not applicable).

Special Requests:

- Upon request and for special quantities available in the colours indicated in the chart [page 959].



Code	art.	H	D	d	h2	h3	d1	d3	g
M13950.0001	M13950.TG06.501	49	19	17	41,5	7,5	6,5	11,5	13
M13950.0006	M13950.TG08.501	49	19	17	41,5	7,5	8,5	11,5	10
M13960.0001	M13960.TG06.501	59	21	19	51	8	6,5	12	23
M13960.0002	M13960.TG08.501	59	21	19	49	10	8,5	14	20
M13970.0001	M13970.TG08.501	68,5	23,5	20	58	10,5	8,5	14	28
M13970.0002	M13970.TG10.501	68,5	23,5	20	56	12,5	10,5	17	25
M13980.0001	M13980.TG10.501	79	25,5	22	67	12,5	10,5	17	38
M13990.0001	M13990.TG08.501	89,5	27,5	24	80	9,5	8,5	14	46
M13990.0005	M13990.TG12.501	89,5	27,5	24	75,5	14	12,5	19	42

M141

CYLINDRICAL HANDLE WITH SMOOTH BORE



Materials:

Reinforced polyamide.
Resistant to oils and greases.

Surface finish:

Satin.

Colour:

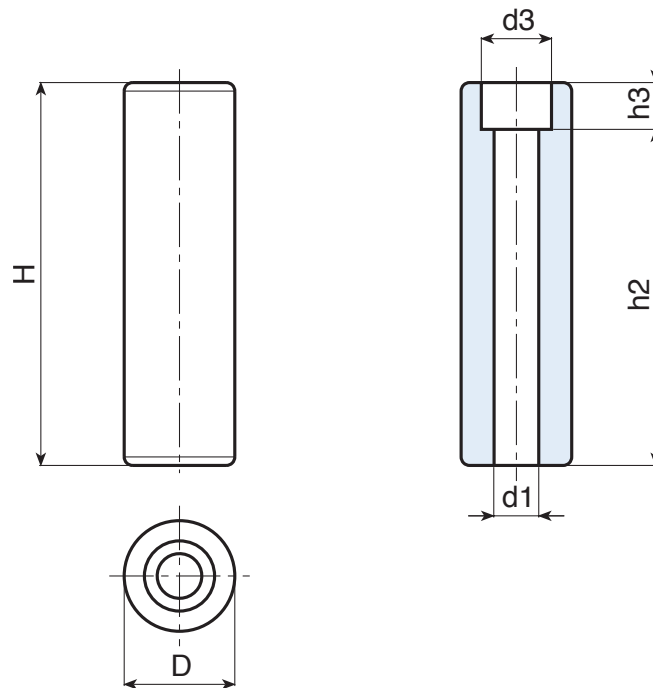
Black (RAL 9011).

Hole:

Smooth through bore obtained by moulding the plastic (tolerance not applicable).

Special Requests:

- Upon request and for special quantities available in the colours indicated in the chart [page 959].



Code	art.	H	D	h2	h3	d1	d3	
M14182.0001	M14182.TG10.501	81	26,5	70	11	10,5	16,5	44
M14190.0001	M14190.TG10.501	89,5	26,5	78,5	11	10,5	16,5	51

M140

HANDLE WITH THREADED STUD



Materials:

Reinforced polyamide.
Resistant to oils and greases.

Surface finish:

Satin.

Colour:

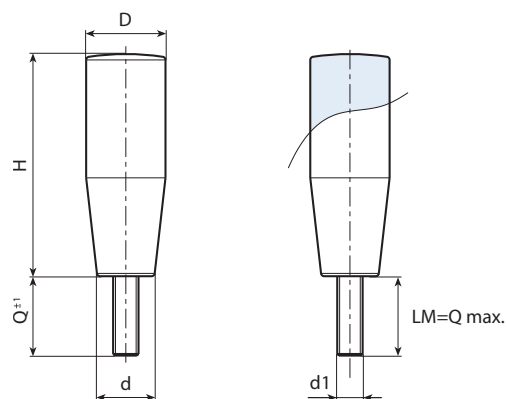
Black (RAL 9011).

Inserts:

Galvanised steel threaded stud (thread tolerance 6g).

Special Requests:

- Upon request and for special quantities inserts can be supplied with customised lengths.
- Upon request and for special quantities inserts can be supplied in different materials.
- Upon request and for special quantities available in the colours indicated in the chart [page 959].



13

Code	art.	H	D	d	LM	d1 _{6g}	Q	
M14027.0001	M14027.TM04X2001	27	14	11,5	30	M4	20	10
M14027.0002	M14027.TM05X2001	27	14	11,5	30	M5	20	15
M14027.0004	M14027.TM06X2001	27	14	11,5	30	M6	20	20
M14040.0003	M14040.TM05X2001	40	18,5	15,5	30	M5	20	20
M14040.0004	M14040.TM06X1001	40	18,5	15,5	30	M6	10	18
M14040.0006	M14040.TM06X1601	40	18,5	15,5	30	M6	16	19
M14040.0008	M14040.TM06X2501	40	18,5	15,5	30	M6	25	21
M14050.0001	M14050.TM06X1001	50,5	20	15	35	M6	10	24
M14050.0003	M14050.TM06X2001	50,5	20	15	35	M6	20	27
M14050.0007	M14050.TM08X1001	50,5	20	15	35	M8	10	34
M14050.0008	M14050.TM08X1501	50,5	20	15	35	M8	15	32
M14050.0011	M14050.TM08X2001	50,5	20	15	35	M8	20	30
M14060.0003	M14060.TM06X2001	60,5	23,5	18	35	M6	20	40
M14060.0005	M14060.TM08X1001	60,5	23,5	18	35	M8	10	34
M14060.0008	M14060.TM08X2001	60,5	23,5	18	35	M8	20	42
M14060.0009	M14060.TM08X3001	60,5	23,5	18	35	M8	30	50
M14060.0010	M14060.TM10X1501	60,5	23,5	18	35	M10	15	40
M14070.0001	M14070.TM08X1001	70	25	18,5	35	M8	10	51
M14070.0004	M14070.TM08X2001	70	25	18,5	35	M8	20	54
M14070.0006	M14070.TM08X3001	70	25	18,5	35	M8	30	57
M14080.0002	M14080.TM08X1001	79	26	21,5	35	M8	10	74
M14080.0005	M14080.TM08X2001	79	26	21,5	35	M8	20	77
M14080.0006	M14080.TM08X2501	79	26	21,5	35	M8	25	78,5
M14080.0008	M14080.TM10X1001	79	26	21,5	35	M10	10	84
M14080.0011	M14080.TM10X2001	79	26	21,5	35	M10	20	86
M14080.0012	M14080.TM10X3001	79	26	21,5	35	M10	30	88
M14090.0002	M14090.TM08X1001	89,5	28	23,5	35	M8	10	74
M14090.0005	M14090.TM08X2001	89,5	28	23,5	35	M8	20	77
M14090.0007	M14090.TM10X1001	89,5	28	23,5	35	M10	10	95
M14090.0011	M14090.TM10X2001	89,5	28	23,5	35	M10	20	100
M14090.0013	M14090.TM10X3001	89,5	28	23,5	35	M10	30	105
M14090.0017	M14090.TM12X2001	89,5	28	23,5	40	M12	20	104
M14090.0020	M14090.TM12X3001	89,5	28	23,5	40	M12	30	112
M140110.0006	M140110.TM12X2001	109	32,5	27	80	M12	20	162

Customised stud length available for a minimum of 100 pieces.
LM = Maximum mouldable length.



M240



“EUROMODEL” HANDLE WITH THREADED STUD

Materials:

Reinforced polyamide.
Resistant to oils and greases.

Surface finish:

Satin.

Colour:

Black (RAL 9011).

Central Cap:

Grey polyamide (RAL 7035). 13).

Alternative Cap colours:

Orange (RAL 2004 code 02).
Blue (RAL 5015 code 07).
Yellow (RAL 1021 code 10).
Red (RAL 3000 code 16).
Green (RAL 6024 code 17).
Black (RAL 9011 code 01).

Inserts:

Galvanised steel threaded stud (thread tolerance 6g).

Special Requests:

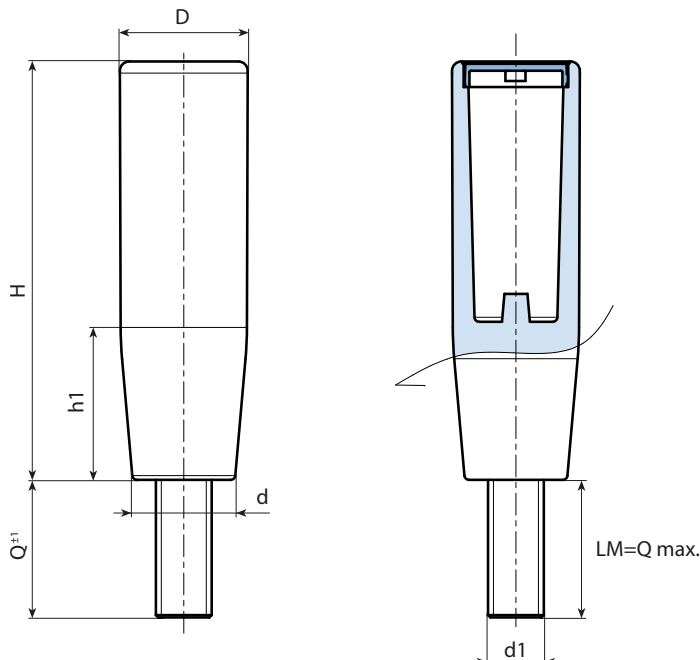
- Upon request and for special quantities inserts can be supplied with customised lengths.
- Upon request and for special quantities inserts can be supplied in different materials.
- Upon request and for special quantities available in the colours indicated in the chart (attention: reduced range) [page 959].

Studs lengths already setup on the mould:

For all threads:
10-15-20-25-30-35-40-45-50-55-60-65-70-75-80



13



Code	art.	H	D	d	h1	LM	d1 _{6g}	Q	g
M24090.0003	M24090.TM08X100113	90	27,5	22,5	35	80	M8	10	65
M24090.0007	M24090.TM08X150113	90	27,5	22,5	35	80	M8	15	66,5
M24090.0011	M24090.TM10X100113	90	27,5	22,5	35	80	M10	10	70
M24090.0015	M24090.TM10X200113	90	27,5	22,5	35	80	M10	20	75
M24090.0019	M24090.TM12X200113	90	27,5	22,5	35	80	M12	20	83

Customised stud length available for a minimum of 100 pieces.
LM = Maximum mouldable length.



M144

REVOLVING HANDLE WITH SCREW AND NUT



Materials:

Reinforced polyamide.
Resistant to oils and greases.

Surface finish:

Satin.

Colour:

Black (RAL 9011).

Inserts:

M144:

(1) Threaded hexagonal socket head cap screw (TCCE) in black-oxide treated steel DIN 912.

(2) Black-oxide treated steel nut DIN 934.

M144CIN:

(1) Threaded hexagonal socket head cap screw (TCCE) in stainless steel (Aisi 304) DIN 912.

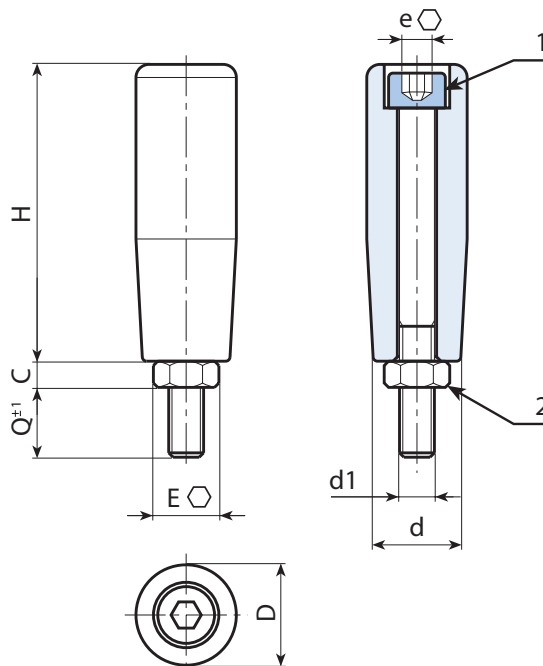
(2) Stainless steel nut (AISI 304) DIN 934.

Special Requests:

- Upon request and for special quantities available in the colours indicated in the chart [page 959].



13



Version M144: with black oxide treated steel inserts.

Code	art.	H	D	d	c	E	e	d1 _{6g}	Q	
M14450.0001	M14450.TM06X0901	49	19	17	5	10	5	M6	9	30
M14450.0005	M14450.TM08X1401	49	19	17	6,5	13	6	M8	14	32
M14460.0002	M14460.TM08X1501	59	21	19	6,5	13	6	M8	14,5	56
M14470.0003	M14470.TM08X1601	68,5	23,5	20	6,5	17	8	M8	15,5	68
M14470.0006	M14470.TM10X1601	68,5	23,5	20	8	17	8	M10	16	92
M14480.0001	M14480.TM10X1501	79	25,5	22	8	17	8	M10	15	110
M14490.0002	M14490.TM12X1701	89,5	27,5	24	7	19	10	M12	18	150

Version M144CIN: with stainless steel inserts (Aisi 304).

INOX

Code	art.	H	D	d	c	E	e	d1 _{6g}	Q	
M14450.0003	M14450.TM06X1401CIN	49	19	17	5	10	5	M6	14	30
M14450.0006	M14450.TM08X1401CIN	49	19	17	6,5	13	6	M8	14	32
M14460.0003	M14460.TM08X1501CIN	59	21	19	6,5	13	6	M8	14,5	56
M14470.0004	M14470.TM08X1601CIN	68,5	23,5	20	6,5	17	8	M8	15,5	68
M14470.0007	M14470.TM10X1601CIN	68,5	23,5	20	8	17	8	M10	16	92
M14480.0002	M14480.TM10X1501CIN	79	25,5	22	8	17	8	M10	15	110
M14490.0003	M14490.TM12X1701CIN	89,5	27,5	24,5	7	19	10	M12	18	150



M129



REVOLVING HANDLE WITH HEXAGONAL SOCKET STUD

Materials:

Reinforced polyamide.
Resistant to oils and greases.

Surface finish:

Satin.

Colour:

Black (RAL 9011).

Inserts:

M129:

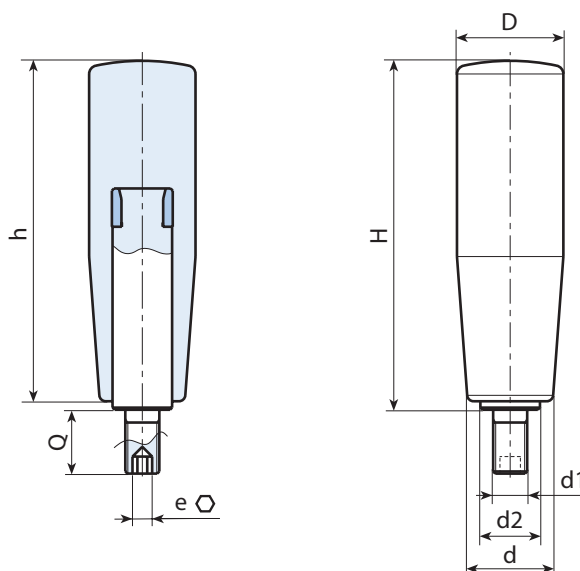
Revolving galvanised steel threaded stud, with hexagon socket head and harmonic steel rotating spring (thread tolerance 6g).

M129CIN:

Revolving stainless steel threaded stud (Aisi 303), with hexagon socket head and stainless steel rotating spring (Aisi 302) (thread tolerance 6g).

Special Requests:

- Upon request and for special quantities available in the colours indicated in the chart [page 959].



Version M129: with galvanised steel insert.

Code	art.	H	h	D	d	d2	e	d1 _{6g}	Q	
M12950.0001	M12950.TM06X1201	52	50,5	20	15	10	3	M6	12	42
M12960.0001	M12960.TM06X1201	62,5	60,5	23,5	18	10	3	M6	12	54
M12960.0003	M12960.TM08X1501	62,5	60,5	23,5	18	10	4	M8	15	60
M12970.0001	M12970.TM08X1501	72	70	25	18,5	10	4	M8	15	92
M12970.0003	M12970.TM10X1501	72	70	25	18,5	10	4	M10	15	94
M12980.0001	M12980.TM08X1501	81,5	79	26	22	14	4	M8	15	98
M12980.0004	M12980.TM10X1501	81,5	79	26	22	14	5	M10	15	104
M12980.0007	M12980.TM12X1501	81,5	79	26	22	14	5	M12	15	104
M12990.0001	M12990.TM10X1501	92	89,5	28	23,5	14	5	M10	15	118
M12990.0003	M12990.TM12X1501	92	89,5	28	23,5	14	5	M12	15	120

Version M129CIN: with stainless steel insert (Aisi 303).

INOX

Code	art.	H	h	D	d	d2	e	d1 _{6g}	Q	
M12950.0002	M12950.TM06X1201CIN	52	50,5	20	15	10	3	M6	12	42
M12960.0002	M12960.TM06X1201CIN	62,5	60,5	23,5	18	10	3	M6	12	54
M12960.0004	M12960.TM08X1501CIN	62,5	60,5	23,5	18	10	4	M8	15	60
M12970.0002	M12970.TM08X1501CIN	72	70	25	18,5	10	4	M8	15	92
M12980.0003	M12980.TM08X1501CIN	81,5	79	26	22	14	4	M8	15	98
M12980.0005	M12980.TM10X1501CIN	81,5	79	26	22	14	5	M10	15	104
M12980.0011	M12980.TM12X1501CIN	81,5	79	26	22	14	5	M12	15	104
M12990.0002	M12990.TM10X1501CIN	92	89,5	28	23,5	14	5	M10	15	118
M12990.0004	M12990.TM12X1501CIN	92	89,5	28	23,5	14	5	M12	15	120



M129BF

NEW



REVOLVING HANDLE MADE FROM ANTIBACTERIAL MATERIAL WITH STAINLESS STEEL HEXAGONAL SOCKET STUD

Materials:

Special technopolymer reinforced with high-strength glass fibre, with inorganic silver ion additives which make the material antibacterial (ISO 22196:2011). Resistant to oils and greases.

Surface finish:

Satin.

Colour:

Black (RAL 9011).

Inserts:

Revolving stainless steel threaded stud (Aisi 303), with hexagon socket head and stainless steel rotating spring (Aisi 302) (thread tolerance 6g).

Special Requests:

- None.

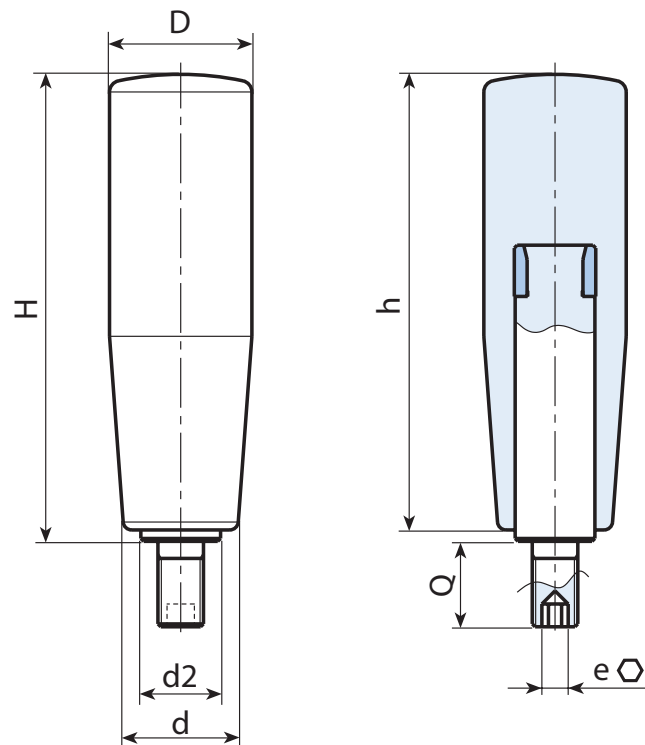
Notes:

The addition of a special antibacterial additive, based on inorganic silver ions, make these products naturally resistant to microbes, bacteria and fungi by preventing their formation and diffusion. The ions are released slowly, ensuring resistance over a long period even if subjected to frequent washing and sanitising. These ions remain intact at well over 200°C, and therefore suitable for resisting sterilization which normally occurs around 130°C. The material has been certified by credited laboratories and a declaration of conformity will be issued for every item delivered.

The proposed formulation complies with ISO 22196:2011 standard and in particular relates to the following strains:

- Escherichia Coli ATCC 25922
- Candida Albicans ATCC 10231
- Pseudomonas aeruginosa ATCC 13388
- Pseudomonas aeruginosa ATCC 15442
- Klebsiella pneumoniae ATCC 4352
- Staphylococcus aureus ATCC 6538

For all the tests the comparative reduction percentage ranges between 99.5% and 99.9%.



INOX

Code	art.	H	h	D	d	d2	e	d1 _{6g}	Q	g
M12980.0002	M12980.TM08X1501BF	81.5	79	26	22	14	4	M8	15	98



M229



“EUROMODEL” REVOLVING HANDLE WITH HEXAGONAL SOCKET STUD

Materials:

Reinforced polyamide.
Resistant to oils and greases.

Surface finish:

Satin.

Colour:

Black (RAL 9011).

Central Cap:

Grey polyamide (RAL 7035). 13).

Alternative Cap colours:

Orange (RAL 2004 code 02).
Blue (RAL 5015 code 07).
Yellow (RAL 1021 code 10).
Red (RAL 3000 code 16).
Green (RAL 6024 code 17).
Black (RAL 9011 code 01).

Revolving insert:

M229:

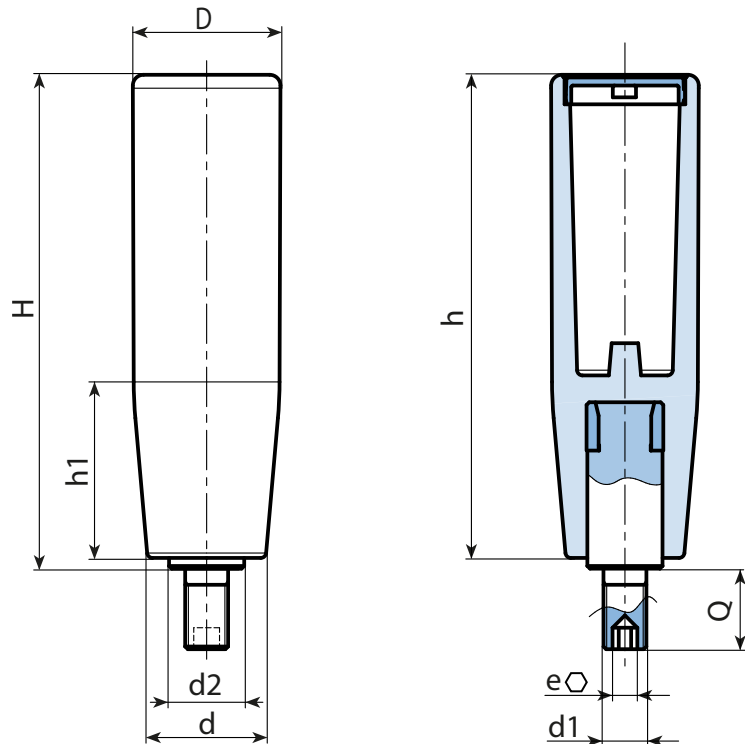
Revolving galvanised steel threaded stud, with hexagon socket head and brass washer (thread tolerance 6g).

M229CIN:

Revolving stainless steel threaded stud (Aisi 303), with hexagon socket head and brass washer (thread tolerance 6g).

Special requests:

- Upon request and for special quantities available in the colours indicated in the chart (attention: reduced range) [page 959].



Version M229: galvanised steel version.

Code	art.	H	D	d	d2	e	h	h1	d1 _{6g}	Q	g
M22990.0002	M22990.TM10X150113	92,5	27,5	22,5	14	5	90,5	35	M10	15	78
M22990.0006	M22990.TM12X150113	92,5	27,5	22,5	14	5	90,5	35	M12	15	82

Version M229CIN: stainless steel version.

Code	art.	H	D	d	d2	e	h	h1	d1 _{6g}	Q	g
M22990.0003	M22990.TM10X150113CIN	92,5	27,5	22,5	14	5	90,5	35	M10	15	78
M22990.0007	M22990.TM12X150113CIN	92,5	27,5	22,5	14	5	90,5	35	M12	15	82

INOX

M245

"EUROMODEL" REVOLVING HANDLE WITH RING NUT



Materials:

Reinforced polyamide.
Resistant to oils and greases.

Surface finish:

Satin.

Colour:

Black (RAL 9011).

Central Cap:

Grey polyamide (RAL 7035). 13).

Alternative Cap colours:

Orange (RAL 2004 code 02).
Blue (RAL 5015 code 07).
Yellow (RAL 1021 code 10).
Red (RAL 3000 code 16).
Green (RAL 6024 code 17).
Black (RAL 9011 code 01).

Revolving insert:

M245:

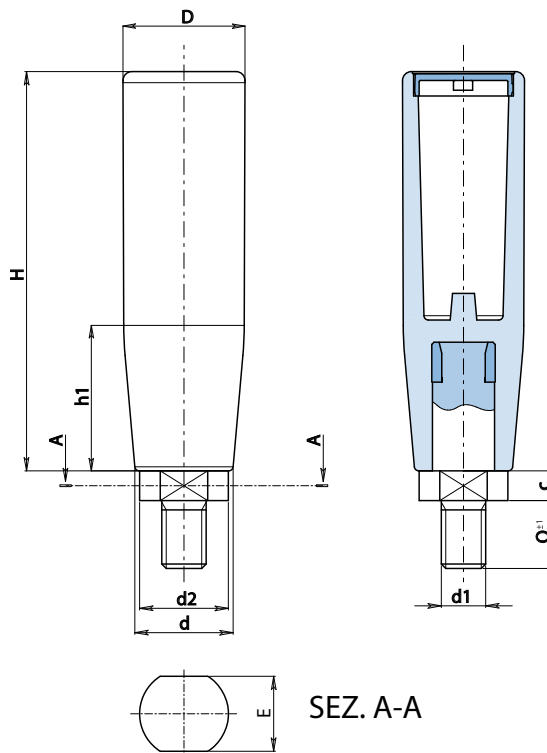
Revolving galvanised steel threaded stud, with ring nut with seat for key and brass rotating washer (thread tolerance 6g).

M245CIN:

Revolving stainless steel threaded stud (Aisi 303), with ring nut with seat for key and brass rotating washer (thread tolerance 6g).

Special requests:

- Upon request and for special quantities available in the colours indicated in the chart (attention: reduced range) [page 959].



Version M245: galvanised steel version.

Code	art.	H	D	d	d2	E	c	h1	d1 _{6g}	Q	
M24590.0004	M24590.TM10X150113	90	27,5	22,5	18	16	7	35	M10	15	86
M24590.0008	M24590.TM12X150113	90	27,5	22,5	18	16	7	35	M12	15	89

Version M245CIN: stainless steel version.

Code	art.	H	D	d	d2	E	c	h1	d1 _{6g}	Q	
M24590.0005	M24590.TM10X150113CIN	90	27,5	22,5	18	16	7	35	M10	15	86
M24590.0009	M24590.TM12X150113CIN	90	27,5	22,5	18	16	7	35	M12	15	89

INOX

M145

REVOLVING HANDLE WITH RING NUT



Materials:

Reinforced polyamide.
Resistant to oils and greases.

Surface finish:

Satin.

Colour:

Black (RAL 9011).

Inserts:

M145:

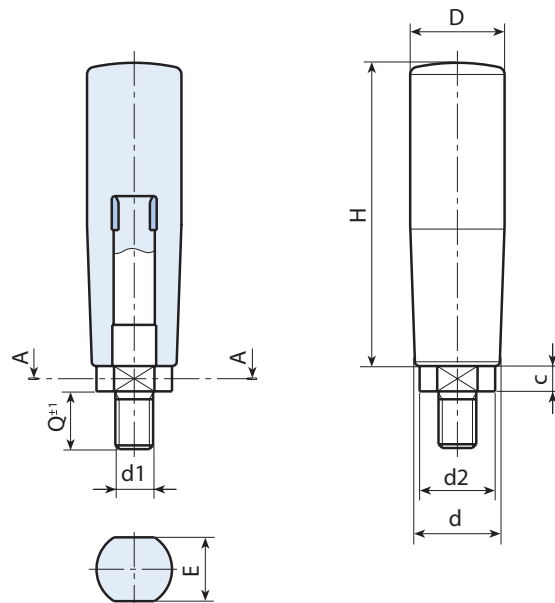
Revolving galvanised steel threaded stud, with ring nut with seat for key and harmonic steel rotating spring (thread tolerance 6g).

M145CIN:

Revolving stainless steel threaded stud (Aisi 303), with ring nut with seat for key and stainless steel rotating spring (Aisi 302) (thread tolerance 6g).

Special Requests:

- Upon request and for special quantities available in the colours indicated in the chart [page 959].



Version M145: with galvanised steel inserts.

Code	art.	H	D	d	d2	c	E	d1 _{6g}	Q	
M14550.0001	M14550.TM06X1201	50,5	20	15	12	5	10	M6	12	32
M14560.0001	M14560.TM08X1501	60,5	23,5	18	14	7	13	M8	15	74
M14570.0001	M14570.TM08X1501	70	25	18,5	14	7	13	M8	15	82
M14570.0003	M14570.TM10X1501	70	25	18,5	14	7	13	M10	15	86
M14580.0001	M14580.TM10X1501	79	26	21,5	18	6,5	16	M10	15	92
M14580.0003	M14580.TM12X1501	79	26	21,5	18	6,5	16	M12	15	96
M14590.0001	M14590.TM10X1501	89,5	28	23,5	18	6,5	16	M10	15	104
M14590.0003	M14590.TM12X1501	89,5	28	23,5	18	6,5	16	M12	15	108

Version M145CIN: with stainless steel inserts (Aisi 303).



Code	art.	H	D	d	d2	c	E	d1 _{6g}	Q	
M14550.0002	M14550.TM06X1201CIN	50,5	20	15	12	5	10	M6	12	32
M14560.0002	M14560.TM08X1501CIN	60,5	23,5	18	14	7	13	M8	15	74
M14570.0002	M14570.TM08X1501CIN	70	25	18,5	14	7	13	M8	15	82
M14570.0004	M14570.TM10X1501CIN	70	25	18,5	14	7	13	M10	15	86
M14580.0002	M14580.TM10X1501CIN	79	26	21,5	18	6,5	16	M10	15	92
M14580.0004	M14580.TM12X1501CIN	79	26	21,5	18	6,5	16	M12	15	96
M14590.0002	M14590.TM10X1501CIN	89,5	28	23,5	18	6,5	16	M10	15	104
M14590.0004	M14590.TM12X1501CIN	89,5	28	23,5	18	6,5	16	M12	15	108



M136

REVOLVING AND FOLDING HANDLE



Materials:

Reinforced polyamide.
Resistant to oils and greases.

Surface finish:

Satin.

Colour:

Black (RAL 9011).

Inserts:

M136

- 1) Black oxide treated steel revolving, folding threaded cross-head stud.
- 2) Threaded nut with black-oxide treated steel DIN 934.
- 3) Galvanised steel spring.

M136 CIN

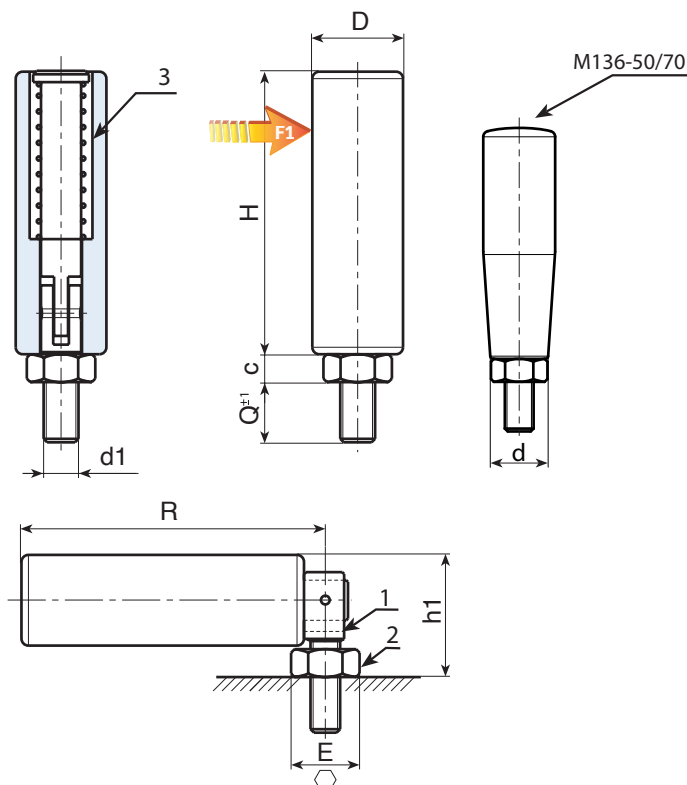
- 1) Stainless steel (Aisi 303) revolving, folding threaded cross-head stud.
- 2) Stainless steel (Aisi 304) threaded nut DIN 934.
- 3) Stainless steel spring (Aisi 302).

Special requests:

- Upon request and for special quantities inserts can be supplied galvanised (add CVZ at the end of the black-oxide-treated code).
- Upon request and for special quantities available in the colours indicated in the chart [page 959].



13



Version M136: black oxide treated steel version.

Code	art.	H	D	d	E	R	c	h1	d1 _{6g}	Q	g	F1 (N)
M13650.0001	M13650.TM06X0901	49,5	20	15	10	53	5	24,5	M6	9	39	270
M13670.0001	M13670.TM08X1001	69	23,5	20	13	73	6,5	28,5	M8	10	71	840
M13682.0002	M13682.TM10X1501	81	26	-	17	87	8	35	M10	15	152	1700
M13690.0001	M13690.TM10X1501	90	26	-	17	96	8	35	M10	15	160	2700

Version M136CIN: stainless steel version (Aisi 303).

Code	art.	H	D	d	E	R	c	h1	d1 _{6g}	Q	g	F1 (N)
M13650.0002	M13650.TM06X0901CIN	49,5	20	15	10	53	5	24,5	M6	9	39	270
M13670.0002	M13670.TM08X1001CIN	69	23,5	20	13	73	6,5	28,5	M8	10	71	840
M13682.0003	M13682.TM10X1501CIN	81	26	-	17	87	8	35	M10	15	152	1700
M13690.0002	M13690.TM10X1501CIN	90	26	-	17	96	8	35	M10	15	160	2700

INOX



M336

FULL STEEL REVOLVING, FOLDING HANDLE



Materials:

M336:

Free-cutting steel.

M336CIN:

Stainless steel (Aisi 303).

Surface finish:

M336:

Fine turned, standard blue galvanising.

M336CIN:

Fine turned, natural, untreated.

Inserts:

M336:

1) Galvanised steel revolving, folding threaded cross-head stud.

2) Galvanised steel threaded nut DIN 934.

3) Galvanised steel spring.

M336CIN:

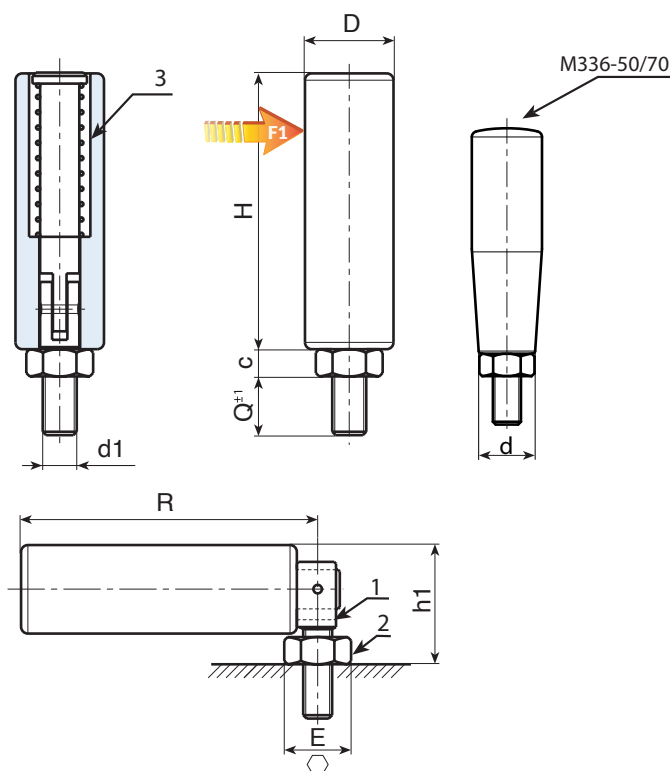
1) Stainless steel (Aisi 303) revolving, folding threaded cross-head stud.

2) Stainless steel (Aisi 304) threaded nut DIN 934.

3) Stainless steel spring (Aisi 302).

Special requests:

- None.



Version M336: galvanised steel version.

Code	art.	H	D	d	E	R	c	h1	d1 _{6g}	Q	📦	F1 (N)
M33650.0002	M33650.VZM06X09	49	20	15	10	53	5	24,5	M6	9	91	270
M33670.0002	M33670.VZM08X10	69	23	20	13	73	6,5	28	M8	10	177	840
M33682.0002	M33682.VZM10X15	81	26	-	17	87	8	35	M10	15	312	1700
M33690.0002	M33690.VZM10X15	89	26	-	17	95	8	35	M10	15	333	2700

Version M336CIN: stainless steel version.

Code	art.	H	D	d	E	R	c	h1	d1 _{6g}	Q	📦	F1 (N)
M33650.0001	M33650.INM06X09CIN	49	20	15	10	53	5	24,5	M6	9	91	270
M33670.0001	M33670.INM08X10CIN	69	23	20	13	73	6,5	28	M8	10	177	840
M33682.0001	M33682.INM10X15CIN	81	26	-	17	87	8	35	M10	15	312	1700
M33690.0001	M33690.INM10X15CIN	89	26	-	17	95	8	35	M10	15	333	2700

INOX

M204CIN

+135°
-30°

PA6
+G.F.

UL94
HB

RoHS
COMPLIANT

REVOLVING AND FOLDING HANDLE WITH ROUND STAINLESS STEEL BASE

INOX

Materials:

Reinforced polyamide.
Resistant to oils and greases.

Surface finish:

Satin.

Colour:

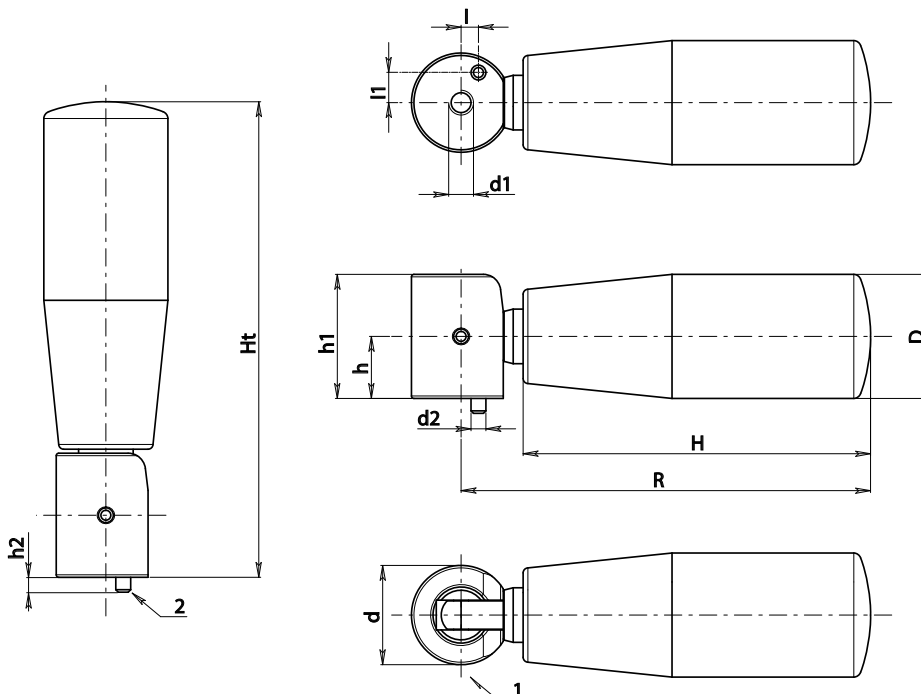
Black (RAL 9011).

Inserts:

- (1) Stainless steel revolving and folding mechanism (Aisi 303).
- (2) Stainless steel reference pin (Aisi 304) DIN 934.
- (3) Stainless steel spring (Aisi 302).

Special versions:

- Upon request and for special quantities available in the colours indicated in the chart [page 959].
- Upon request and for special quantities the insert can be supplied:
 - in black oxide treated steel (ZB at the end of the code),
 - in galvanised steel (CVZ at the end of the code),
 - in stainless steel Aisi 304 (CIH at the end of the code).



INOX

Code	art.	H	D	d	R	Ht	h	h1	h2	d1	d2	l	l1	g
M20470.0001	M20470.TM0501CIN	70	25	20	83	96	12,5	25	3	M5	3	3,5	6,1	114
M20480.0001	M20480.TM0501CIN	79	26	20	92,5	105	12,5	25	3	M5	3	3,5	6,1	145

M202



"EUROMODEL" REVOLVING HANDLE WITH SCREW AND BUSH ADAPTER

Materials:

Reinforced polyamide.
Resistant to oils and greases.

Surface finish:

Satin.

Colour:

Black (RAL 9011).

Central Cap:

(1) Grey polyamide (RAL 7035 code 13).

Alternative Cap colours:

Orange (RAL 2004 code 02).
Blue (RAL 5015 code 07).
Yellow (RAL 1021 code 10).
Red (RAL 3000 code 16).
Green (RAL 6024 code 17).
Black (RAL 9011 code 01).

Inserts:

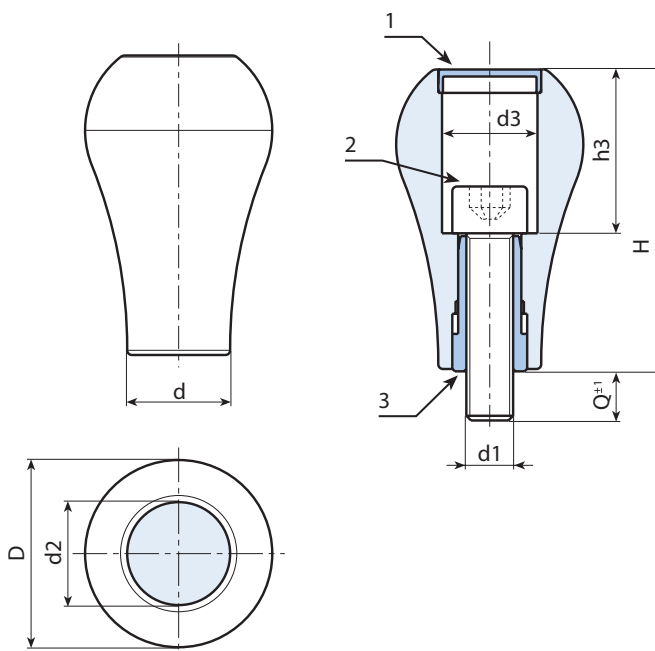
(2) Galvanised steel threaded screw DIN 912/UNI 5931.
(3) Bored through bush adapter in galvanised steel.

ATTENTION:

The handle is supplied unassembled and packaged separately.

Special Requests:

- Upon request and for special quantities inserts can be supplied with customised lengths.
- Upon request and for special quantities inserts can be supplied in different materials.
- Upon request and for special quantities available in the colours indicated in the chart (attention: reduced range) [page 959].



Code	art.	H	D	d	d2	d3	h3	d1 _{6g}	Q	
M20264.0002	M20264.TM08X1101Z1	64	40	22,5	22	20,5	34,5	M8	9	92
M20264.0006	M20264.TM10X1101Z1	64	40	22,5	22	20,5	34,5	M10	10,5	97

M135

ROUNDED HANDLE WITH PUSH-FIT HOLE



Materials:

Reinforced polyamide.
Resistant to oils and greases.

Surface finish:

Satin.

Colour:

Black (RAL 9011).

Hole:

Version TG:
Blind smooth bore, with deformable fixing ribs, obtained by moulding the plastic.

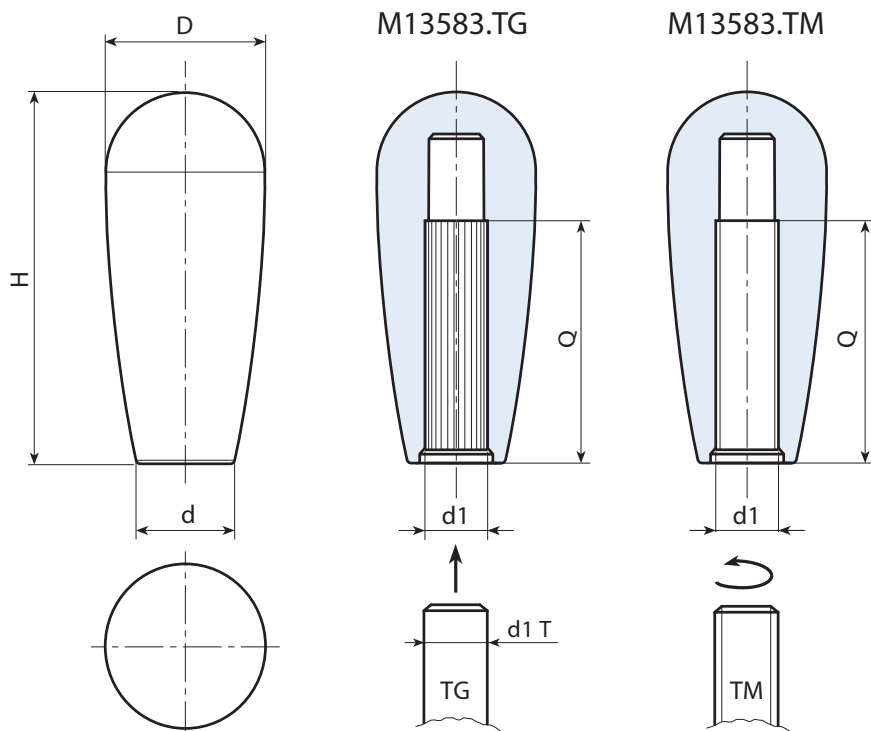
Version TM:
Female threaded hole obtained by moulding the plastic (thread tolerance not applicable).

Fixing method:

Version TG:
Push-fit.

Special Requests:

- Upon request and for special quantities the handle can be supplied with threaded hole (code TM).
- Upon request and for special quantities diameter d1 can be supplied to customer's drawing.
- Upon request and for special quantities available in the colours indicated in the chart [page 959].(*) ATTENTION reduced colour range.



Version TG: With push-fit hole.

Code	art.	H	D	d	d1 T	d1	Q	🔒
M13583.0004	M13583.TG1001	84,5	35,5	23	+0 -0,058	10	50	64
M13583.0008	M13583.TG1201	84,5	35,5	23	+0 -0,070	12	50	62
M13583.0011	M13583.TG1401	84,5	35,5	23	+0 -0,070	14	50	59

Version TM: With threaded hole.

Code	art.	H	D	d	d1	Q	🔒
M13583.0017	M13583.TM1001	84,5	35,5	23	M10	50	64



M128

GEAR STICK HANDLE



Materials:

Reinforced polyamide.
Resistant to oils and greases.

Surface finish:

Satin.

Colour:

Black (RAL 9011).

Hole:

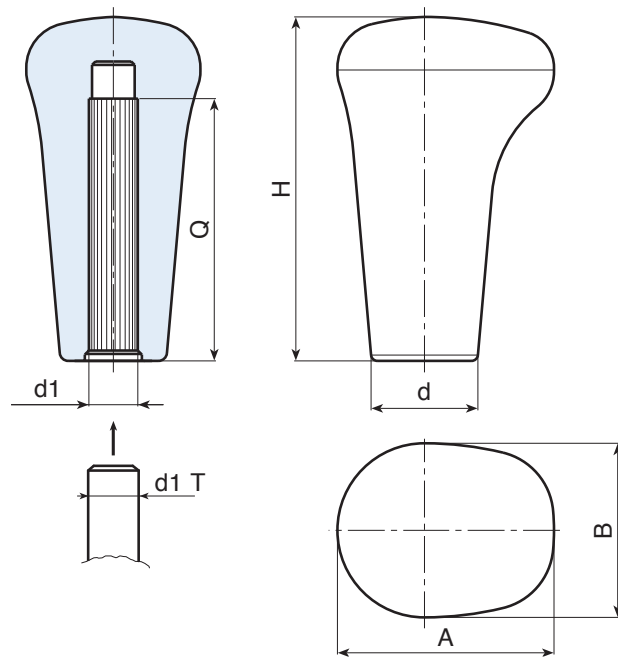
Blind smooth bore, with deformable fixing ribs, obtained by moulding the plastic.

Fixing method:

Push-fit.

Special Requests:

- Upon request and for special quantities diameter d1 can be supplied to customer's drawing.
- Upon request and for special quantities available in the colours indicated in the chart [page 959].(*) ATTENTION reduced colour range.



Code	art.	H	A	B	d	d1 T	d1	Q	g
M12880.0001	M12880.TG1201	80	50	40	25,5	+0 -0,058	12	55	74
M12880.0003	M12880.TG1401	80	50	40	25,5	+0 -0,070	14	70	70
M12880.0004	M12880.TG1601	80	50	40	25,5	+0 -0,070	16	70	65

M510

PUSH-FIT HANDLE WITH HOLE



Materials:

Blend of polypropylene and thermoplastic rubber TPV.

Surface finish:

Smooth.

Colour:

Black (RAL 9011).

Hole:

Blind smooth bore with small through hole obtained by moulding the plastic.

Fixing method:

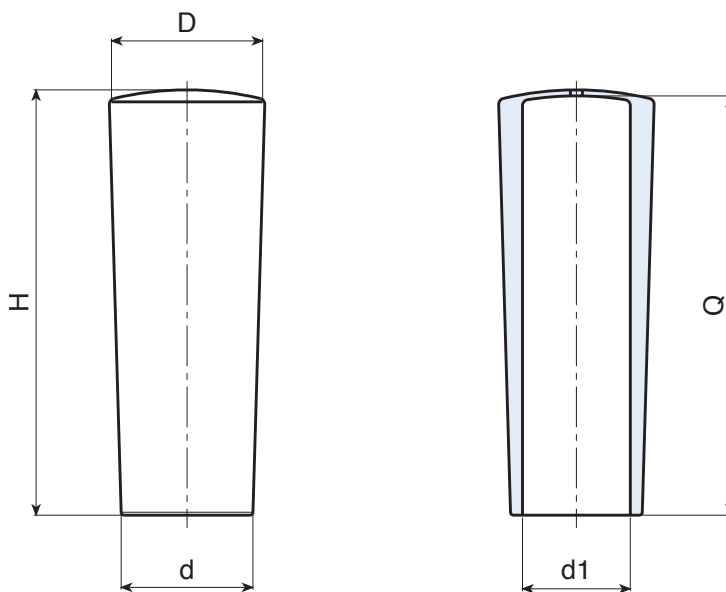
Push-fit.

Special Requests:

- None.



13



Code	art.	H	D	d	d1	Q	
M51034.0001	M51034.TG0801	35	16	14,5	8	32	4
M51034.0002	M51034.TG0901	35	16	14,5	9	32	3
M51038.0001	M51038.TG1001	38,5	18	16	10	35	6
M51038.0002	M51038.TG1101	38,5	18	16	11	35	5
M51043.0001	M51043.TG1201	43,5	20	16,5	12	40	7
M51048.0001	M51048.TG1401	48,5	23	18,5	14	44	10
M51062.0001	M51062.TG1601	62	25	20	16	59	12
M51072.0001	M51072.TG1801	72,5	27	22	18	69	16
M51079.0001	M51079.TG2001	79	30	24	20	76	20



M146

HANDLE WITH PUSH-FIT HOLE



Materials:

Reinforced polyamide.
Resistant to oils and greases.

Surface finish:

Satin.

Colour:

Black (RAL 9011).

Hole:

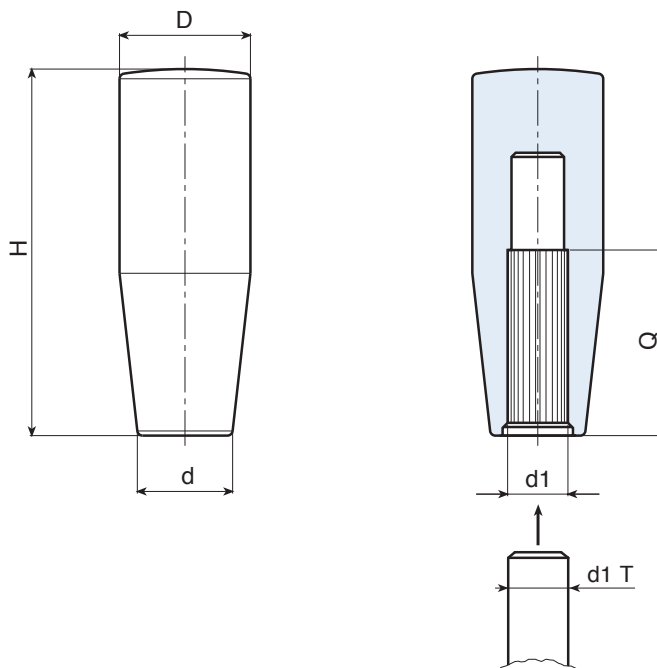
Blind smooth bore, with deformable fixing ribs, obtained by moulding the plastic.

Fixing method:

Push-fit.

Special Requests:

- Upon request and for special quantities available in the colours indicated in the chart [page 959].



Code	art.	H	D	d	d1 T	d1	Q	
M14650.0001	M14650.TG0801	50,5	20	15	+0 -0,058	8	36	14
M14650.0003	M14650.TG1001	50,5	20	15	+0 -0,058	10	35	12
M14660.0002	M14660.TG0801	60,5	23,5	18	+0 -0,058	8	50	24
M14660.0003	M14660.TG1001	60,5	23,5	18	+0 -0,058	10	50	20
M14660.0005	M14660.TG1201	60,5	23,5	18	+0 -0,070	12	50	20
M14670.0002	M14670.TG0801	70	25,5	18,5	+0 -0,058	8	50	32
M14670.0003	M14670.TG1001	70	25,5	18,5	+0 -0,058	10	50	30
M14670.0005	M14670.TG1201	70	25,5	18,5	+0 -0,070	12	50	28
M14680.0001	M14680.TG1001	79,5	26	22	+0 -0,058	10	50	40
M14680.0002	M14680.TG1201	79,5	26	22	+0 -0,070	12	50	38
M14680.0006	M14680.TG1401	79,5	26	22	+0 -0,070	14	50	34
M14690.0001	M14690.TG1201	89,5	28	23,5	+0 -0,070	12	70	46
M14690.0002	M14690.TG1401	89,5	28	23,5	+0 -0,070	14	70	42

M246



“EUROMODEL” HANDLE WITH PUSH-FIT HOLE

Materials:

Reinforced polyamide.
Resistant to oils and greases.

Surface finish:

Satin.

Colour:

Black (RAL 9011).

Central Cap:

Grey polyamide (RAL 7035). 13).

Alternative Cap colours:

Orange (RAL 2004 code 02).
Blue (RAL 5015 code 07).
Yellow (RAL 1021 code 10).
Red (RAL 3000 code 16).
Green (RAL 6024 code 17).
Black (RAL 9011 code 01).

Hole:

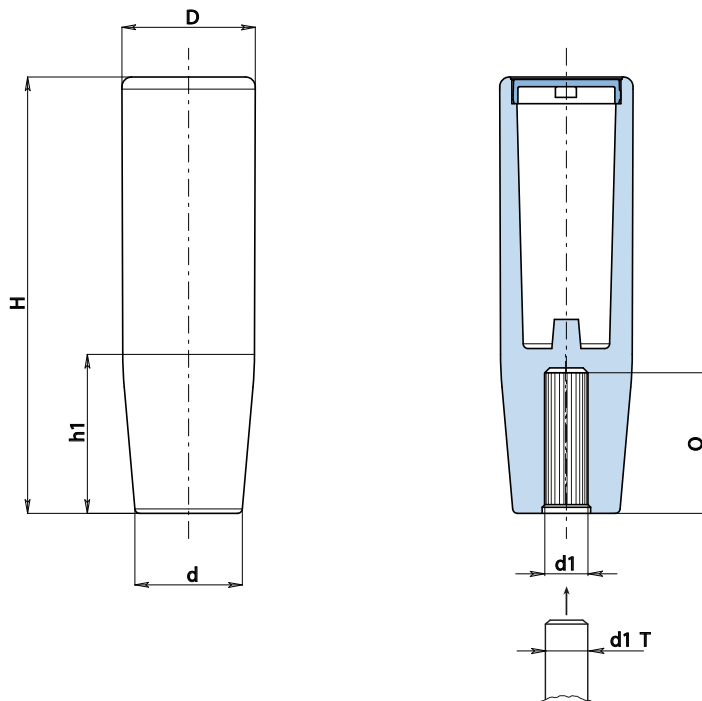
Blind smooth bore, with deformable fixing ribs, obtained by moulding the plastic.

Fixing method:

Push-fit.

Special Requests:

- Upon request and for special quantities available in the colours indicated in the chart (attention: reduced range) [page 959].



Code	art.	H	D	d	h1	d1 - T	d1	Q	g
M24690.0002	M24690.TG080113	90	27,5	22,5	35	+0 -0,058	8	29	41
M24690.0003	M24690.TG100113	90	27,5	22,5	35	+0 -0,058	10	29	39
M24690.0006	M24690.TG120113	90	27,5	22,5	35	+0 -0,070	12	29	38
M24690.0008	M24690.TG140113	90	27,5	22,5	35	+0 -0,070	14	29	37

M511

KNURLED HANDLE WITH PUSH-FIT HOLE



Materials:

Blend of polypropylene and thermoplastic rubber TPV.

Surface finish:

Smooth.

Colour:

Black (RAL 9011).

Hole:

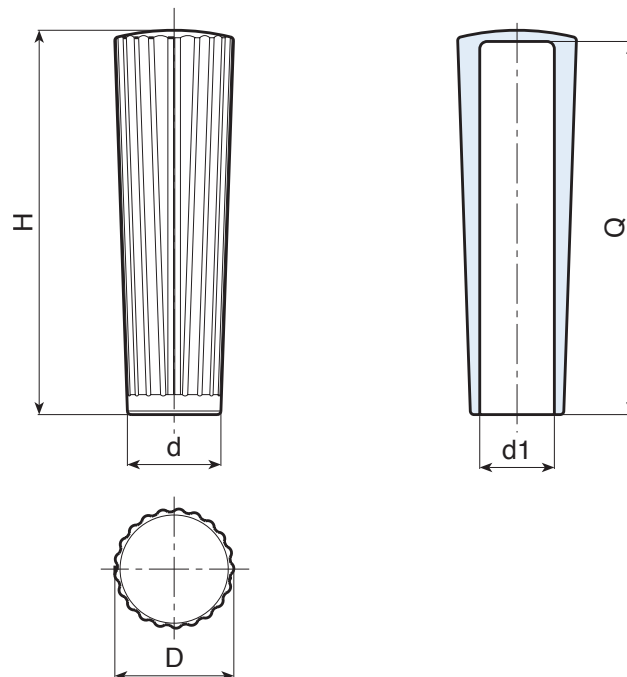
Blind smooth bore obtained by moulding the plastic.

Fixing method:

Push-fit.

Special Requests:

- None.



Code	art.	H	D	d	d1	Q	g
M511105.0001	M511105.EG2001	104,5	32	25	20	100	38



M720

RECTANGULAR HANDLE WITH PUSH-FIT HOLE



Materials:

Blend of polypropylene and thermoplastic rubber TPV.

Surface finish:

Smooth.

Colour:

Black (RAL 9011).

Hole:

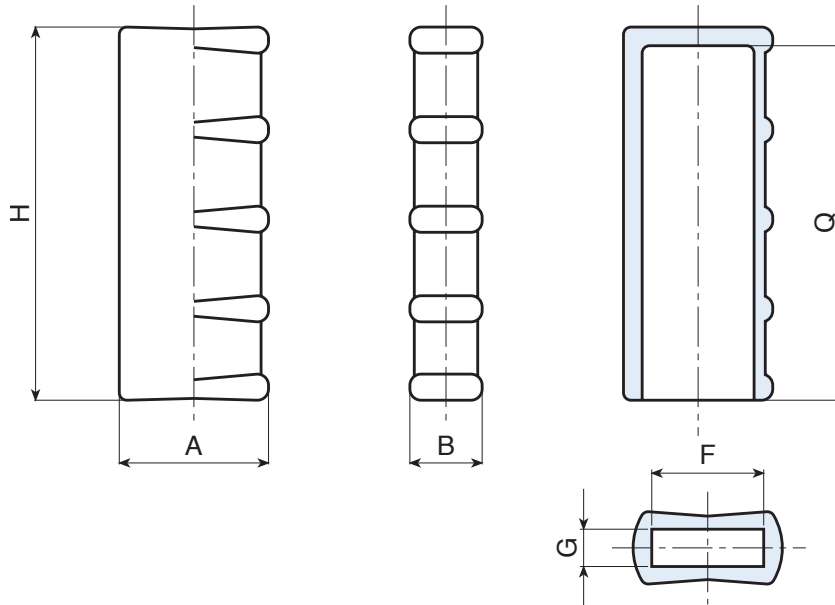
Rectangular blind smooth bore obtained by moulding the plastic.

Fixing method:

Push-fit.

Special Requests:

- None.



Code	art.	H	A	B	G±0.2	F±0.2	Q	g
M720079.0001	M720079.EG05X2001	79,5	32,5	17,5	5	20	75	30
M720079.0003	M720079.EG06X2001	79,5	32,5	17,5	6	20	75	30
M720079.0006	M720079.EG08X2001	79,5	32,5	17,5	8	20	75	25
M720079.0008	M720079.EG08X2501	79,5	32,5	17,5	8	25	75	23
M720079.0009	M720079.EG10X2001	79,5	32,5	17,5	10	20	75	22
M720100.0001	M720100.EG05X2001	101	40,5	20,5	5	20	95	59
M720100.0002	M720100.EG06X3001	101	40,5	20,5	6	30	95	52
M720100.0003	M720100.EG08X2501	101	40,5	20,5	8	25	95	49
M720100.0004	M720100.EG10X2801	101	40,5	20,5	10	28	95	45
M720100.0007	M720100.EG10X3001	101	40,5	20,5	10	30	95	45



M137

HANDLE WITH LEVER ARM



Materials:

Reinforced polyamide. Resistant to oils and greases.

Surface finish:

Satin.

Colour:

Black (RAL 9011).

Insert:

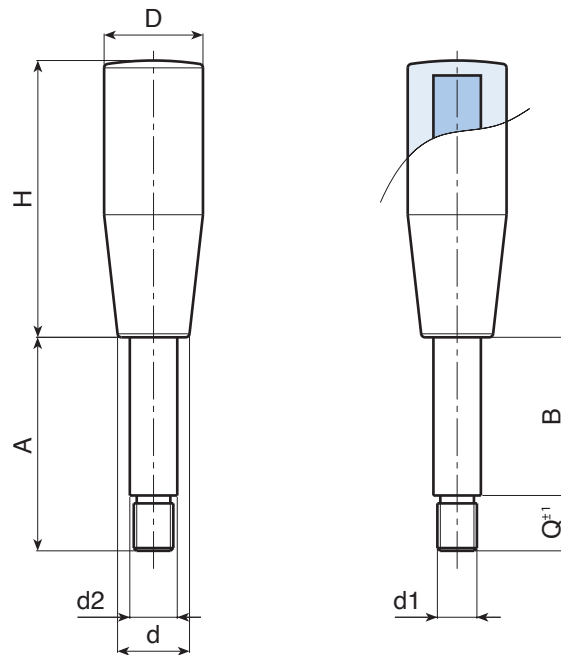
Galvanised steel partially threaded stud (thread tolerance 6g).

Fixing method:

Push fit after moulding (high temperature), not removable.

Special Requests:

- Upon request and for special quantities inserts can be supplied with dimensions according to customer's drawing.
- Upon request and for special quantities inserts can be supplied in different materials/with different coatings.
- Upon request and for special quantities available in the colours indicated in the chart [page 959].



Code	art.	H	D	d	B	d2	A	d1 _{6g}	Q	
M13750.0004	M13750.TI10X2501	50,5	20	15	15	10	25	M8	10	50
M13750.0005	M13750.TI10X3001	50,5	20	15	21	10	30	M8	10	50
M13750.0008	M13750.TI10X4001	50,5	20	15	30	10	40	M8	10	55
M13750.0012	M13750.TI10X5501Z1	50,5	20	15	45	10	55	M8	10	66
M13750.0018	M13750.TI10X8001	50,5	20	15	70	10	80	M8	10	82
M13760.0006	M13760.TI12X5801	61	23,5	18	44	12	58	M10	14	114
M13760.0007	M13760.TI12X6501	61	23,5	18	50	12	65	M10	15	114
M13760.0010	M13760.TI12X9501	61	23,5	18	80	12	95	M10	15	132
M13770.0006	M13770.TI14X6501	70	25,5	18,5	50	14	65	M12	15	142
M13770.0005	M13770.TI14X10501	70	25,5	18,5	90	14	105	M12	15	190
M13780.0005	M13780.TI14X6501	79,5	26	22	50	14	65	M12	15	160
M13780.0001	M13780.TI14X10501	79,5	26	22	90	14	105	M12	15	209
M13790.0002	M13790.TI16X6701	89,5	28	23,5	50	16	67	M14	17	150
M13790.0004	M13790.TI16X9701	89,5	28	23,5	80	16	97	M14	17	272
M13790.0001	M13790.TI16X11701	89,5	28	23,5	100	16	117	M14	17	305



GET A HANDLE ON SUCCESS.

