



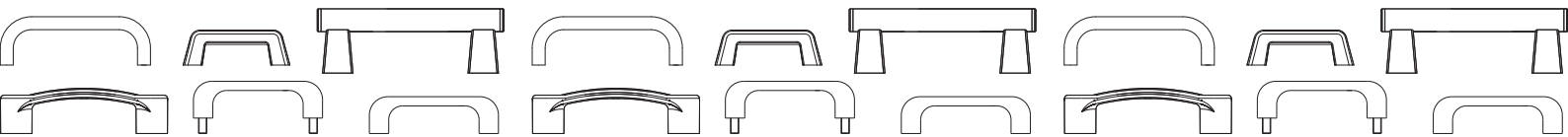
GROUP - 02



BRIDGE HANDLES

BOTECO Handles

Boteco offers an extensive range of different plastic and metal handles: bridge handles, U handles, tube handles, solid handles, Euromodel® line handles, handles with nuts, handles for welding machines, aluminium handles, chrome plated handles and many more. Boteco handles offer excellent grip for maximum comfort of use and combined with a choice of highly resistant materials the result is a top quality product at a competitive price. For detailed information on the specifications of each individual product please consult the technical sheet.



B450



RECESSED HANDLE L. 123mm. WITH REAR CASE AND SCREW MOUNT

Materials:

(1-3) A.B.S. front plate and case

Surface finish:

Satin.

Colour:

Black: (RAL 9011 code 01).

Inserts:

(4) 2 galvanised steel self-tapping screws 2.9.

Panel:

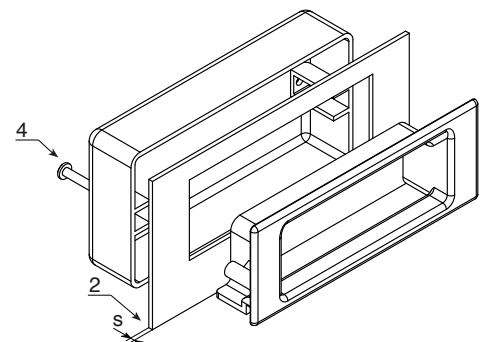
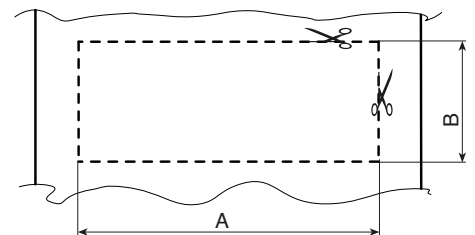
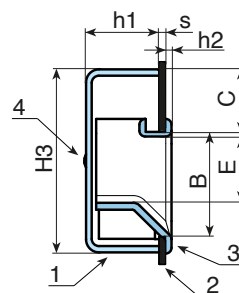
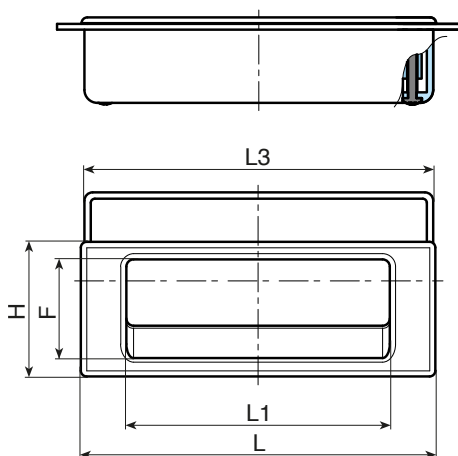
(2) Figurative panel as example.

Special requests:

- None.



02



Code	art.	L	A	B	C	E	F	H	H3	L1	L3	h1	h2	s	g
B450123.0001	B450123.AV101	123	114,5	38	22,7	22,5	37	47	63,5	93	121	26	2,5	1-6,3	58



B240

SOLID HANDLE WITH SCREW AND NUT



Materials:

Reinforced polyamide.
Resistant to oils and greases.

Surface finish:

Satin.

Colour:

Black: (RAL 9011 code 01).

Inserts:

B240:

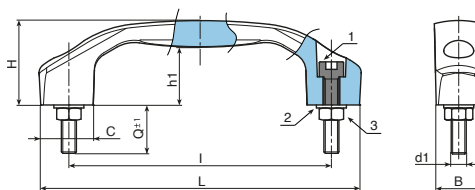
2 galvanised steel screws DIN 912.
2 galvanised steel nuts DIN 934.
2 galvanised steel perforated washers.

B240CIN:

2 stainless steel screws (Aisi 304) DIN 912.
2 stainless steel nuts (Aisi 304) DIN 934.
2 stainless steel perforated washers (Aisi 304).

Special requests:

- None.



Version B240: with galvanised steel inserts

Code	art.	L	I	B	C	H	h1	d1 _{6g}	Q	g	F1 (N)
B240100.0001	B240100.TM05X2001	122	100	17	20	33	23,5	M5	20	53	1000
B240120.0001	B240120.TM06X2501	146	120	21	24	39	27,5	M6	25	93	1000
B240140.0001	B240140.TM08X3001	170	140	24	28	45	31	M8	30	150	1000

Version B240CIN: with stainless steel inserts (Aisi 304)

Code	art.	L	I	B	C	H	h1	d1 _{6g}	Q	g	F1 (N)
B240100.0002	B240100.TM05X2001CIN	122	100	17	20	33	23,5	M5	20	53	1000
B240120.0002	B240120.TM06X2501CIN	146	120	21	24	39	27,5	M6	25	93	1000
B240140.0002	B240140.TM08X3001CIN	170	140	24	28	45	31	M8	30	150	1000

INOX



B230

"EUROMODEL" SAFETY HANDLE WITH THROUGH HOLES AND CENTRAL CAP



MODELLO DEPOSITATO

Materials:

Reinforced polyamide.
Resistant to oils and greases.

Surface finish:

Satin.

Colour:

Black (RAL 9011).

Standard cap:

Rectangular cap in orange polyamide (RAL 2004 code 02).

Alternative cap colours:

Grey (RAL 7035 cod. 13).
Blue (RAL 5015 code 07).
Yellow (RAL 1021 code 10).
Red (RAL 3000 code 16).
Green (RAL 6024 code 17).
Black (RAL 9011 code 01).

Hole:

Smooth through hole obtained by moulding the plastic.

Version TS:

Seat for countersunk screw DIN 7991 / UNI 5933.

Version TC:

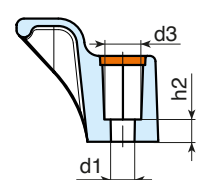
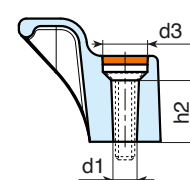
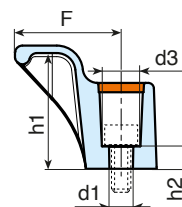
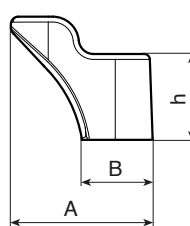
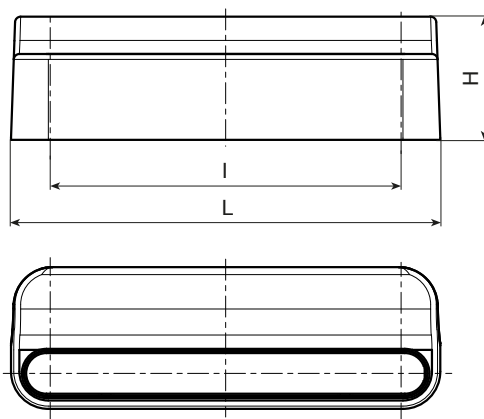
Seat for cylindrical head screw DIN 912 / UNI 5931.

Version TE:

Seat for hex head screw DIN 933 / UNI 4017, or for nut DIN 934 / UNI 5588.

Special requests:

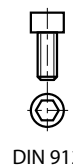
- Upon request and for special quantities available in the colours indicated in the chart [page 959].



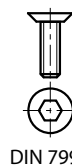
Ver.TC

Ver.TS

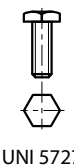
Ver.TE



DIN 912



DIN 7991



UNI 5727

Version TC: with hole for cylindrical head screws

Code	art.	L	I	H	F	h	h1	h2	A	B	d3	d1	g
B230094.0003	B230094.TG06.50102TC	115	94	33	28,5	23	31	6	38	19	10,3	6,5	54

Version TS: with hole for countersunk head screws

Code	art.	L	I	H	F	h	h1	h2	A	B	d3	d1	g
B230094.0005	B230094.TG06.50102TS	115	94	33	28,5	23	31	16,3	38	19	11,9	6,5	54

Version TE: with hole for hex head screws

Code	art.	L	I	H	F	h	h1	h2	A	B	d3	d1	g
B230094.0004	B230094.TG06.50102TE	115	94	33	28,5	23	31	6	38	19	10	6,5	54

B219



DUROPLAST FIXED BRIDGE HANDLE WITH THREADED BORE INSERT

Materials:

Phenolic resin.
Resistant to oils and greases.
Resistant to high temperatures.

Surface finish:

Glossy.

Colour:

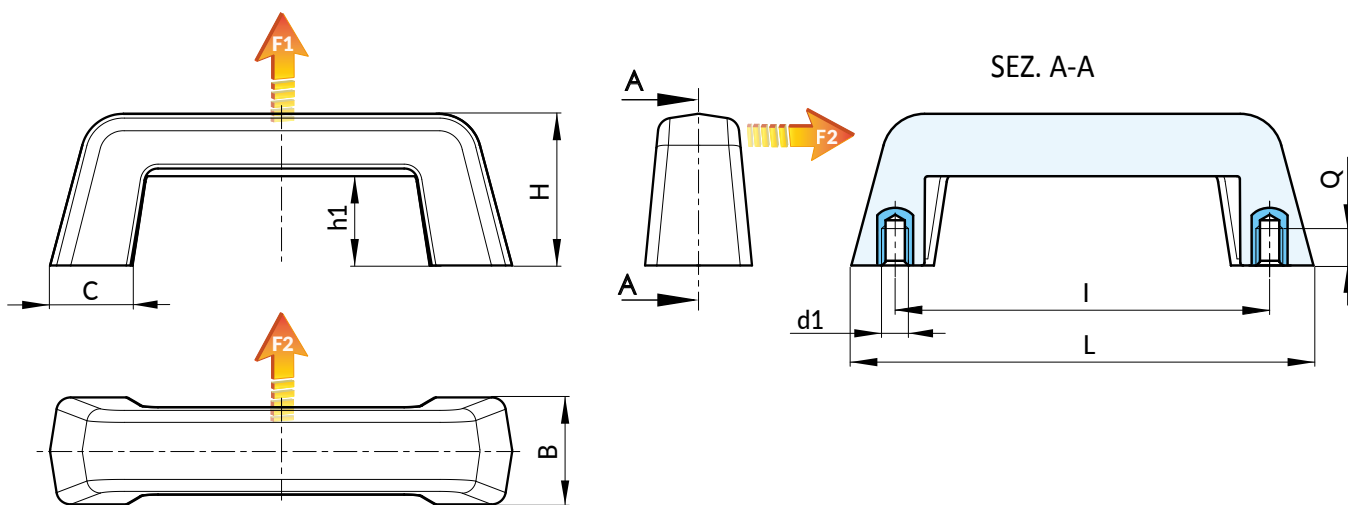
Black (RAL 9011).

Inserts:

Brass insert with female threaded hole (thread tolerance 6H).

Special requests:

- None.



Code	art.	L	I	B	H	h1	C	d1 ^{6H}	Q	g	F1 (N)	F2 (N)
B219110.0001	B219110.BM0501	130	109	32	45	29	21	M5	10	94	800	500
B219110.0002	B219110.BM0601	130	109	32	45	29	21	M6	10	95	800	500
B219132.0001	B219132.BM0801	164	132	38	55	34	30	M8	12	190	1500	850
B219132.0002	B219132.BM1001	164	132	38	55	34	30	M10	18	193	1500	850
B219150.0001	B219150.BM0801	187	150	40	60	43	35	M8	18	217	2000	1000
B219150.0002	B219150.BM1001	187	150	40	60	43	35	M10	18	216	2000	1000

B221

FIXED HANDLE WITH NUT



Materials:

Reinforced polyamide.
Resistant to oils and greases.

Surface finish:

Satin.

Colour:

Black (RAL 9011).

Inserts:

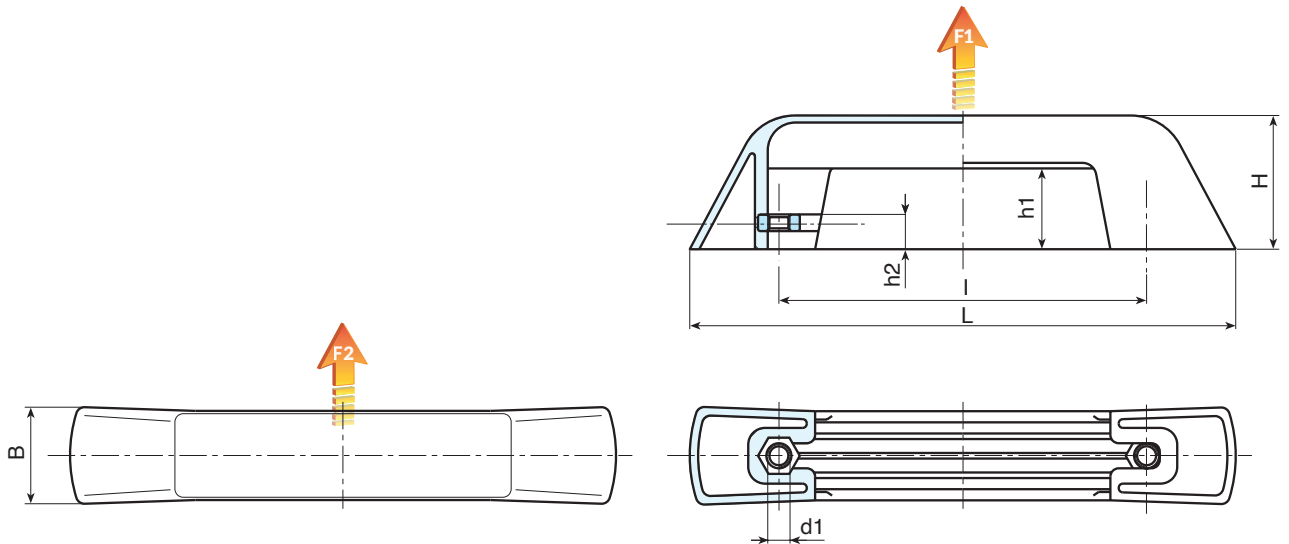
2 galvanised steel nuts DIN 934 - UNI 5588

Special requests:

- Upon request and for special quantities inserts can be supplied in different materials.
- Upon request and for special quantities available in the colours indicated in the chart [page 959].



02



Code	art.	L	l	B	H	h1	h2	d1	\bar{g}	F1 (N)	F2 (N)
B221132.0001	B221132.TM0801	198	132	34	48	29	12.5	M8	107	6785	3400

B222

FIXED BRIDGE HANDLE WITH THREADED HOLE



Materials:

Phenolic resin.
Resistant to oils and greases.
Resistant to high temperatures.

Surface finish:

Glossy.

Colour:

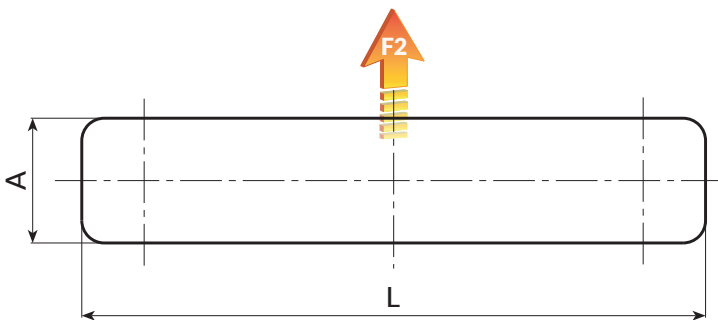
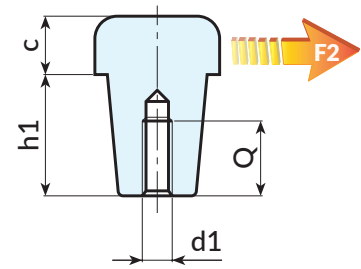
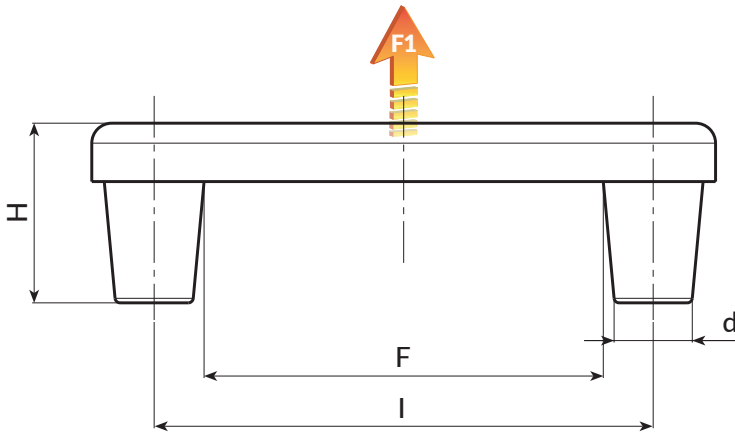
Black (RAL 9011).

Hole:

Female threaded hole obtained by moulding the plastic.

Special requests:

- None.



Code	art.	L	I	F	A	H	h1	c	d	d1	Q	g	F1(N)	F2(N)
B222100.0002	B222100.BM0601CP	125	100	80	25	35.5	23.5	12	15.5	M6	15	63	2000	1400

B223



FIXED BRIDGE HANDLE WITH SMOOTH THROUGH HOLE

Materials:

Phenolic resin.
Resistant to oils and greases.
Resistant to high temperatures.

Surface finish:

Glossy.

Colour:

Black (RAL 9011).

Hole:

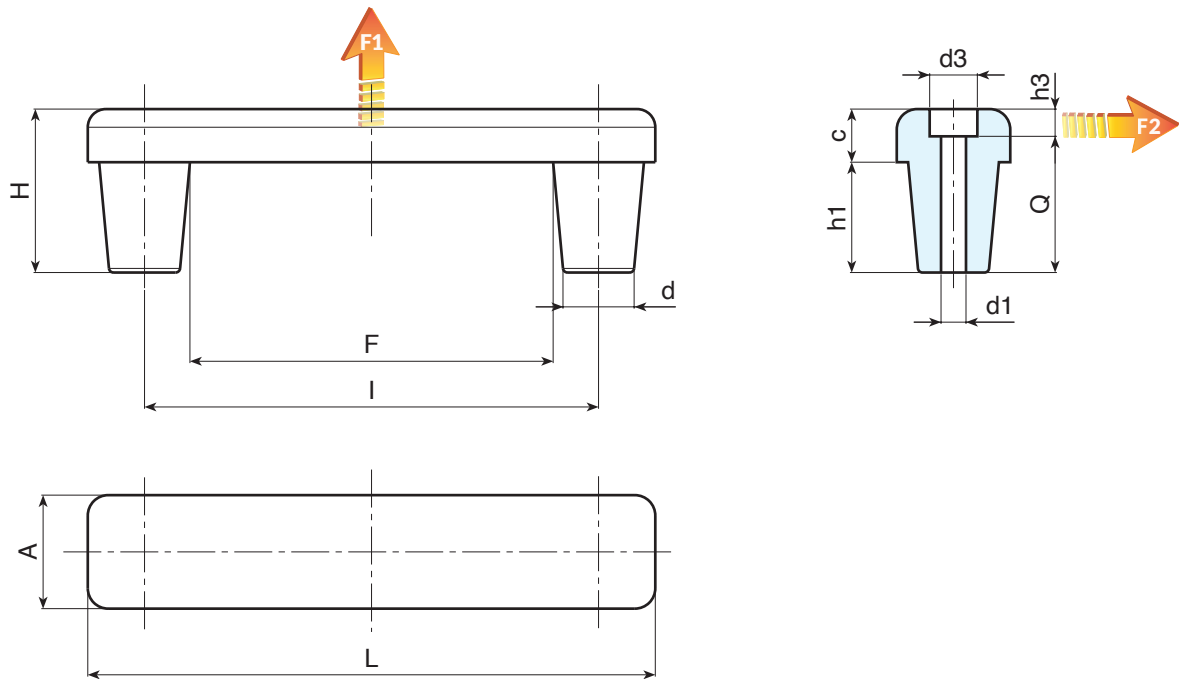
Smooth through hole obtained by moulding the plastic.

Special requests:

- None.



02



Code	art.	L	I	F	A	H	h1	h3	c	d	d3	d1	Q	g	F1 (N)	F2 (N)
B223100.0001	B223100.BG5.501PP	125	100	80	25	34	23.5	6	10.5	15.5	10.5	5.5	30	55	2000	1400

B225

FIXED HANDLE FOR CURVED SURFACES



Materials:

Reinforced polyamide.
Resistant to oils and greases.

Surface finish:

Satin.

Colour:

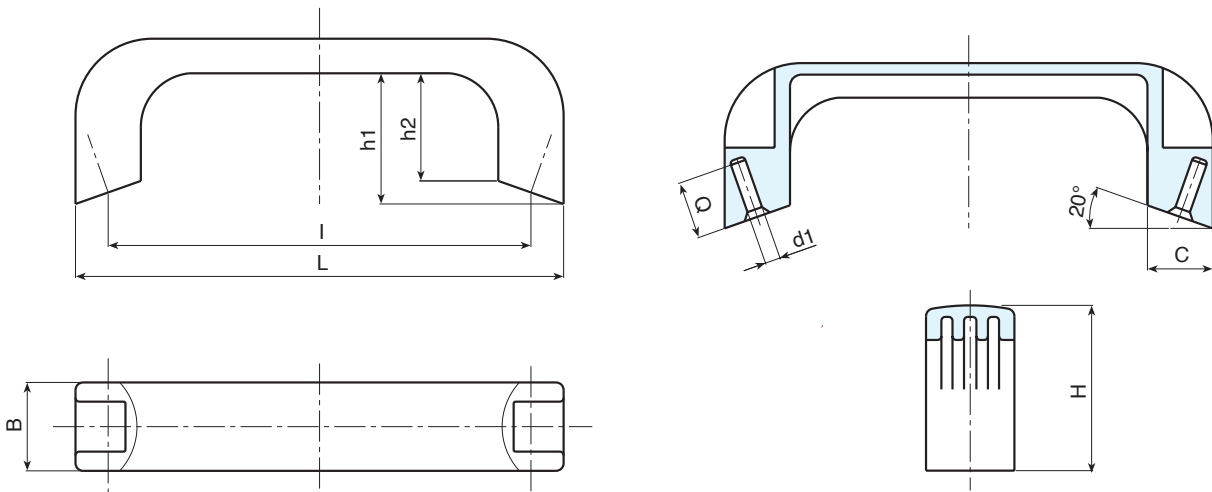
Black (RAL 9011).

Hole:

Smooth through hole obtained by moulding the plastic for self-tapping screw.

Special requests:

- Upon request and for special quantities available in the colours indicated in the chart [page 959].



Code	art.	L	l	B	H	h1	C	d1	Q	g
B225110.0001	B225110.TG0401CP	127	110	24	43	34	16	4	16	35

B229



FIXED HANDLE FOR CURVED SURFACES WITH INSERT

Materials:

Reinforced polyamide.
Resistant to oils and greases.

Surface finish:

Satin.

Colour:

Black (RAL 9011).

Insert:

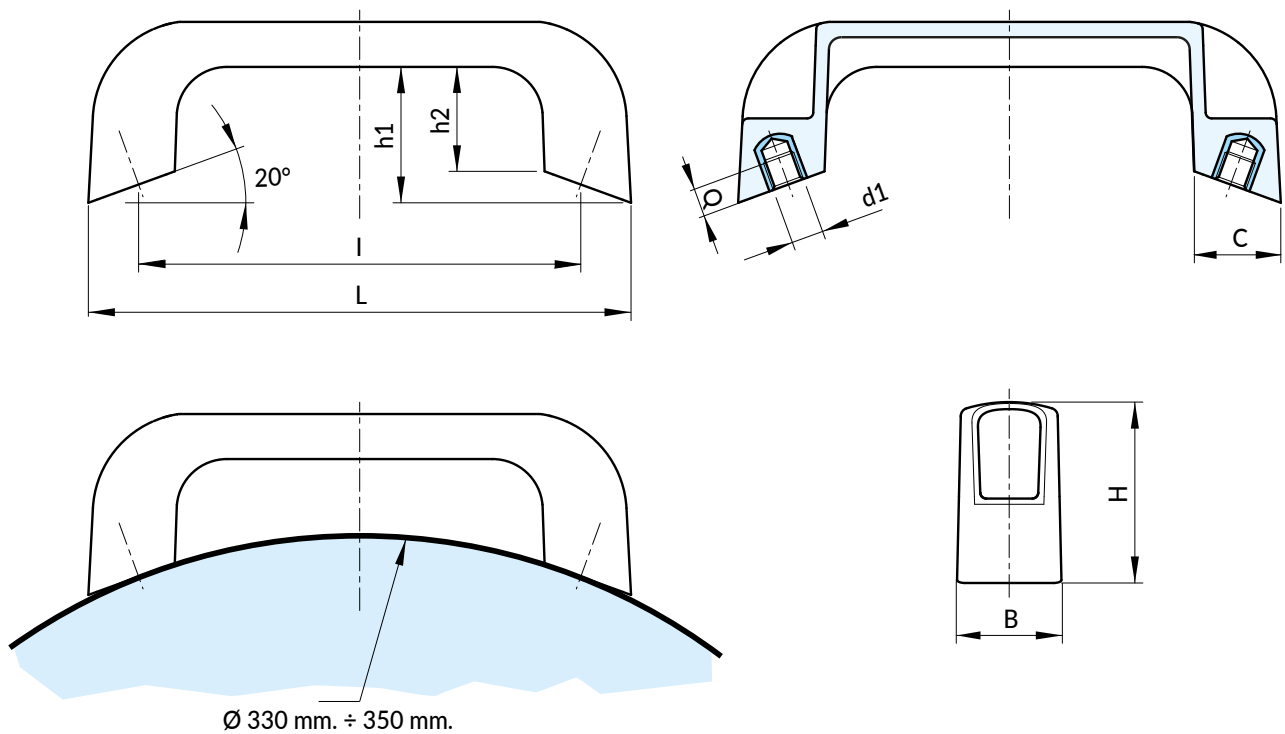
Brass insert with female threaded hole (thread tolerance 6H).

Special requests:

- Upon request and for special quantities available in the colours indicated in the chart [page 959].



02



Code	art.	L	I	B	H	h1	h2	C	d16H	Q	g
B229110.0001	B229110.TM0601	135	110	26	45	34	26	21.5	M6	8	55
B229110.0002	B229110.TM0801	135	110	26	45	34	26	21.5	M8	7	54

B227

INCLINED HANDLE



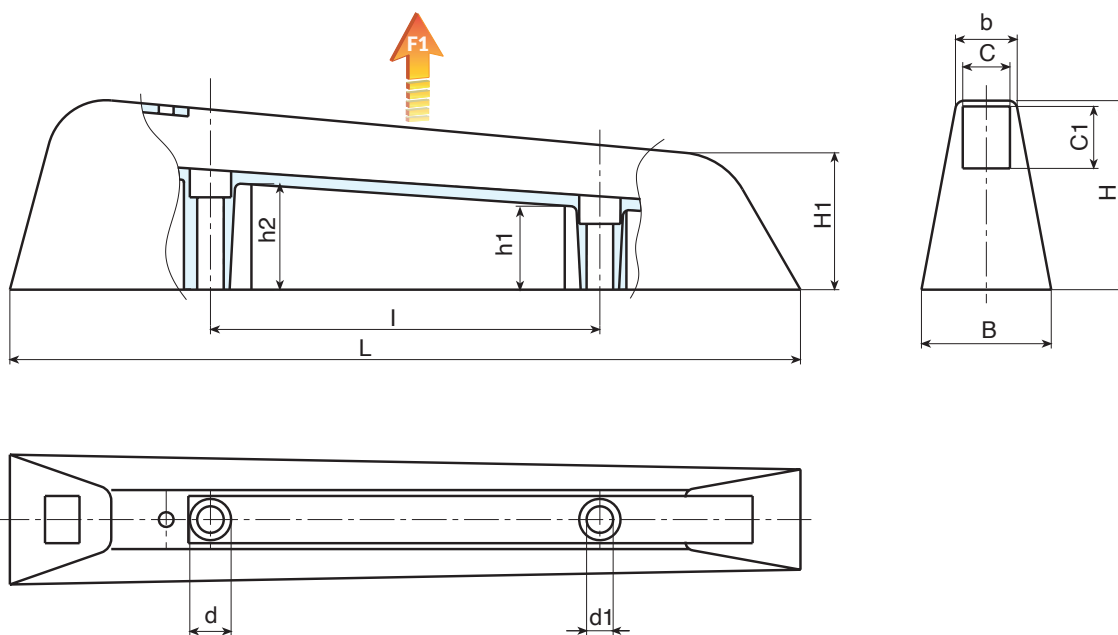
Materials:
Reinforced polypropylene.

Surface finish:
Satin.

Colour:
Black (RAL 9011).

Hole:
Smooth through hole obtained by moulding the plastic.

Special requests:
• None.



Code	art.	L	I	B	b	H	H1	h1	h2	C	C1	d	d1	g	F1 (N)
B227132.0001	B227132.TG08.501PP	268	132	44	20	65	46	26	34	15.5	20.5	14	8.5	106	1540

B228

FIXED HANDLE WITH THREADED STUD



Materials:

Reinforced polyamide.
Resistant to oils and greases.

Surface finish:

Satin.

Colour:

Black (RAL 9011).

Inserts:

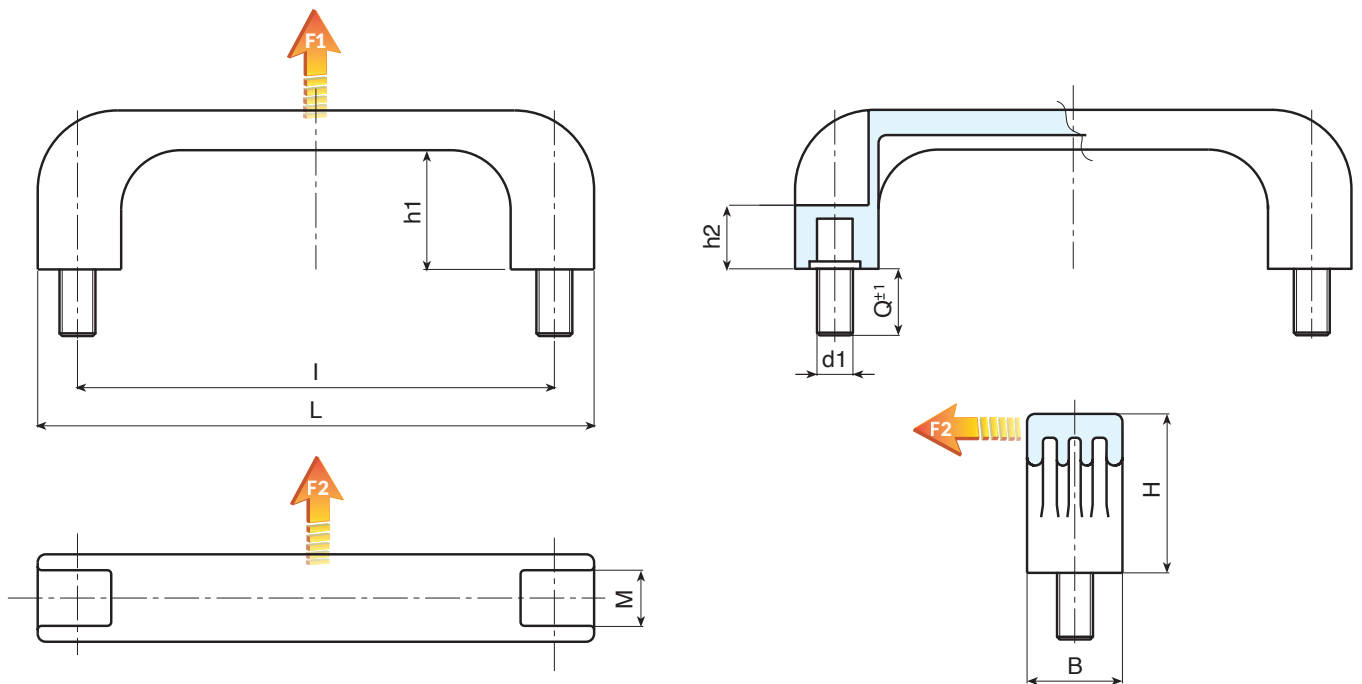
Galvanised steel threaded stud (thread tolerance 6g).

Special requests:

- Upon request and for special quantities inserts can be supplied in different materials.
- Upon request and for special quantities available in the colours indicated in the chart [page 959].



02



Code	art.	L	I	B	M	H	h1	h2	Q	d1 _{6g}	g	F1 (N)	F2 (N)
B228132.0001	B228132.TM06X1601	151	132	26	14	43	31	16	16	M6	85	3000	2200

B226

FIXED HANDLE WITH THREADED INSERT

+135°
-30°

PA6
+G.F.

UL94
HB

RoHS
COMPLIANT

Materials:

Reinforced polyamide.
Resistant to oils and greases.

Surface finish:

Satin.

Colour:

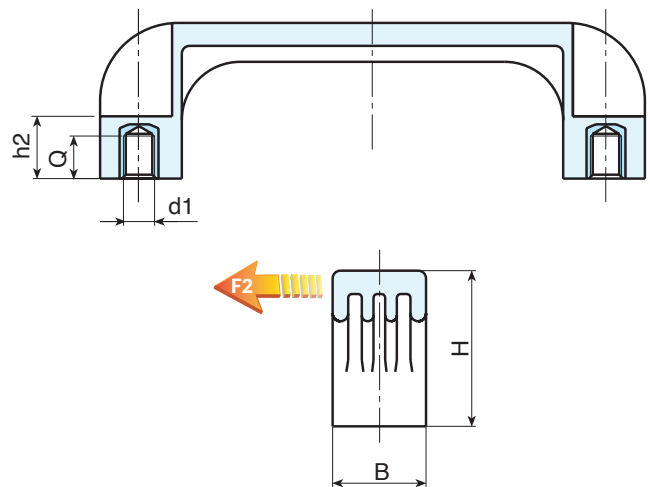
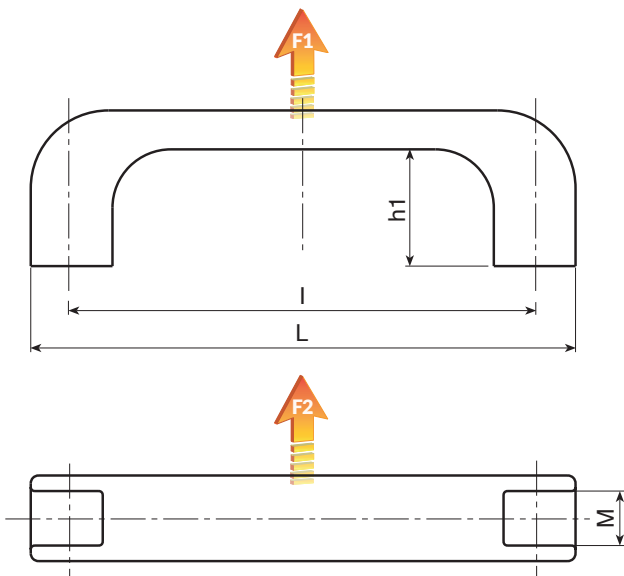
Black (RAL 9011).

Inserts:

Brass insert with female threaded hole (thread tolerance 6H).

Special requests:

- Upon request and for special quantities inserts can be supplied in different materials.
- Upon request and for special quantities available in the colours indicated in the chart [page 959].



Code	art.	L	I	B	M	H	h1	h2	Q	d16H	g	F1 (N)	F2 (N)
B226094.0001	B226094.TM0501	110	94	21	13	37	29	13	7	M5	23	4300	1300
B226094.0004	B226094.TM0601	110	94	21	13	37	29	13	7	M6	23	4300	1300
B226117.0002	B226117.TM0501	140	117	24	13	40	29	15	10	M5	43	4100	2800
B226117.0004	B226117.TM0601	140	117	24	13	40	29	15	9	M6	43	4100	2800
B226117.0008	B226117.TM0801	140	117	24	13	40	29	15	9	M8	43	4100	2800
B226120.0001	B226120.TM0501	140	120	24	14	40	29	15	10	M5	43	6100	2800
B226120.0003	B226120.TM0601	140	120	24	14	40	29	15	9	M6	43	6100	2800
B226120.0007	B226120.TM0801	140	120	24	14	40	29	15	9	M8	43	6100	2800
B226132.0001	B226132.TM0501	151	132	26	14	43	31	16	10	M5	70	7300	3500
B226132.0003	B226132.TM0601	151	132	26	14	43	31	16	9	M6	70	7300	3500
B226132.0005	B226132.TM0801	151	132	26	14	43	31	16	9	M8	70	3700	2800
B226180.0001	B226180.TM0601	200	180	28	17	51	39	21	14	M6	87	3700	2800
B226180.0002	B226180.TM0801	200	180	28	17	51	39	21	14	M8	88	3700	2800
B226235.0001	B226235.TM0801	262	235	32	20	53	40	21	14	M8	123	4300	3200
B226235.0003	B226235.TM1001	262	235	32	20	53	40	21	14	M10	123	4300	3200

B226AE

SELF-EXTINGUISHING FIXED HANDLE WITH THREADED INSERT



UL94 - V0

Materials:

Self-extinguishing reinforced polyamide UL94 V0 with yellow card.
Resistant to oils and greases.

Surface finish:

Satin.

Colour:

Black (RAL 9011).

Inserts:

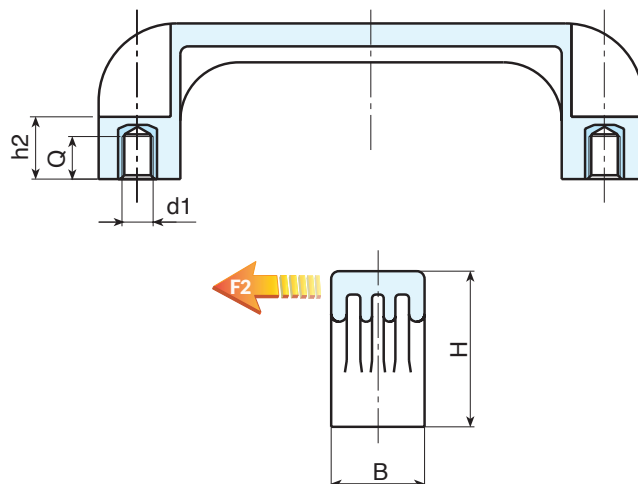
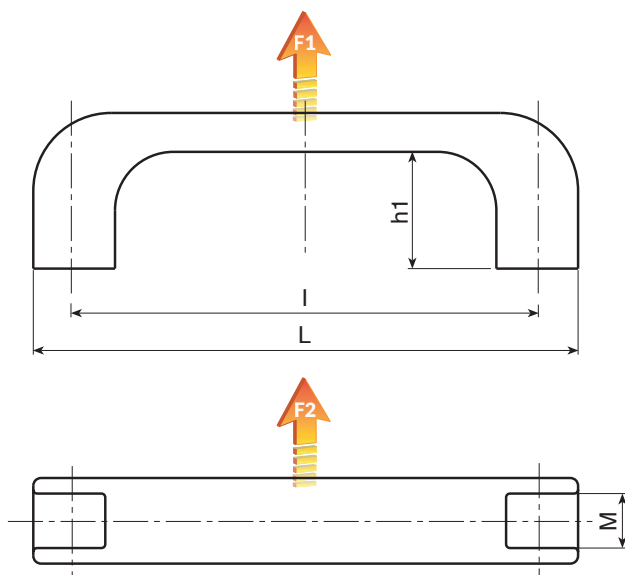
Brass insert with female threaded hole (thread tolerance 6H).

Special requests:

- Upon request and for special quantities inserts can be supplied in different materials.



02



UL94 V0

Code	art.	L	I	B	M	H	h1	h2	Q	d1 _{6H}	g	F1 (N)	F2 (N)
B226094.0002	B226094.TM0501AE	110	94	21	13	37	29	13	7	M5	23	4300	1300
B226094.0005	B226094.TM0601AE	110	94	21	13	37	29	13	7	M6	23	4300	1300
B226117.0003	B226117.TM0501AE	140	117	24	13	40	29	15	10	M5	43	4100	2800
B226117.0005	B226117.TM0601AE	140	117	24	13	40	29	15	9	M6	43	4100	2800
B226117.0009	B226117.TM0801AE	140	117	24	13	40	29	15	9	M8	43	4100	2800
B226120.0002	B226120.TM0501AE	140	120	24	14	40	29	15	10	M5	43	6100	2800
B226120.0004	B226120.TM0601AE	140	120	24	14	40	29	15	9	M6	43	6100	2800
B226120.0008	B226120.TM0801AE	140	120	24	14	40	29	15	9	M8	43	6100	2800
B226132.0002	B226132.TM0501AE	151	132	26	14	43	31	16	10	M5	70	7300	3500
B226132.0004	B226132.TM0601AE	151	132	26	14	43	31	16	9	M6	70	7300	3500
B226132.0006	B226132.TM0801AE	151	132	26	14	43	31	16	9	M8	70	3700	2800
B226180.0003	B226180.TM0801AE	200	180	28	17	51	39	21	14	M8	88	3700	2800
B226235.0002	B226235.TM0801AE	262	235	32	20	53	40	21	14	M8	123	4300	3200
B226235.0004	B226235.TM1001AE	262	235	32	20	53	40	21	14	M10	123	4300	3200



B224

FIXED HANDLE WITH THROUGH HOLE



Materials:

Reinforced polyamide.
Resistant to oils and greases.

Surface finish:

Satin.

Colour:

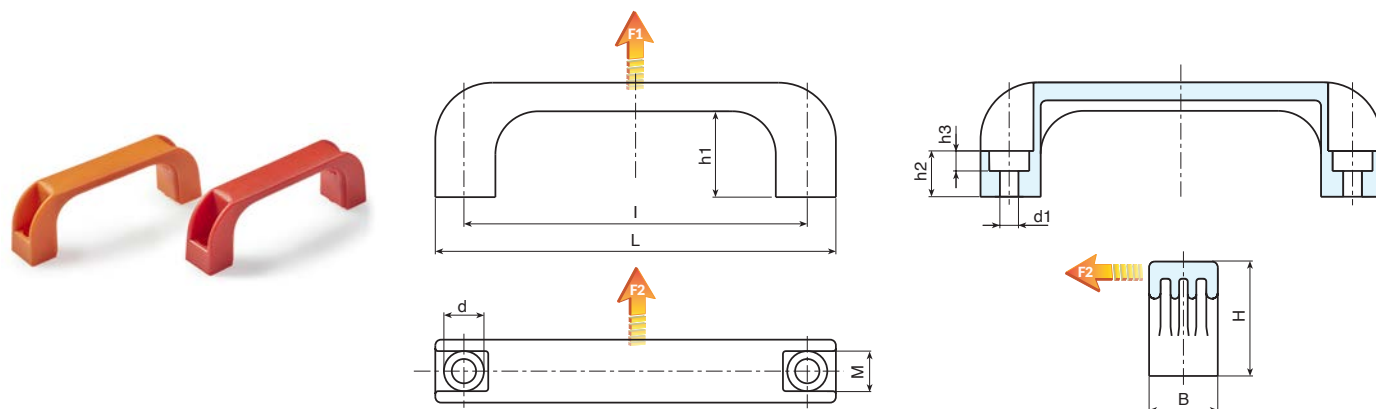
Black: (RAL 9011 code 01).
Orange: (RAL 2004 code 02).
Red: (RAL 3000 code 16).

Hole:

Smooth through hole obtained by moulding the plastic.

Special requests:

- Upon request and for special quantities available in the colours indicated in the chart [page 959].



B224 - Black handle (RAL 9001 code 01)

Code	art.	L	l	B	M	H	h1	h2	h3	d	d1	g	F1 (N)	F2 (N)
B224094.0002	B224094.TG6.501PP	110	94	21	13	37	29	13	7	11	6.5	22	2500	1251
B224117.0003	B224117.TG6.501PP	140	117	24	13	40	29	15	7	14	6.5	43	4400	3000
B224117.0010	B224117.TG8.501PP	140	117	24	13	40	29	15	9	14	8.5	39	4400	3000
B224120.0003	B224120.TG6.501PP	140	120	24	14	40	29	15	7	14	6.5	42	4800	3200
B224120.0010	B224120.TG8.501PP	140	120	24	14	40	29	15	9	14	8.5	39	4800	3200
B224132.0002	B224132.TG8.501PP	151	132	26	14	43	31	16	9	14	8.5	63	3400	3200
B224180.0003	B224180.TG8.501PP	200	180	28	17	51	39	21	9	14	8.5	74	4000	3000
B224235.0002	B224235.TG10.501PP	262	235	32	20	53	40	21	11	17	10.5	123	3800	3000

B224 - Orange handle (RAL 2004 code 02)

Code	art.	L	l	B	M	H	h1	h2	h3	d	d1	g	F1 (N)	F2 (N)
B224094.0004	B224094.TG6.502PP	110	94	21	13	37	29	13	7	11	6.5	22	2500	1250
B224117.0005	B224117.TG6.502PP	140	117	24	13	40	29	15	7	14	6.5	43	4400	3000
B224117.0016	B224117.TG8.502PP	140	117	24	13	40	29	15	9	14	8.5	39	4400	3000
B224120.0004	B224120.TG6.502PP	140	120	24	14	40	29	15	7	14	6.5	42	4800	3200
B224120.0011	B224120.TG8.502PP	140	120	24	14	40	29	15	9	14	8.5	39	4800	3200
B224132.0003	B224132.TG8.502PP	151	132	26	14	43	31	16	9	14	8.5	63	3400	3200
B224180.0004	B224180.TG8.502PP	200	180	28	17	51	39	21	9	14	8.5	74	4000	3000
B224235.0003	B224235.TG10.502PP	262	235	32	20	53	40	21	11	17	10.5	123	3800	3000

B224 - Red handle (RAL 3000 code 16)

Code	art.	L	l	B	M	H	h1	h2	h3	d	d1	g	F1 (N)	F2 (N)
B224094.0005	B224094.TG6.516PP	110	94	21	13	37	29	13	7	11	6.5	22	2500	1250
B224117.0007	B224117.TG6.516PP	140	117	24	13	40	29	15	7	14	6.5	43	4400	3000
B224117.0020	B224117.TG8.516PP	140	117	24	13	40	29	15	9	14	8.5	39	4400	3000
B224120.0006	B224120.TG6.516PP	140	120	24	14	40	29	15	7	14	6.5	42	4800	3200
B224132.0006	B224132.TG8.516PP	151	132	26	14	43	31	16	9	14	8.5	63	3400	3200
B224180.0005	B224180.TG8.516PP	200	180	28	17	51	39	21	9	14	8.5	74	4000	3000
B224235.0005	B224235.TG10.516PP	262	235	32	20	53	40	21	11	17	10.5	123	3800	3000



B224AE

+135°
-30°

PA6
+G.F.

UL94
V0

RoHS
COMPLIANT

SELF-EXTINGUISHING FIXED HANDLE WITH THROUGH HOLE

UL94 - V0

Materials:

Self-extinguishing reinforced polyamide UL94 V0 with yellow card.

Resistant to oils and greases.

Surface finish:

Satin.

Colour:

Black (RAL 9011).

Hole:

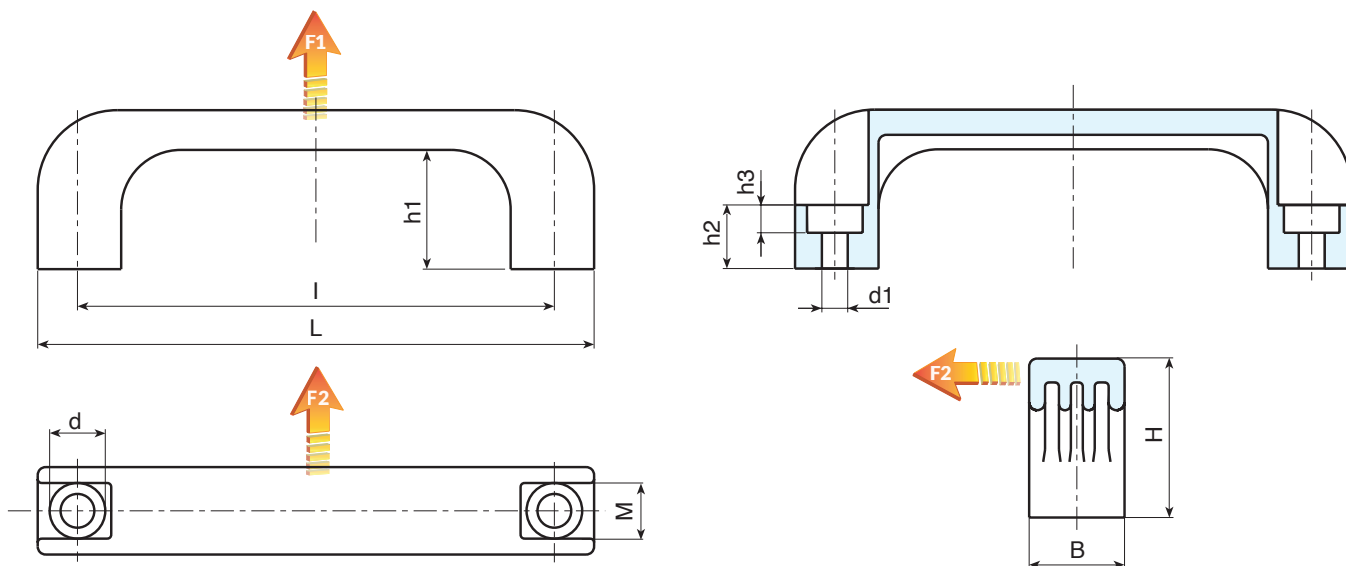
Smooth through hole obtained by moulding the plastic.

Special requests:

- None.



02



UL94 V0

Code	art.	L	l	B	M	H	h1	h2	h3	d	d1	g	F1 (N)	F2 (N)
B224094.0001	B224094.TG6.501AE	110	94	21	13	37	29	13	7	11	6.5	22	2500	1250
B224117.0001	B224117.TG6.501AE	140	117	24	13	40	29	15	7	14	6.5	43	4400	3000
B224117.0008	B224117.TG8.501AE	140	117	24	13	40	29	15	9	14	8.5	39	4400	3000
B224120.0002	B224120.TG6.501AE	140	120	24	14	40	29	15	7	14	6.5	42	4800	3200
B224120.0008	B224120.TG8.501AE	140	120	24	14	40	29	15	9	14	8.5	39	4800	3200
B224132.0001	B224132.TG8.501AE	151	132	26	14	43	31	16	9	14	8.5	63	3400	3200
B224180.0001	B224180.TG8.501AE	200	180	28	17	51	39	21	9	14	8.5	74	4000	3000
B224235.0001	B224235.TG10.501AE	262	235	32	20	53	40	21	11	17	10.5	123	3800	3000

B224BF

NEW



FIXED HANDLE WITH THROUGH HOLE MADE FROM ANTIBACTERIAL MATERIAL

Materials:

Special technopolymer reinforced with high-strength glass fibre, with inorganic silver ion additives which make the material antibacterial (ISO 22196:2011). Resistant to oils and greases.

Surface finish:

Satin.

Colour:

Black: (RAL 9011 code 01).

Hole:

Smooth through hole obtained by moulding the plastic.

Special requests:

- None.

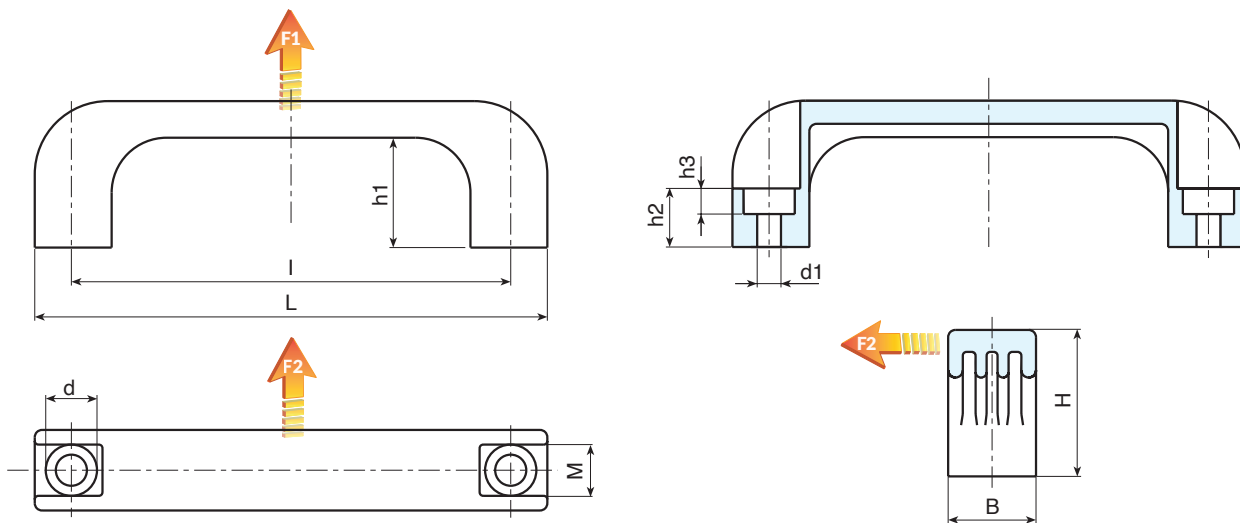
Notes:

The addition of a special antibacterial additive, based on inorganic silver ions, make these products naturally resistant to microbes, bacteria and fungi by preventing their formation and diffusion. The ions are released slowly, ensuring resistance over a long period even if subjected to frequent washing and sanitising. These ions remain intact at well over 200°C, and therefore suitable for resisting sterilization which normally occurs around 130°C. The material has been certified by credited laboratories and a declaration of conformity will be issued for every item delivered.

The proposed formulation complies with ISO 22196:2011 standard and in particular relates to the following strains:

- Escherichia Coli ATCC 25922
- Candida Albicans ATCC 10231
- Pseudomonas aeruginosa ATCC 13388
- Pseudomonas aeruginosa ATCC 15442
- Klebsiella pneumoniae ATCC 4352
- Staphylococcus aureus ATCC 6538

For all the tests the comparative reduction percentage ranges between 99.5% and 99.9%.



Code	art.	L	I	B	M	H	h1	h2	h3	d	d1	g	F1 (N)	F2 (N)
B224117.0002	B224117.TG6.501PBF	140	117	24	13	40	29	15	7	14	6.5	43	4400	3000
B224117.0009	B224117.TG8.501PBF	140	117	24	13	40	29	15	9	14	8.5	39	4400	3000
B224180.0002	B224180.TG8.501PBF	200	180	28	17	51	39	21	9	14	8.5	74	4000	3000



B236

SOLID HANDLE WITH THREADED INSERT



Materials:

Reinforced polyamide. Resistant to oils and greases.

Surface finish:

Satin.

Colour:

Black (RAL 9011).

Inserts:

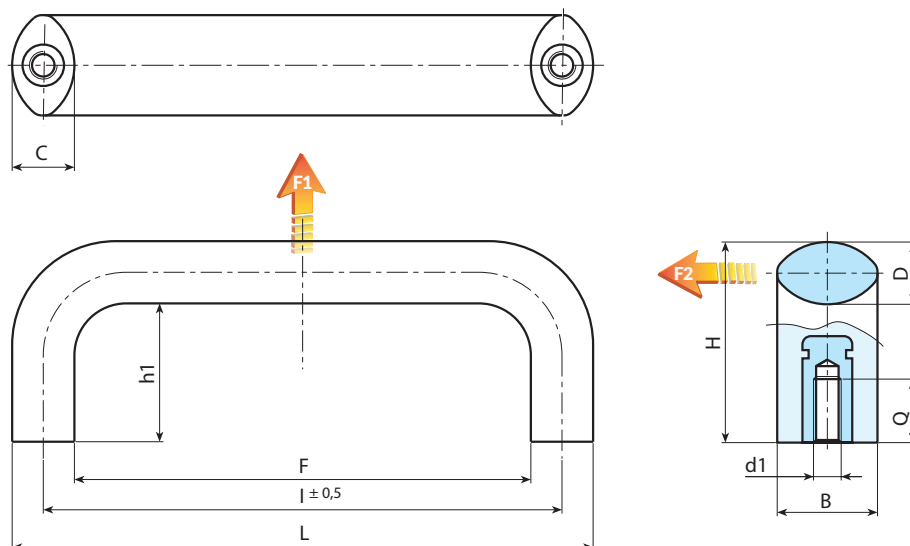
Brass insert with female threaded hole (thread tolerance 6H).

Special requests:

- Upon request and for special quantities inserts can be supplied in different materials.
- Upon request and for special quantities available in the colours indicated in the chart [page 959].



02



Code	art.	L	I	F	B	C	D	H	h1	Q	d1 ^{6H}	g	F1 (N)	F2 (N)
B236086.0001	B236086.TM0501	98.5	86	73.5	20	12.5	12.5	40	28	8	M05	40	4000	1500
B236086.0004	B236086.TM0601	98.5	86	73.5	20	12.5	12.5	40	28	8	M06	40	4000	1500
B236094.0001	B236094.TM0501	106.5	94	81.5	20	12.5	12.5	40	28	8	M05	40	3300	1600
B236094.0007	B236094.TM0601	106.5	94	81.5	20	12.5	12.5	40	28	8	M06	40	3300	1600
B236117.0001	B236117.TM0501	134	117	102	25	16	16	50	34	8	M05	84	4400	1800
B236117.0005	B236117.TM0601	134	117	102	25	16	16	50	34	8	M06	81	4400	1800
B236117.0009	B236117.TM0801	134	117	102	25	16	16	50	34	13	M08	80	4400	1800
B236120.0001	B236120.TM0501	134	120	102	25	16	16	50	34	15	M05	84	5200	2400
B236120.0005	B236120.TM0601	134	120	102	25	16	16	50	34	8	M06	81	5200	2400
B236120.0008	B236120.TM0801	134	120	102	25	16	16	50	34	13	M08	80	5200	2400
B236132.0001	B236132.TM0501	148	132	116	25	16	16	50	34	15	M05	90	3700	2600
B236132.0004	B236132.TM0601	148	132	116	25	16	16	50	34	8	M06	88	3700	2600
B236132.0007	B236132.TM0801	148	132	116	25	16	16	50	34	13	M08	85	3700	2600
B236150.0001	B236150.TM0601	168	149,5	132	29	18	18	58	40	16	M06	123	5900	1900
B236150.0004	B236150.TM0801	168	149,5	132	29	18	18	58	40	13	M08	121	5900	1900
B236150.0007	B236150.TM1001	168	149,5	132	29	18	18	58	40	13	M10	119	5900	1900
B236179.0001	B236179.TM0801	197	179	161	29	18	18	58	40	13	M08	135	3800	3200
B236179.0005	B236179.TM1001	197	179	161	29	18	18	58	40	13	M10	133	3800	3200

B236CIN

SOLID HANDLE WITH STAINLESS STEEL THREADED INSERT

+135°
-30°

PA6
+G.F.

UL94
HB

RoHS
COMPLIANT

INOX

Materials:

Reinforced polyamide. Resistant to oils and greases.

Surface finish:

Satin.

Colour:

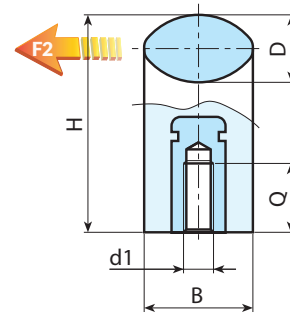
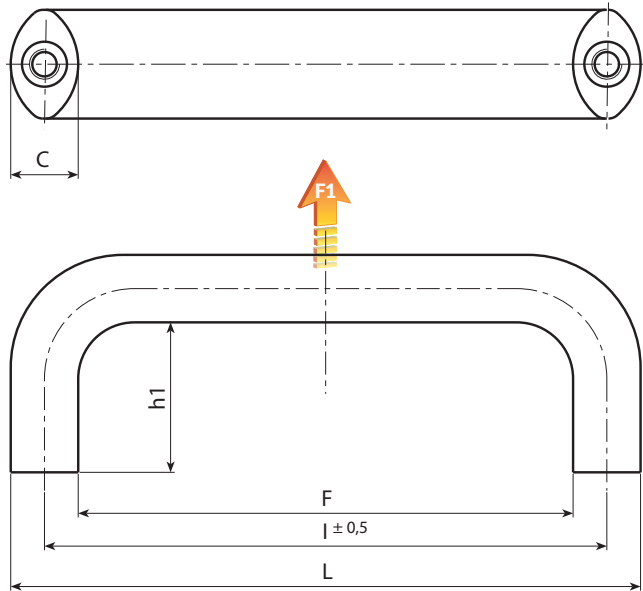
Black (RAL 9011).

Inserts:

Stainless steel insert with female threaded hole (Aisi 303) (thread tolerance 6H).

Special requests:

- Upon request and for special quantities available in the colours indicated in the chart [on page 959].



INOX

Code	art.	L	I	F	B	C	D	H	h1	Q	d1 ^{6H}	g	F1 (N)	F2 (N)
B236086.0003	B236086.TM0501CIN	98.5	86	73.5	20	12.5	12.5	40	28	8	M5	40	4000	1500
B236086.0006	B236086.TM0601CIN	98.5	86	73.5	20	12.5	12.5	40	28	9	M6	40	4000	1500
B236094.0003	B236094.TM0501CIN	106.5	94	81.5	20	12.5	12.5	40	28	8	M5	40	3300	1600
B236094.0009	B236094.TM0601CIN	106.5	94	81.5	20	12.5	12.5	40	28	9	M6	40	3300	1600
B236117.0004	B236117.TM0501CIN	134	117	102	25	16	16	50	34	8	M5	84	4400	1800
B236117.0008	B236117.TM0601CIN	134	117	102	25	16	16	50	34	9	M6	81	4400	1800
B236117.0012	B236117.TM0801CIN	134	117	102	25	16	16	50	34	13	M8	80	4400	1800
B236120.0003	B236120.TM0501CIN	134	120	102	25	16	16	50	34	8	M5	84	5200	2400
B236120.0007	B236120.TM0601CIN	134	120	102	25	16	16	50	34	9	M6	81	5200	2400
B236120.0010	B236120.TM0801CIN	134	120	102	25	16	16	50	34	13	M8	80	5200	2400
B236132.0003	B236132.TM0501CIN	148	132	116	25	16	16	50	34	8	M5	90	3700	2600
B236132.0006	B236132.TM0601CIN	148	132	116	25	16	16	50	34	9	M6	88	3700	2600
B236132.0009	B236132.TM0801CIN	148	132	116	25	16	16	50	34	13	M8	85	3700	2600
B236150.0003	B236150.TM0601CIN	168	149,5	132	29	18	18	58	40	13	M6	123	5900	1900
B236150.0006	B236150.TM0801CIN	168	149,5	132	29	18	18	58	40	13	M8	121	5900	1900
B236150.0009	B236150.TM1001CIN	168	149,5	132	29	18	18	58	40	16	M10	119	5900	1900
B236179.0004	B236179.TM0801CIN	197	179	161	29	18	18	58	40	13	M8	135	3800	3200
B236179.0008	B236179.TM1001CIN	197	179	161	29	18	18	58	40	16	M10	133	3800	3200

B236AE

SELF-EXTINGUISHING SOLID HANDLE WITH INSERT



UL94 - V0

Materials:

Self-extinguishing reinforced polyamide UL94 V0 with yellow card.
Resistant to oils and greases.

Surface finish:

Satin.

Colour:

Black (RAL 9011).

Inserts:

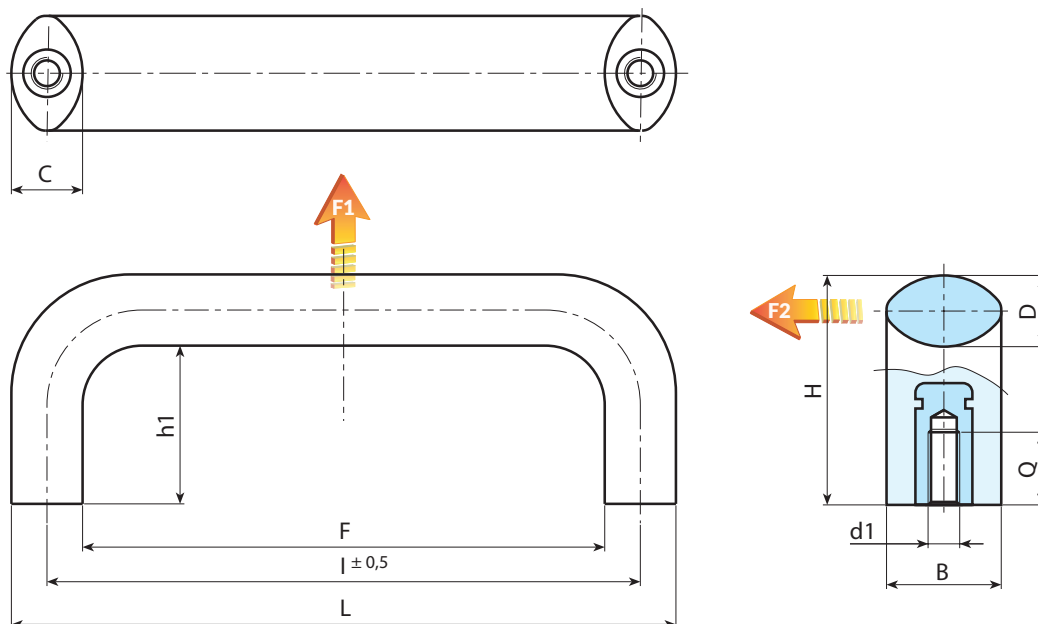
Brass insert with female threaded hole (thread tolerance 6H).

Special requests:

- Upon request and for special quantities inserts can be supplied in different materials.



02



UL94 V0

Code	art.	L	I	F	B	C	D	H	h1	Q	d1	g	F1 (N)	F2 (N)
B236086.0002	B236086.TM0501AE	98.5	86	73.5	20	12.5	12.5	40	28	8	M5	40	4000	1500
B236086.0005	B236086.TM0601AE	98.5	86	73.5	20	12.5	12.5	40	28	8	M6	40	4000	1500
B236094.0002	B236094.TM0501AE	106.5	94	81.5	20	12.5	12.5	40	28	8	M5	40	3300	1600
B236094.0008	B236094.TM0601AE	106.5	94	81.5	20	12.5	12.5	40	28	8	M6	40	3300	1600
B236117.0002	B236117.TM0501AE	134	117	102	25	16	16	50	34	8	M5	84	4400	1800
B236117.0006	B236117.TM0601AE	134	117	102	25	16	16	50	34	8	M6	81	4400	1800
B236117.0010	B236117.TM0801AE	134	117	102	25	16	16	50	34	13	M8	80	4400	1800
B236120.0002	B236120.TM0501AE	134	120	102	25	16	16	50	34	15	M5	84	5200	2400
B236120.0006	B236120.TM0601AE	134	120	102	25	16	16	50	34	8	M6	81	5200	2400
B236120.0009	B236120.TM0801AE	134	120	102	25	16	16	50	34	13	M8	80	5200	2400
B236132.0002	B236132.TM0501AE	148	132	116	25	16	16	50	34	15	M5	90	3700	2600
B236132.0005	B236132.TM0601AE	148	132	116	25	16	16	50	34	8	M6	88	3700	2600
B236132.0008	B236132.TM0801AE	148	132	116	25	16	16	50	34	13	M8	85	3700	2600
B236150.0002	B236150.TM0601AE	168	149,5	132	29	18	18	58	40	16	M6	123	5900	1900
B236150.0005	B236150.TM0801AE	168	149,5	132	29	18	18	58	40	13	M8	121	5900	1900
B236150.0008	B236150.TM1001AE	168	149,5	132	29	18	18	58	40	13	M10	119	5900	1900
B236179.0002	B236179.TM0801AE	197	179	161	29	18	18	58	40	13	M8	135	3800	3200
B236179.0006	B236179.TM1001AE	197	179	161	29	18	18	58	40	13	M10	133	3800	3200



B236BF

NEW



SOLID HANDLE MADE FROM ANTIBACTERIAL MATERIAL AND STAINLESS STEEL INSERT

INOX

Materials:

Special technopolymer reinforced with high-strength glass fibre, with inorganic silver ion additives which make the material antibacterial (ISO 22196:2011).

Resistant to oils and greases.

Surface finish:

Satin.

Colour:

Black (RAL 9011).

Inserts:

Stainless steel insert with female threaded hole (Aisi 303) (thread tolerance 6H).

Special requests:

- None.

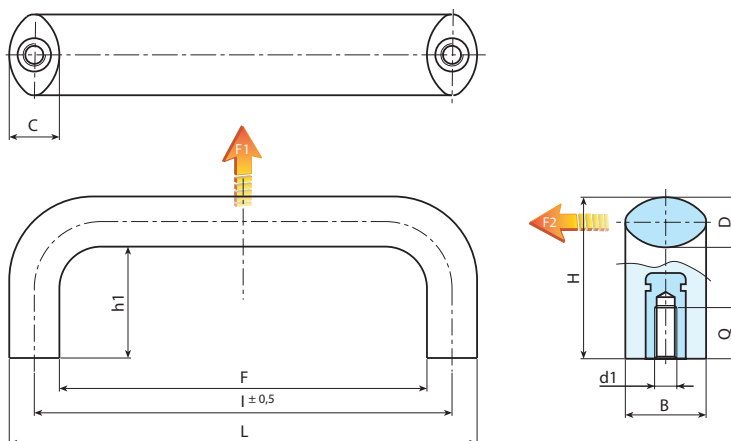
Notes:

The addition of a special antibacterial additive, based on inorganic silver ions, make these products naturally resistant to microbes, bacteria and fungi by preventing their formation and diffusion. The ions are released slowly, ensuring resistance over a long period even if subjected to frequent washing and sanitising. These ions remain intact at well over 200°C, and therefore suitable for resisting sterilization which normally occurs around 130°C. The material has been certified by credited laboratories and a declaration of conformity will be issued for every item delivered.

The proposed formulation complies with ISO 22196:2011 standard and in particular relates to the following strains:

- Escherichia Coli ATCC 25922
- Candida Albicans ATCC 10231
- Pseudomonas aeruginosa ATCC 13388
- Pseudomonas aeruginosa ATCC 15442
- Klebsiella pneumoniae ATCC 4352
- Staphylococcus aureus ATCC 6538

For all the tests the comparative reduction percentage ranges between 99.5% and 99.9%.



INOX

Code	art.	L	I	F	B	C	D	H	h1	Q	d1 ^{6H}	\bar{g}	F1 (N)	F2 (N)
B236117.0003	B236117.TM0501BF	134	117	102	25	16	16	50	34	8	M5	84	4400	1800
B236117.0007	B236117.TM0601BF	134	117	102	25	16	16	50	34	8	M6	81	4400	1800
B236117.0011	B236117.TM0801BF	134	117	102	25	16	16	50	34	13	M8	80	4400	1800
B236179.0003	B236179.TM0801BF	197	179	161	29	18	18	58	40	13	M8	135	3800	3200
B236179.0007	B236179.TM1001BF	197	179	161	29	18	18	58	40	13	M10	133	3800	3200



B328

+135°
-30°

PA6
+G.F.

UL94
HB

RoHS
COMPLIANT

CURVED SURFACE ADAPTOR FOR B324 "EUROMODEL" HANDLE WITH THROUGH HOLE

Materials:

Reinforced polyamide.
Resistant to oils and greases.

Surface finish:

Satin.

Colour:

Black (RAL 9011).

Hole:

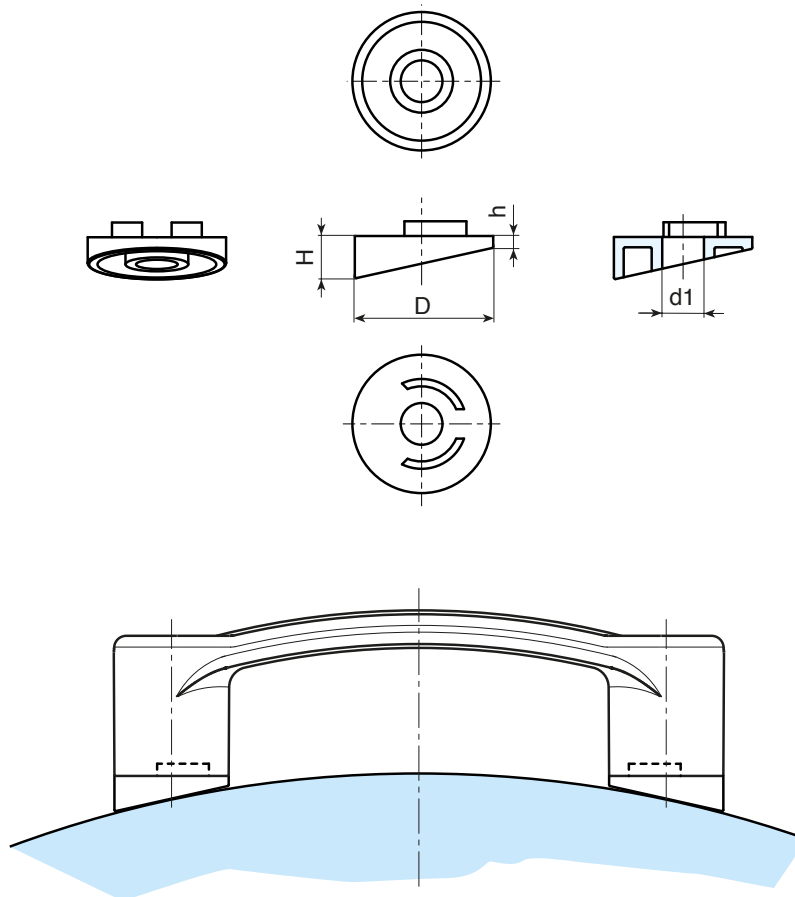
Smooth through hole obtained by moulding the plastic.

Special requests:

- Upon request and for special quantities available in the colours indicated in the chart [page 959].



02



Code	art.	D	H	h	d1	g
B328120.0001	B328120.TG08.501	28	9	3	6.5	3

B324

"EUROMODEL" HANDLE WITH THROUGH HOLE AND CAP



MODELLO DEPOSITATO

Materials:

Reinforced polyamide.
Resistant to oils and greases.

Surface finish:

Satin.

Colour:

Black (RAL 9011).

Standard cap:

Grey polyamide cap (RAL 7035 code 13).

Alternative cap colours:

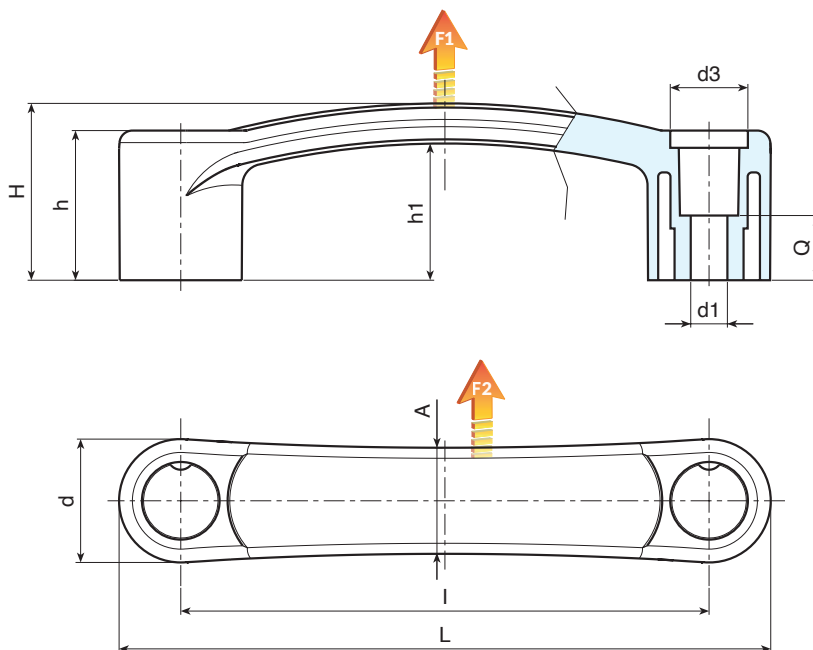
Orange (RAL 2004 code 02).
Blue (RAL 5015 code 07).
Yellow (RAL 1021 code 10).
Red (RAL 3000 code 16).
Green (RAL 6024 code 17).
Black (RAL 9011 code 01).

Hole:

Smooth through hole obtained by moulding the plastic.

Special requests:

- Upon request and for special quantities available in the colours indicated in the chart [page 959].



Code	art.	L	l	H	h	h1	A	d	d3	Q	d1	g	F1 (N)	F2 (N)
B324094.0003	B324094.TG06.50113	118	94	37	33	30	21	24	16	14	6.5	37	2500	2000
B324117.0006	B324117.TG06.50113	145	117	40.5	34	31.5	24	28	18	15	6.5	58	3700	3500
B324117.0016	B324117.TG08.50113	145	117	40.5	34	31.5	24	28	18	15	8.5	57	3700	3500
B324120.0002	B324120.TG06.50113	148	120	40.5	34	31.5	24	28	18	15	6.5	60	2900	3500
B324120.0011	B324120.TG08.50113	148	120	40.5	34	31.5	24	28	18	15	8.5	59	2900	3500
B324132.0004	B324132.TG08.50113	160	132	43	36.5	34	24	28	18	15	8.5	91	3200	3200

B324BF

NEW



“EUROMODEL” HANDLE MADE FROM ANTIBACTERIAL MATERIAL WITH THROUGH HOLE AND CAP

Materials:

Special technopolymer reinforced with high-strength glass fibre, with inorganic silver ion additives which make the material antibacterial (ISO 22196:2011).

Resistant to oils and greases.

Surface finish:

Satin.

Colour:

Black (RAL 9011).

Standard cap:

Black polyamide cap (RAL 9001 code 01).

Hole:

Smooth through hole obtained by moulding the plastic.

Special requests:

- None.

Notes:

The addition of a special antibacterial additive, based on inorganic silver ions, make these products naturally resistant to microbes, bacteria and fungi by preventing their formation and diffusion. The ions are released slowly, ensuring resistance over a long period even if subjected to frequent washing and sanitising. These ions remain intact at well over 200°C, and therefore suitable for resisting sterilization which normally occurs around 130°C. The material has been certified by credited laboratories and a declaration of conformity will be issued for every item delivered.

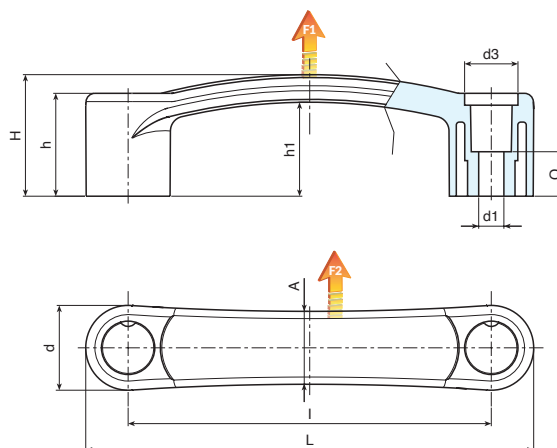
The proposed formulation complies with ISO 22196:2011 standard and in particular relates to the following strains:

- Escherichia Coli ATCC 25922
- Candida Albicans ATCC 10231
- Pseudomonas aeruginosa ATCC 13388
- Pseudomonas aeruginosa ATCC 15442
- Klebsiella pneumoniae ATCC 4352
- Staphylococcus aureus ATCC 6538

For all the tests the comparative reduction percentage ranges between 99.5% and 99.9%.



02



Code	art.	L	l	H	h	h1	A	d	d3	Q	d1	g	F1 (N)	F2 (N)
B324094.0007	B324094.TG06.501BF	118	94	37	33	30	21	24	16	14	6.5	37	2500	2000
B324117.0009	B324117.TG06.501BF	145	117	40.5	34	31.5	24	28	18	15	6.5	58	3700	3500
B324117.0020	B324117.TG08.501BF	145	117	40.5	34	31.5	24	28	18	15	8.5	57	3700	3500
B324132.0006	B324132.TG08.501BF	160	132	43	36.5	34	24	28	18	15	8.5	91	3200	3200



B326

"EUROMODEL" HANDLE WITH THREADED INSERT AND CAP

+135°
-30°

PA6
+G.F.

UL94
HB

RoHS
COMPLIANT

MODELLO
DEPOSITATO

Materials:

Reinforced polyamide.
Resistant to oils and greases.

Surface finish:

Satin.

Colour:

Black (RAL 9011).

Standard cap:

Grey polyamide cap (RAL 7035 code 13).

Alternative cap colours:

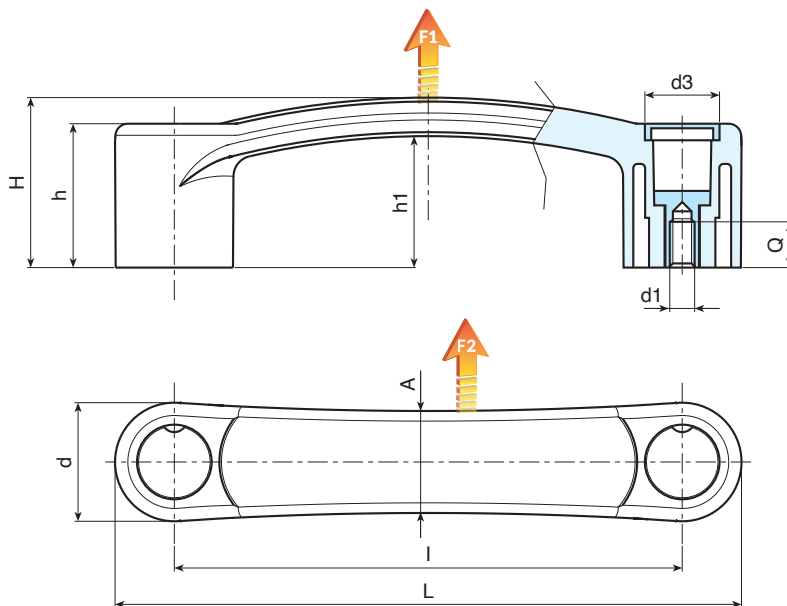
Orange (RAL 2004 code 02).
Blue (RAL 5015 code 07).
Yellow (RAL 1021 code 10).
Red (RAL 3000 code 16).
Green (RAL 6024 code 17).
Black (RAL 9011 code 01).

Inserts:

Brass insert with female threaded hole (thread tolerance 6H).

Special requests:

- Upon request and for special quantities available in the colours indicated in the chart [page 959].



Code	art.	L	l	H	h	h1	A	d	d3	Q	d1 _{6H}	g	F1 (N)	F2 (N)
B326094.0003	B326094.TM050113	118	94	37	33	30	21	24	16	12	M5	42	2000	2000
B326094.0008	B326094.TM060113	118	94	37	33	30	21	24	16	12	M6	43	2000	2000
B326117.0001	B326117.TM050113	145	117	40.5	34	31.5	24	28	18	12	M5	68	3400	2900
B326117.0006	B326117.TM060113	145	117	40.5	34	31.5	24	28	18	12	M6	67	3400	2900
B326117.0012	B326117.TM080113	145	117	40.5	34	31.5	24	28	18	12	M8	65	3400	2900
B326120.0001	B326120.TM050113	148	120	40.5	34	31.5	24	28	18	12	M5	70	3500	1700
B326120.0004	B326120.TM060113	148	120	40.5	34	31.5	24	28	18	12	M6	69	3500	1700
B326120.0006	B326120.TM080113	148	120	40.5	34	31.5	24	28	18	12	M8	67	3500	1700
B326132.0003	B326132.TM080113	160	132	43	36.5	34	24	28	18	12	M8	77	3500	2900

B331

UPDATE

+135°
-30°

PA6
+G.F.

UL94
HB

RoHS
COMPLIANT

BRACKET FOR HANDLE WITH TUBE

Materials:

Reinforced polyamide.
Resistant to oils and greases.

Surface finish:

Satin.

Colour:

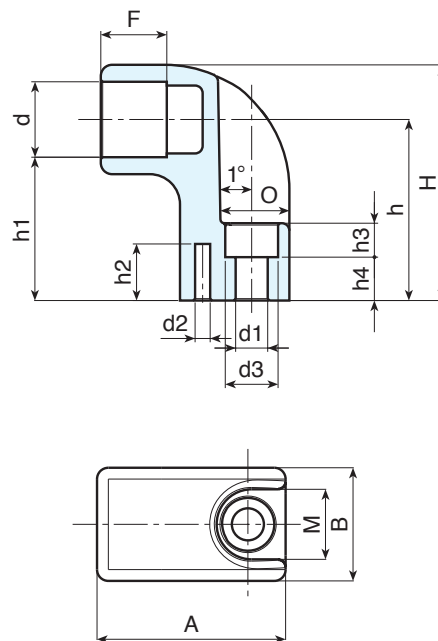
Black (RAL 9011).

Hole:

Smooth through hole obtained by moulding the plastic.

Special Requests:

- Upon request screw/hole caps are available.
- Upon request and for special quantities available in the colours indicated in the chart [page 959].



Code	art.	d	d1	d3	d2	A	B	H	h	h1	h4	h3	h2	M	O	F	g
B321.TG2001	B321.TG2001	20	8.5	14.5	4	50	30	57	43	33	7	12.5	15	18.5	18	17	47
B321.TG3001	B321.TG3001	30	10,5	16	4	60	40	77	58	43	12	15	19	23	22	21	92

B320

HANDLE WITH TUBE D.20



Materials:

Plastic end:

Reinforced polyamide. Resistant to oils and greases.

Tube:

Aluminum alloy 6060.

Surface finish:

Plastic end:

Satin.

Tube:

Smooth.

Colour:

Plastic end:

Black (Ral 9011).

Tube:

Version B320-99: Anodised silver.

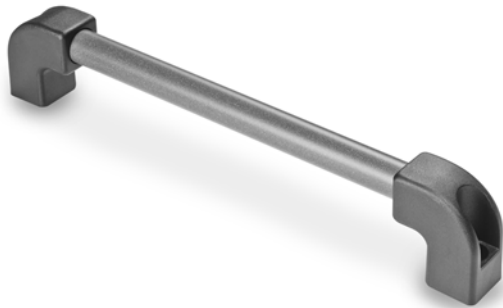
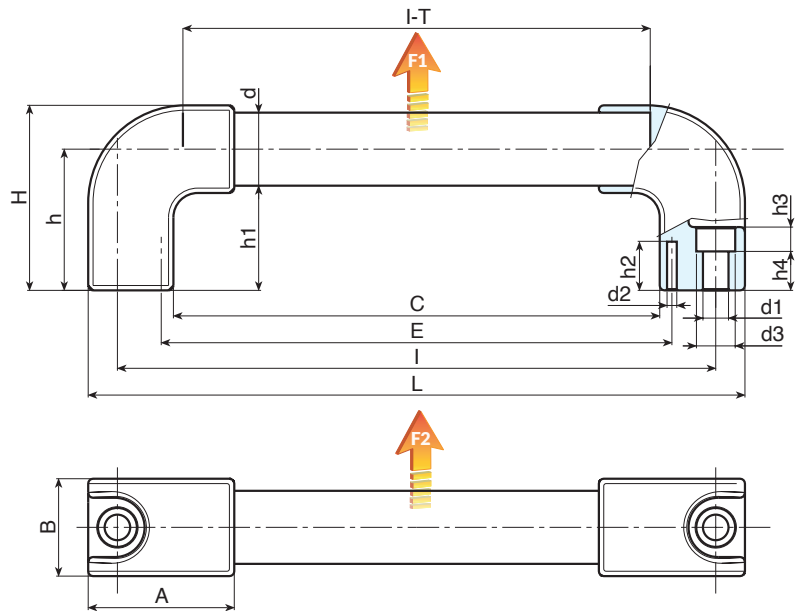
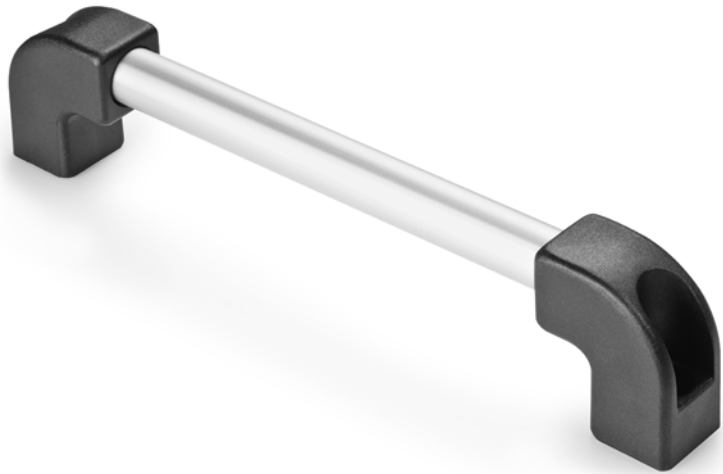
Version B320-98: Marbled black epoxy powder coating.

Hole:

Smooth through hole obtained by moulding the plastic.

Special requests:

- Upon request and for special quantities the handle can be supplied with custom length.
- Upon request screw caps are available.
- Upon request and for special quantities available in the colours indicated in the chart [page 959].



Version B320-99: tube colour anodised silver

Code	art.	L	I	C	E	A	B	T	H	h	h1	h4	h3	h2	d	d3	d2	d1	ρ	F1 (kN)	F2 (kN)
B320200.0002	B320200.TG2099	220	200	162	174	50	30	45	57	43	33	7	12.5	15	20	14.5	4	8.5	130	2,4	1,85
B320250.0002	B320250.TG2099	270	250	212	224	50	30	45	57	43	33	7	12.5	15	20	14.5	4	8.5	145	1,8	1,45
B320300.0002	B320300.TG2099	320	300	262	274	50	30	45	57	43	33	7	12.5	15	20	14.5	4	8.5	155	1,5	1,5
B320350.0002	B320350.TG2099	370	350	312	324	50	30	45	57	43	33	7	12.5	15	20	14.5	4	8.5	165	1,5	1,25
B320400.0002	B320400.TG2099	420	400	362	374	50	30	45	57	43	33	7	12.5	15	20	14.5	4	8.5	176	1,4	0,85
B320500.0002	B320500.TG2099	520	500	462	474	50	30	45	57	43	33	7	12.5	15	20	14.5	4	8.5	200	1	0,8
B320600.0002	B320600.TG2099	620	600	562	574	50	30	45	57	43	33	7	12.5	15	20	14.5	4	8.5	225	0,9	0,75
B320700.0002	B320700.TG2099	720	700	662	674	50	30	45	57	43	33	7	12.5	15	20	14.5	4	8.5	250	0,6	0,6

Version B320-98: tube colour marbled black.

Code	art.	L	I	C	E	A	B	T	H	h	h1	h4	h3	h2	d	d3	d2	d1	ρ	F1 (kN)	F2 (kN)
B320200.0001	B320200.TG2098	220	200	162	174	50	30	45	57	43	33	7	12.5	15	20	14.5	4	8.5	130	2,4	1,85
B320250.0001	B320250.TG2098	270	250	212	224	50	30	45	57	43	33	7	12.5	15	20	14.5	4	8.5	145	1,8	1,45
B320300.0001	B320300.TG2098	320	300	262	274	50	30	45	57	43	33	7	12.5	15	20	14.5	4	8.5	155	1,5	1,5
B320350.0001	B320350.TG2098	370	350	312	324	50	30	45	57	43	33	7	12.5	15	20	14.5	4	8.5	165	1,5	1,25
B320400.0001	B320400.TG2098	420	400	362	374	50	30	45	57	43	33	7	12.5	15	20	14.5	4	8.5	176	1,4	0,85
B320500.0001	B320500.TG2098	520	500	462	474	50	30	45	57	43	33	7	12.5	15	20	14.5	4	8.5	200	1	0,8
B320600.0001	B320600.TG2098	620	600	562	574	50	30	45	57	43	33	7	12.5	15	20	14.5	4	8.5	225	0,9	0,75
B320700.0001	B320700.TG2098	720	700	662	674	50	30	45	57	43	33	7	12.5	15	20	14.5	4	8.5	250	0,6	0,6

B330

HANDLE WITH TUBE D.30



Materials:

Plastic end:

Reinforced polyamide. Resistant to oils and greases.

Tube:

Aluminum alloy 6060.

Surface finish:

Plastic end:

Satin.

Tube:

Smooth.

Colour:

Plastic end:

Black (Ral 9011).

Tube:

Version B330-99: Anodised silver.

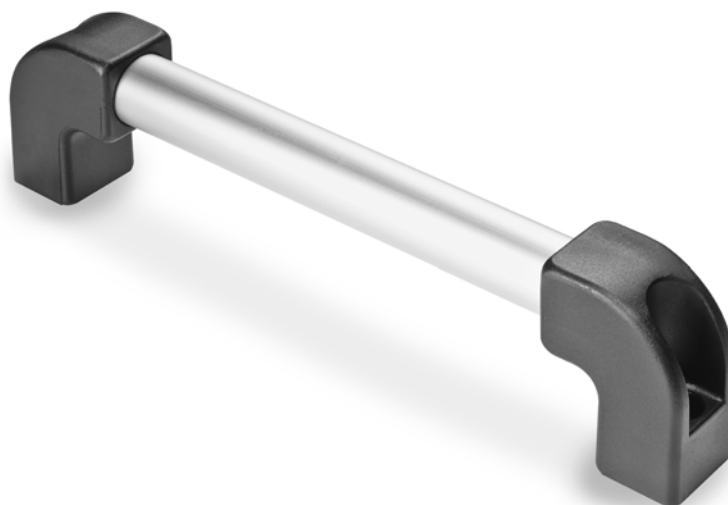
Version B330-98: Marbled black epoxy powder coating.

Hole:

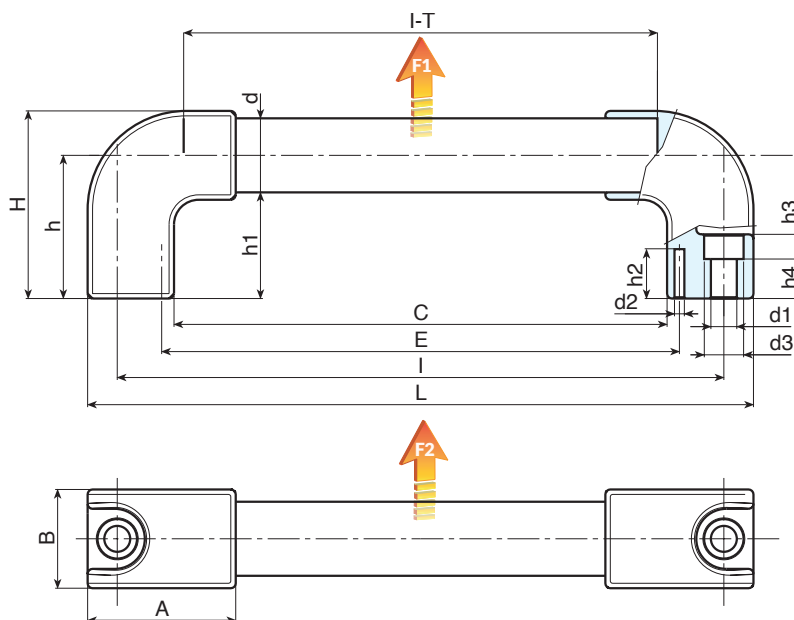
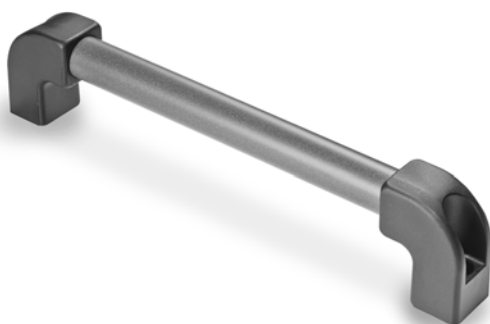
Smooth through hole obtained by moulding the plastic.

Special requests:

- Upon request and for special quantities the handle can be supplied with custom length.
- Upon request screw caps are available.
- Upon request and for special quantities available in the colours indicated in the chart [page 959].



02



Version B330-99: with tube colour anodised silver

Code	art.	L	I	C	E	A	B	T	H	h	h1	h4	h3	h2	d	d3	d2	d1	g	F1 (kN)	F2 (kN)
B330200.0003	B330200.TG3099	224	200	154	164	60	40	54	77	58	43	12	15	19	30	16	4	10.5	235	3,4	2,9
B330250.0003	B330250.TG3099	274	250	204	214	60	40	54	77	58	43	12	15	19	30	16	4	10.5	250	3,8	3,2
B330300.0003	B330300.TG3099	324	300	254	264	60	40	54	77	58	43	12	15	19	30	16	4	10.5	270	3,2	2,9
B330350.0003	B330350.TG3099	374	350	304	314	60	40	54	77	58	43	12	15	19	30	16	4	10.5	285	2,7	2,4
B330400.0004	B330400.TG3099	424	400	354	364	60	40	54	77	58	43	12	15	19	30	16	4	10.5	305	2,4	2,2
B330500.0003	B330500.TG3099	524	500	454	464	60	40	54	77	58	43	12	15	19	30	16	4	10.5	340	1,9	1,7
B330600.0003	B330600.TG3099	624	600	554	564	60	40	54	77	58	43	12	15	19	30	16	4	10.5	370	1,6	1,4
B330700.0003	B330700.TG3099	724	700	654	664	60	40	54	77	58	43	12	15	19	30	16	4	10.5	405	1,4	1,25

Version B330-98: with tube colour marbled black.

Code	art.	L	I	C	E	A	B	T	H	h	h1	h4	h3	h2	d	d3	d2	d1	g	F1 (kN)	F2 (kN)
B330200.0002	B330200.TG3098	224	200	154	164	60	40	54	77	58	43	12	15	19	30	16	4	10.5	235	3,4	2,9
B330250.0002	B330250.TG3098	274	250	204	214	60	40	54	77	58	43	12	15	19	30	16	4	10.5	250	3,8	3,2
B330300.0002	B330300.TG3098	324	300	254	264	60	40	54	77	58	43	12	15	19	30	16	4	10.5	270	3,2	2,9
B330350.0002	B330350.TG3098	374	350	304	314	60	40	54	77	58	43	12	15	19	30	16	4	10.5	285	2,7	2,4
B330400.0003	B330400.TG3098	424	400	354	364	60	40	54	77	58	43	12	15	19	30	16	4	10.5	305	2,4	2,2
B330500.0002	B330500.TG3098	524	500	454	464	60	40	54	77	58	43	12	15	19	30	16	4	10.5	340	1,9	1,7
B330600.0002	B330600.TG3098	624	600	554	564	60	40	54	77	58	43	12	15	19	30	16	4	10.5	370	1,6	1,4
B330700.0002	B330700.TG3098	724	700	654	664	60	40	54	77	58	43	12	15	19	30	16	4	10.5	405	1,4	1,25



B330CIN

HANDLE WITH STAINLESS STEEL TUBE D. 30



INOX

Materials:

Plastic end:

Reinforced polyamide. Resistant to oils and greases.

Tube:

Stainless steel (Aisi 304).

Surface finish:

Plastic end:

Satin.

Tube:

Natural Smooth.

Colour:

Plastic end:

Black (Ral 9011).

Tube:

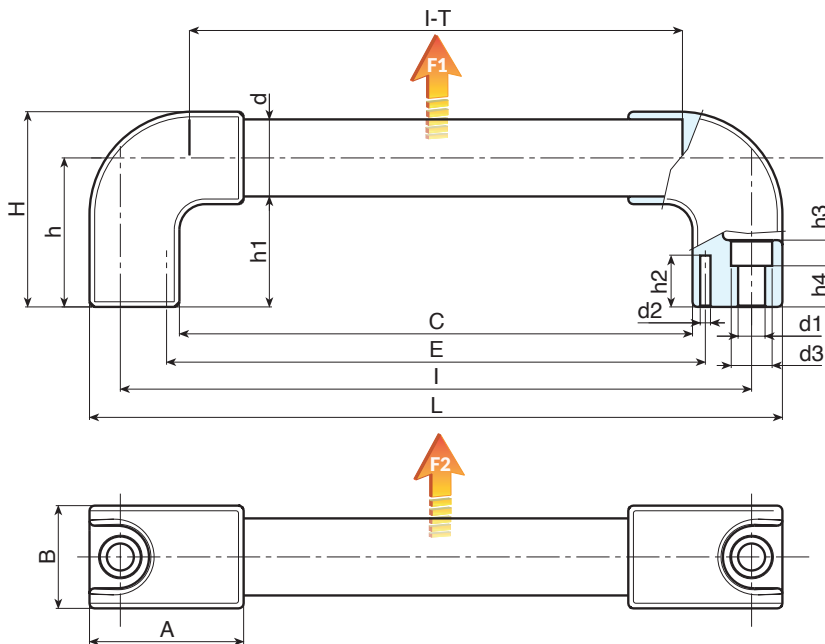
Natural.

Hole:

Smooth through hole obtained by moulding the plastic.

Special requests:

- Upon request and for special quantities the handle can be supplied with custom length.
- Upon request screw caps are available.
- Upon request and for special quantities available in the colours indicated in the chart [page 959].



INOX

Code	art.	L	I	C	E	A	B	T	H	h	h1	h4	h3	h2	d	d3	d2	d1	9	F1 (kN)	F2 (kN)
B330200.0001	B330200.TG3001CIN	224	200	154	164	60	40	54	77	58	43	16	11	19	30	16	4	10.5	235	3,4	2,9
B330250.0001	B330250.TG3001CIN	274	250	204	214	60	40	54	77	58	43	16	11	19	30	16	4	10.5	250	3,8	3,2
B330300.0001	B330300.TG3001CIN	324	300	254	264	60	40	54	77	58	43	16	11	19	30	16	4	10.5	270	3,2	2,9
B330350.0001	B330350.TG3001CIN	374	350	304	314	60	40	54	77	58	43	16	11	19	30	16	4	10.5	285	2,7	2,4
B330400.0001	B330400.TG3001CIN	424	400	354	364	60	40	54	77	58	43	16	11	19	30	16	4	10.5	305	2,4	2,2
B330500.0001	B330500.TG3001CIN	524	500	454	464	60	40	54	77	58	43	16	11	19	30	16	4	10.5	340	1,9	1,7
B330600.0001	B330600.TG3001CIN	624	600	554	564	60	40	54	77	58	43	16	11	19	30	16	4	10.5	370	1,6	1,4
B330700.0001	B330700.TG3001CIN	724	700	654	664	60	40	54	77	58	43	16	11	19	30	16	4	10.5	405	1,4	1,25



B350CIN



HANDLE WITH STAINLESS STEEL TUBE D. 30 AND VERTICAL ENDS

INOX

Materials:

- (1) Reinforced polyamide bracket for tube. Resistant to oils and greases.
- (2) Stainless steel tube (Aisi 304).
- (3) Turned round aluminium insert with threaded hole M08 for fastening hexagonal socket head cap screws.
- (4) Stainless steel hexagonal socket head cap screw Aisi 304 M08x70 (DIN 912).
- (5) Winged snap-fit LDPE cap for tubes.

Surface finish:

- (1-5) Satin.
- (2) Glossy natural.

Colour:

- (1-5) Black (RAL 9011).
- (2) Natural steel.

ATTENTION:

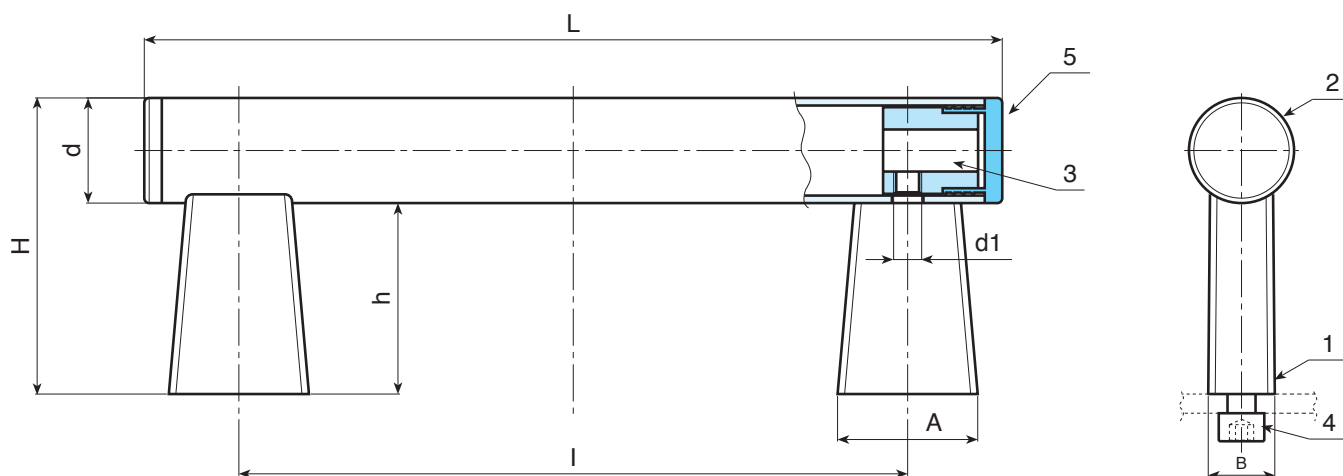
The handle is supplied disassembled, in single packs.

Special requests:

- None.



02



INOX

Code	art.	L	I	D	H	h	A	B	d1	g
B350150.0003	B350150.TG3001CIN	206	150	30	85	55	40	19	M8	395
B350200.0003	B350200.TG3001CIN	256	200	30	85	55	40	19	M8	447
B350250.0003	B350250.TG3001CIN	306	250	30	85	55	40	19	M8	500
B350300.0003	B350300.TG3001CIN	356	300	30	85	55	40	19	M8	550
B350350.0003	B350350.TG3001CIN	406	350	30	85	55	40	19	M8	602
B350400.0003	B350400.TG3001CIN	456	400	30	85	55	40	19	M8	654
B350500.0003	B350500.TG3001CIN	556	500	30	85	55	40	19	M8	756
B350600.0003	B350600.TG3001CIN	656	600	30	85	55	40	19	M8	862
B350700.0003	B350700.TG3001CIN	756	700	30	85	55	40	19	M8	966



B350

HANDLE WITH TUBE D. 30 AND VERTICAL ENDS



Materials:

- (1) Reinforced polyamide bracket for tube. Resistant to oils and greases.
- (2) Anodised aluminium alloy 6060 tube.
- (3) Turned round aluminium insert with threaded hole M8 for fastening hexagonal socket head cap screws.
- (4) Black oxide treated hexagonal socket head cap screw M08x70 (DIN 912).
- (5) Winged snap-fit LDPE cap for tubes.

Surface finish:

- (1-5) Satin.
- (2) Glossy anodised.

Colour:

- (1-5) Black (RAL 9011).

Tube:

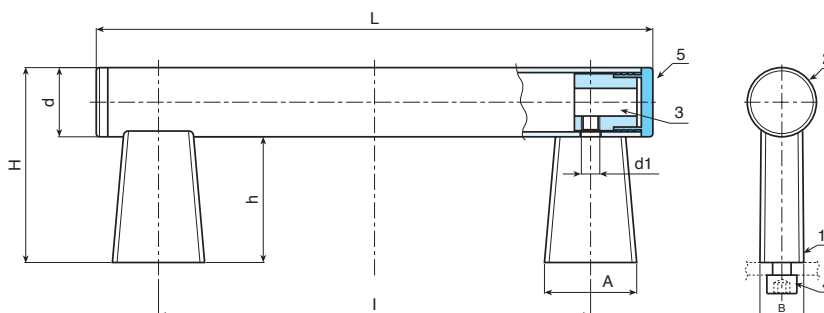
- Version B350-99: (2) Silver anodised.
Version B350-98: (2) Marbled black epoxy powder coating.

ATTENTION:

The handle is supplied disassembled, in single packs.

Special requests:

- None.



Version B350-99: with tube colour anodised silver

Code	art.	L	l	D	H	h	A	B	d1	g
B350150.0002	B350150.TG300199	206	150	30	85	55	40	19	M8	270
B350200.0002	B350200.TG300199	256	200	30	85	55	40	19	M8	290
B350250.0002	B350250.TG300199	306	250	30	85	55	40	19	M8	309
B350300.0002	B350300.TG300199	356	300	30	85	55	40	19	M8	327
B350350.0002	B350350.TG300199	406	350	30	85	55	40	19	M8	345
B350400.0002	B350400.TG300199	456	400	30	85	55	40	19	M8	363
B350500.0002	B350500.TG300199	556	500	30	85	55	40	19	M8	400
B350600.0002	B350600.TG300199	656	600	30	85	55	40	19	M8	436
B350700.0002	B350700.TG300199	756	700	30	85	55	40	19	M8	473

Version B350-98: with tube colour marbled black

Code	art.	L	l	D	H	h	A	B	d1	g
B350150.0001	B350150.TG300198	206	150	30	85	55	40	19	M8	270
B350200.0001	B350200.TG300198	256	200	30	85	55	40	19	M8	290
B350250.0001	B350250.TG300198	306	250	30	85	55	40	19	M8	309
B350300.0001	B350300.TG300198	356	300	30	85	55	40	19	M8	327
B350350.0001	B350350.TG300198	406	350	30	85	55	40	19	M8	345
B350400.0001	B350400.TG300198	456	400	30	85	55	40	19	M8	363
B350500.0001	B350500.TG300198	556	500	30	85	55	40	19	M8	400
B350600.0001	B350600.TG300198	656	600	30	85	55	40	19	M8	436
B350700.0001	B350700.TG300198	756	700	30	85	55	40	19	M8	473

B340

HANDLE WITH CURVED LATERAL TUBE D. 20



Materials:

Plastic end:

Reinforced polyamide. Resistant to oils and greases.

Tube:

Aluminum alloy 6060.

Surface finishes:

Plastic end:

Satin.

Tube:

Smooth.

Colour:

Plastic end:

Black (Ral 9011).

Tube:

Epoxy powder coating.

Version B340-97: Silver (Ral 9007 code 97).

Version B340-98: Marbled black (code 98).

Hole:

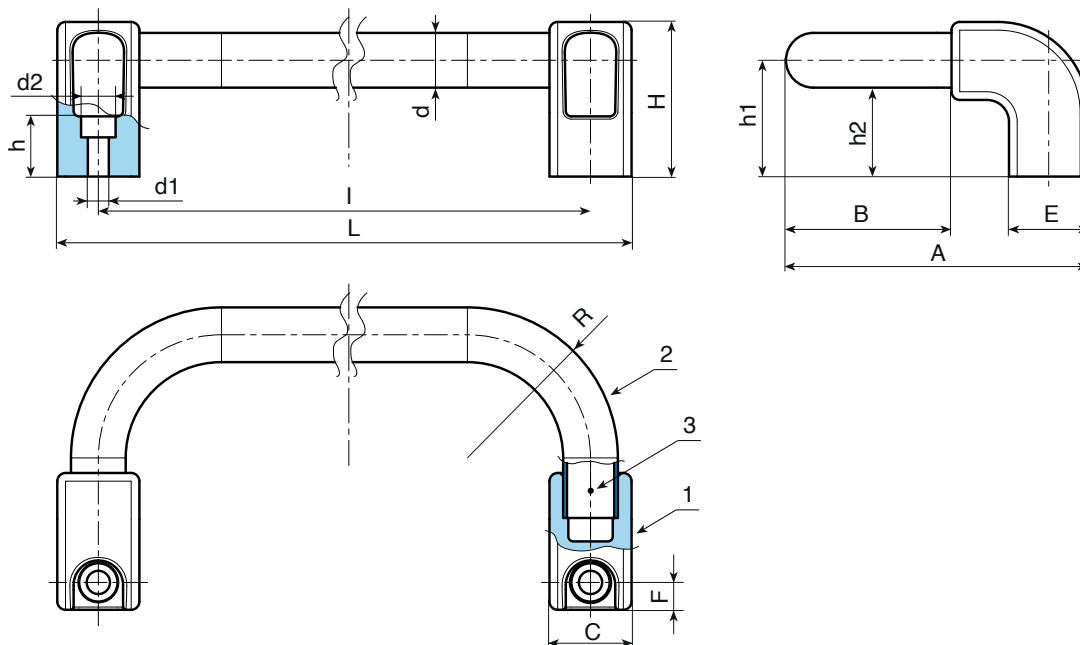
Smooth through hole obtained by moulding the plastic.

Fixing method:

The tube is fixed to the plastic ends by means of a spring pin (3) in harmonic steel d.6x27, inserted in the lower part of the end.

Special requests:

- Upon request and for special quantities the handle can be supplied with custom length.
- Upon request screw caps are available.
- Upon request and for special quantities available in the colours indicated in the chart [page 959].



B340 - Black marbled painted version code 98

Code	art.	L	l	d	d2	A	B	C	E	F	H	h	h1	h2	R	d1	
B340200.0002	B340200.TG200198	230	200	20	14.5	110.5	60.5	30	29	10	57	19.5	42.5	32.5	55	8.5	158
B340300.0002	B340300.TG200198	330	300	20	14.5	110.5	60.5	30	29	10	57	19.5	42.5	32.5	55	8.5	183
B340500.0002	B340500.TG200198	530	500	20	14.5	110.5	60.5	30	29	10	57	19.5	42.5	32.5	55	8.5	226

B340 - Silver painted version code 97

Code	art.	l	L	d	d2	A	B	C	E	F	H	h	h1	h2	R	d1	
B340200.0001	B340200.TG200197	200	230	20	14.5	110.5	60.5	30	29	10	57	19.5	42.5	32.5	55	8.5	158
B340300.0001	B340300.TG200197	300	330	20	14.5	110.5	60.5	30	29	10	57	19.5	42.5	32.5	55	8.5	183
B340500.0001	B340500.TG200197	500	530	20	14.5	110.5	60.5	30	29	10	57	19.5	42.5	32.5	55	8.5	226



B400

ALUMINUM OVAL HANDLE



Materials:

Handle in aluminium alloy 6060.

Surface finish:

Sandblasted satin finish.

Colour:

Version B400-01:

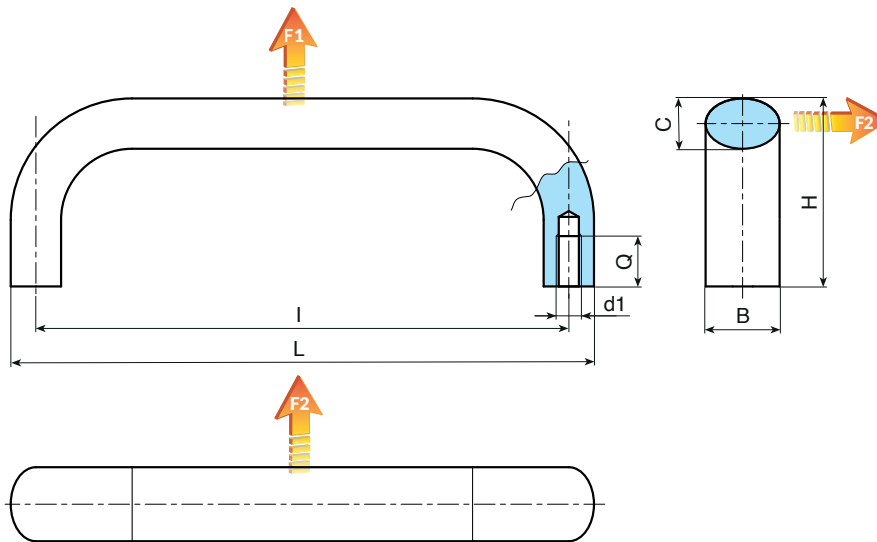
Black epoxy powder coating.

Version B400-99:

Natural anodised silver.

Special requests:

- None.



B400 - Black coated version - code 01

Code	art.	L	I	H	B	C	Q	d1	g	F1	F2
B400100.0001	B400100.A20M0601	113	100	50	20	13	12	M6	89	1000	1000
B400120.0001	B400120.A20M0601	133	120	50	20	13	12	M6	98	1000	1000
B400128.0001	B400128.A20M0601	141	128	50	20	13	12	M6	105	1000	1000
B400160.0001	B400160.A20M0601	173	160	50	20	13	12	M6	122	1000	1000
B400112.0001	B400112.A26M0801	129	112	55	26	17	14	M8	167	1000	1000
B400120.0003	B400120.A26M0801	137	120	55	26	17	14	M8	174	1000	1000
B400128.0003	B400128.A26M0801	145	128	55	26	17	14	M8	182	1000	1000
B400160.0003	B400160.A26M0801	177	160	55	26	17	14	M8	208	1000	1000
B400180.0001	B400180.A26M0801	197	180	55	26	17	14	M8	232	1000	1000
B400192.0001	B400192.A26M0801	209	192	55	26	17	14	M8	243	1000	1000

B400 - Natural silver version - code 99

Code	art.	L	I	H	B	C	Q	d1	g	F1	F2
B400100.0002	B400100.A20M0699	113	100	50	20	13	12	M6	89	1000	1000
B400120.0002	B400120.A20M0699	133	120	50	20	13	12	M6	98	1000	1000
B400128.0002	B400128.A20M0699	141	128	50	20	13	12	M6	105	1000	1000
B400160.0002	B400160.A20M0699	173	160	50	20	13	12	M6	122	1000	1000
B400112.0002	B400112.A26M0899	129	112	55	26	17	14	M8	167	1000	1000
B400120.0004	B400120.A26M0899	137	120	55	26	17	14	M8	174	1000	1000
B400128.0004	B400128.A26M0899	145	128	55	26	17	14	M8	182	1000	1000
B400160.0004	B400160.A26M0899	177	160	55	26	17	14	M8	208	1000	1000
B400180.0002	B400180.A26M0899	197	180	55	26	17	14	M8	232	1000	1000
B400192.0002	B400192.A26M0899	209	192	55	26	17	14	M8	243	1000	1000

B405

ALUMINUM FLAT LARGE OVAL HANDLE



Materials:

Handle in aluminium alloy 6060.

Surface finish:

Sandblasted satin finish.

Colour:

Version B405-01:

Anodized black.

Version B405-99:

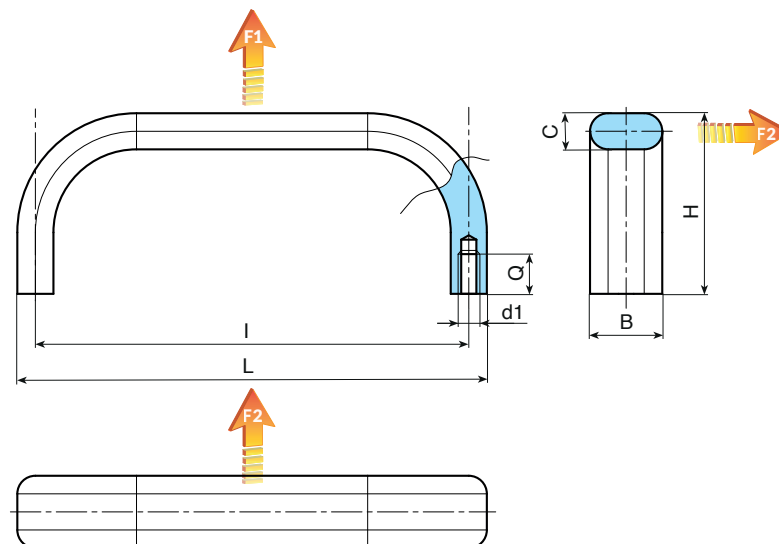
Natural anodised silver.

Special requests:

- None.



02



B405 - Black anodised version - code 01

Code	art.	L	I	H	B	C	Q	d1	g	F1 (N)	F2 (N)
B405120.0001	B405120.A20M0501	130	120	45	20	10	10	M5	85	500	500
B405180.0001	B405180.A20M0501	190	180	45	20	10	10	M5	100	500	500
B405200.0001	B405200.A20M0501	210	200	45	20	10	10	M5	120	500	500
B405350.0001	B405350.A20M0601	360	350	45	20	10	12	M6	190	500	500

B405 - Natural silver version - code 99

Code	art.	L	I	H	B	C	Q	d1	g	F1 (N)	F2 (N)
B405120.0002	B405120.A20M0599	130	120	45	20	10	10	M5	85	500	500
B405180.0002	B405180.A20M0599	190	180	45	20	10	10	M5	100	500	500
B405200.0002	B405200.A20M0599	210	200	45	20	10	10	M5	120	500	500
B405350.0002	B405350.A20M0699	360	350	45	20	10	12	M6	190	500	500

B408

ALUMINUM NARROW FLAT OVAL HANDLE



Materials:

Handle in aluminium alloy 6060.

Surface finish:

Sandblasted satin finish.

Colour:

B408-01

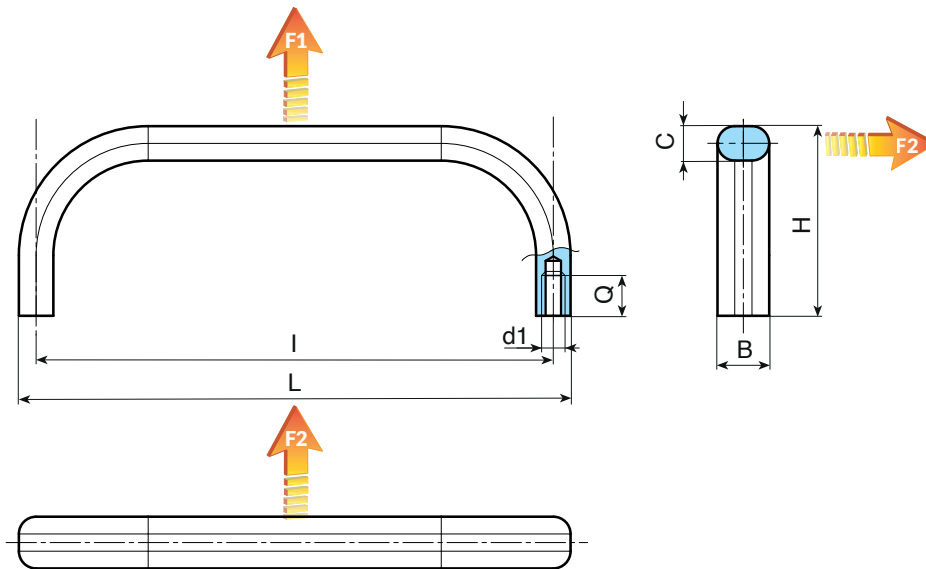
Anodized black.

B408-99

Natural anodised silver.

Special requests:

- None.



B408 - Black anodised version - code 01

Code	art.	L	I	H	B	C	Q	d1	g	F1 (N)	F2 (N)
B408055.0001	B408055.A12M0501	63	55	40	12	8	10	M5	24	500	500
B408088.0001	B408088.A12M0501	96	88	40	12	8	10	M5	30	500	500
B408100.0001	B408100.A12M0501	108	100	40	12	8	10	M5	32	500	500
B408120.0001	B408120.A12M0501	128	120	40	12	8	10	M5	37	500	500
B408180.0001	B408180.A12M0501	188	180	40	12	8	10	M5	50	500	500
B408200.0001	B408200.A12M0501	208	200	40	12	8	10	M5	55	500	500
B408235.0001	B408235.A12M0501	243	235	40	12	8	10	M5	64	500	500
B408250.0001	B408250.A12M0501	258	250	40	12	8	10	M5	68	500	500

B408 - Natural silver anodised version - code 99

Code	art.	L	I	H	B	C	Q	d1	g	F1 (N)	F2 (N)
B408055.0002	B408055.A12M0599	63	55	40	12	8	10	M5	24	500	500
B408088.0002	B408088.A12M0599	96	88	40	12	8	10	M5	30	500	500
B408100.0002	B408100.A12M0599	108	100	40	12	8	10	M5	32	500	500
B408120.0002	B408120.A12M0599	128	120	40	12	8	10	M5	37	500	500
B408180.0002	B408180.A12M0599	188	180	40	12	8	10	M5	50	500	500
B408200.0002	B408200.A12M0599	208	200	40	12	8	10	M5	55	500	500
B408235.0002	B408235.A12M0599	243	235	40	12	8	10	M5	64	500	500
B408250.0002	B408250.A12M0599	258	250	40	12	8	10	M5	68	500	500

B410

ALUMINUM ROUND HANDLE



Materials:

Handle in aluminium alloy 6060.

Surface finish:

Sandblasted satin finish.

Colour:

B410-01

Anodized black.

B410-99

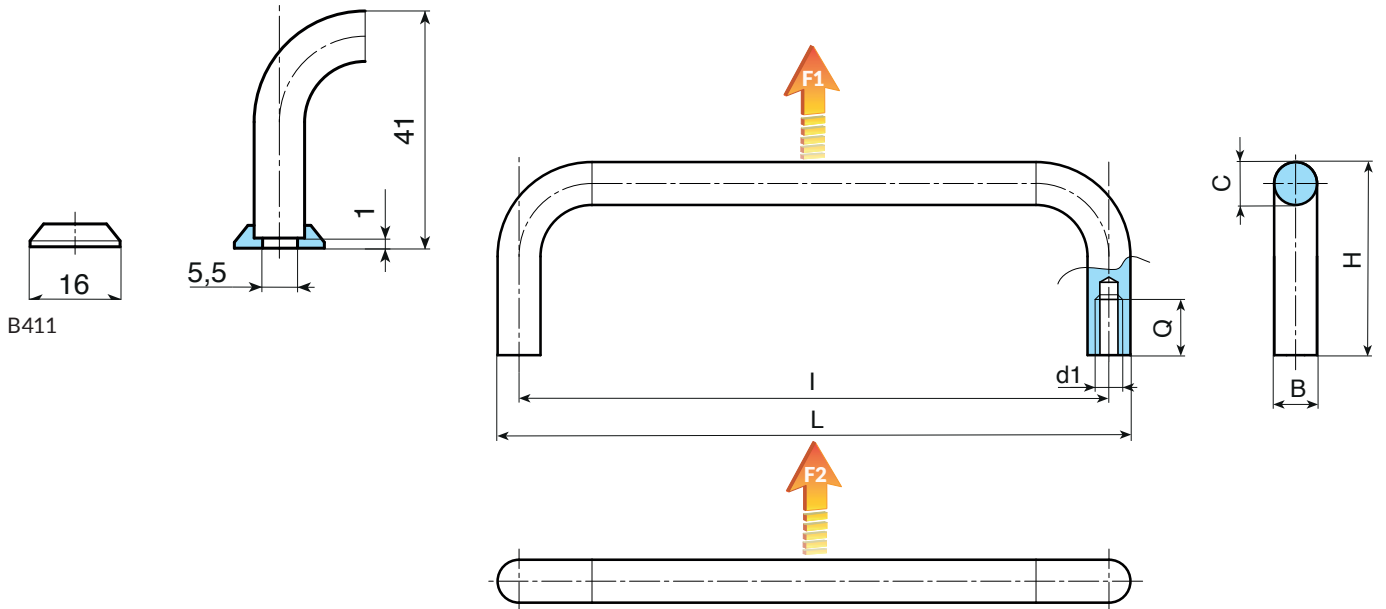
Natural anodised silver.

Special requests:

- Cylindrical aluminum base on request. Supplied disassembled.
- B411.A1601 colour black.
- B411.A1699 colour silver.



02



B410 - Black anodised version - code 01

Code	art.	L	I	H	B/C	Q	d1	g	F1 (N)	F2 (N)
B410055.0001	B410055.A10M0501	65	55	40	10	9	M5	22	500	500
B410088.0001	B410088.A10M0501	98	88	40	10	9	M5	28	500	500
B410100.0001	B410100.A10M0501	110	100	40	10	9	M5	31	500	500
B410120.0001	B410120.A10M0501	130	120	40	10	9	M5	36	500	500
B410180.0001	B410180.A10M0501	190	180	40	10	9	M5	48	500	500
B410200.0001	B410200.A10M0501	210	200	40	10	9	M5	52	500	500
B410235.0001	B410235.A10M0501	245	235	40	10	9	M5	62	500	500
B410250.0001	B410250.A10M0501	260	250	40	10	9	M5	66	500	500

B410 - Silver anodised version - code 99

Code	art.	L	I	H	B/C	Q	d1	g	F1 (N)	F2 (N)
B410055.0002	B410055.A10M0599	65	55	40	10	9	M5	22	500	500
B410088.0002	B410088.A10M0599	98	88	40	10	9	M5	28	500	500
B410100.0002	B410100.A10M0599	110	100	40	10	9	M5	31	500	500
B410120.0002	B410120.A10M0599	130	120	40	10	9	M5	36	500	500
B410180.0002	B410180.A10M0599	190	180	40	10	9	M5	48	500	500
B410200.0002	B410200.A10M0599	210	200	40	10	9	M5	52	500	500
B410235.0002	B410235.A10M0599	245	235	40	10	9	M5	62	500	500
B410250.0002	B410250.A10M0599	260	250	40	10	9	M5	66	500	500

B412

CHROME-PLATED STEEL ROUND HANDLE

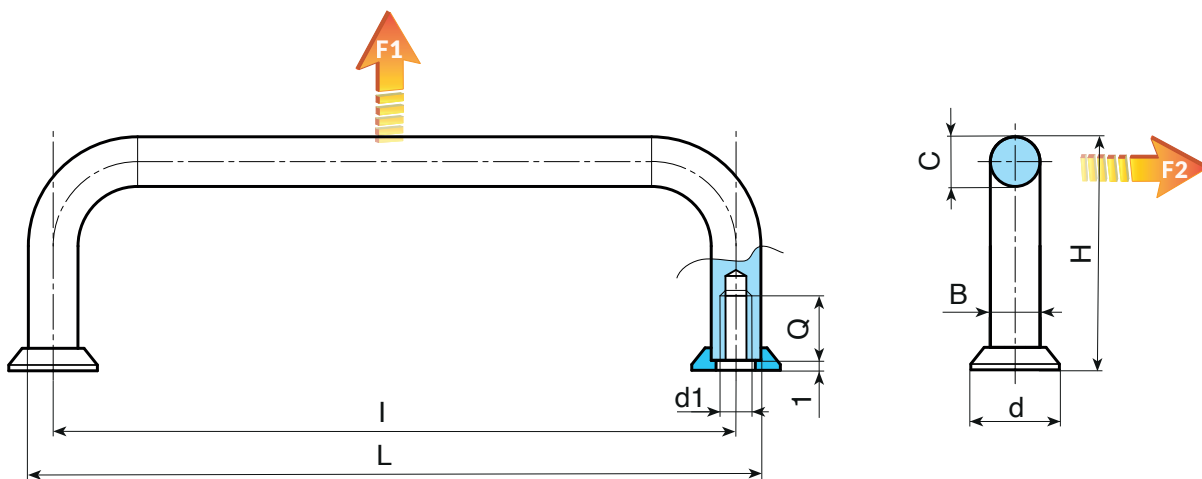


Materials:
Free-cutting steel handle.

Surface finish:
Fine mirror polishing.

Colour:
Glossy chrome plating.

Special requests:
• None.



Code	art.	L	I	H	B/C	d	Q	d1	g	F1 (N)	F2 (N)
B412032.0001	B412032.R05M03	37	32	21	5	8	6	M3	8	1000	1000
B412042.0001	B412042.R05M03	47	42	25	5	8	6	M3	10	1000	1000
B412055.0001	B412055.R05M03	60	55	25	5	8	6	M3	13	1000	1000
B412076.0001	B412076.R05M03	81	76	25	5	8	6	M3	15	1000	1000
B412088.0001	B412088.R05M03	93	88	25	5	8	6	M3	18	1000	1000
B412032.0002	B412032.R08M04	40	32	33	8	12.5	8	M4	28	1000	1000
B412055.0002	B412055.R08M04	63	55	33	8	12.5	8	M4	38	1000	1000
B412064.0001	B412064.R08M04	72	64	33	8	12.5	8	M4	41	1000	1000
B412088.0002	B412088.R08M04	96	88	33	8	12.5	8	M4	50	1000	1000
B412096.0001	B412096.R08M04	104	96	33	8	12.5	8	M4	56	1000	1000
B412098.0001	B412098.R08M04	106	98	33	8	12.5	8	M4	57	1000	1000
B412102.0001	B412102.R08M04	110	102	33	8	12.5	8	M4	58	1000	1000
B412120.0001	B412120.R08M04	128	120	33	8	12.5	8	M4	65	1000	1000
B412128.0001	B412128.R08M04	136	128	33	8	12.5	8	M4	68	1000	1000
B412136.0001	B412136.R08M04	144	136	33	8	12.5	8	M4	71	1000	1000
B412055.0003	B412055.R10M05	65	55	41	10	15	10	M5	67	1000	1000
B412088.0003	B412088.R10M05	98	88	41	10	15	10	M5	87	1000	1000
B412100.0001	B412100.R10M05	110	100	41	10	15	10	M5	94	1000	1000
B412102.0002	B412102.R10M05	112	102	41	10	15	10	M5	95	1000	1000
B412115.0001	B412115.R10M05	125	115	41	10	15	10	M5	103	1000	1000
B412120.0002	B412120.R10M05	130	120	41	10	15	10	M5	105	1000	1000
B412136.0002	B412136.R10M05	146	136	41	10	15	10	M5	112	1000	1000
B412180.0001	B412180.R10M05	190	180	41	10	15	10	M5	142	1000	1000
B412200.0001	B412200.R10M05	210	200	41	10	15	10	M5	154	1000	1000
B412235.0001	B412235.R10M05	245	235	41	10	15	10	M5	175	1000	1000
B412250.0001	B412250.R10M05	260	250	41	10	15	10	M5	184	1000	1000

B413GIN

STAINLESS STEEL ROUND HANDLE (with screw and washer)



Materials:

Stainless steel handle (Aisi 316).

Surface finish:

Smooth.

Colour:

Natural.

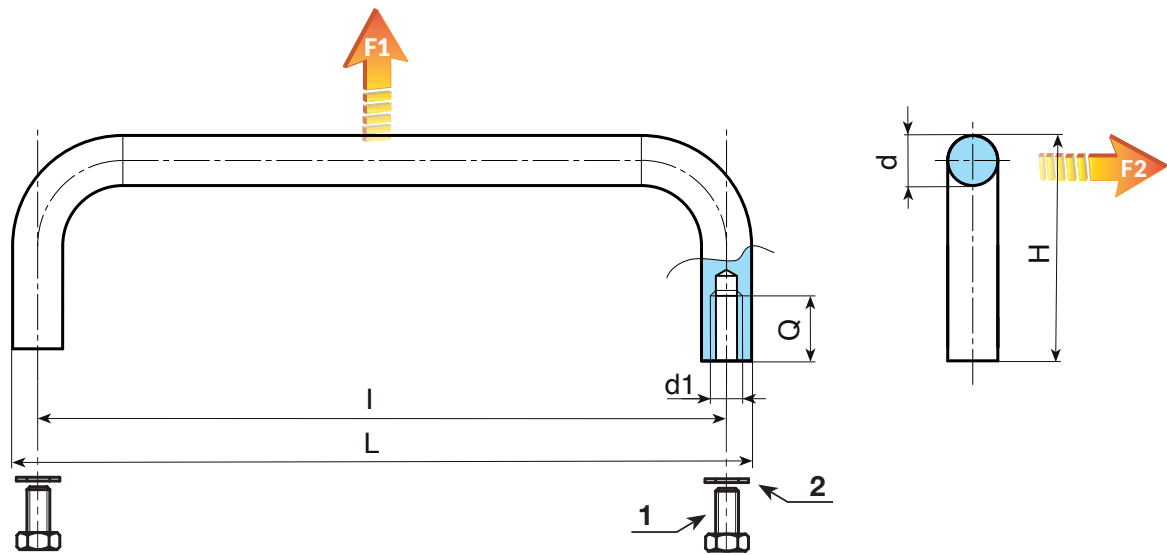
Inserts:

(1) Threaded screw M5x10 in stainless steel (Aisi 316).

(2) Stainless steel washer (Aisi 316).

Special requests:

- None.



Code	art.	L	l	H	d	Q	d1	\varnothing	F1 (N)	F2 (N)
B413100.0001	B413100.G08M05GIN	108	100	35	8	10	M5	-	1000	1000
B413120.0001	B413120.G10M05GIN	130	120	40	10	10	M5	116	1000	1000
B413250.0001	B413250.G10M05GIN	260	250	40	10	10	M5	200	1000	1000
B413350.0001	B413350.G10M05GIN	360	350	40	10	10	M5	263	1000	1000



IT'S INEVITABLE: QUALITY BECOMES A REFERENCE POINT.

