

14

KNURLED ALUMINIUM CONTROL KNOB WITH NUMBERS

Metalline Pomelli

Materials:

Aluminium (alloy AL 6060).

Surface finish:

Turned with low roughness.

Colour:

Anodized black.

Cap:

Central cap in grey polyamide (RAL 7035 code 13).

Grub screw:

Stainless steel 304 grub screw M05x6 with cup point DIN 916.

Hole:

Smooth through hole, remachined with H7 tolerance.

Graduations and numbers:

Graduations and numbers engraved on the smooth part of the knob.

Natural aluminium colour.

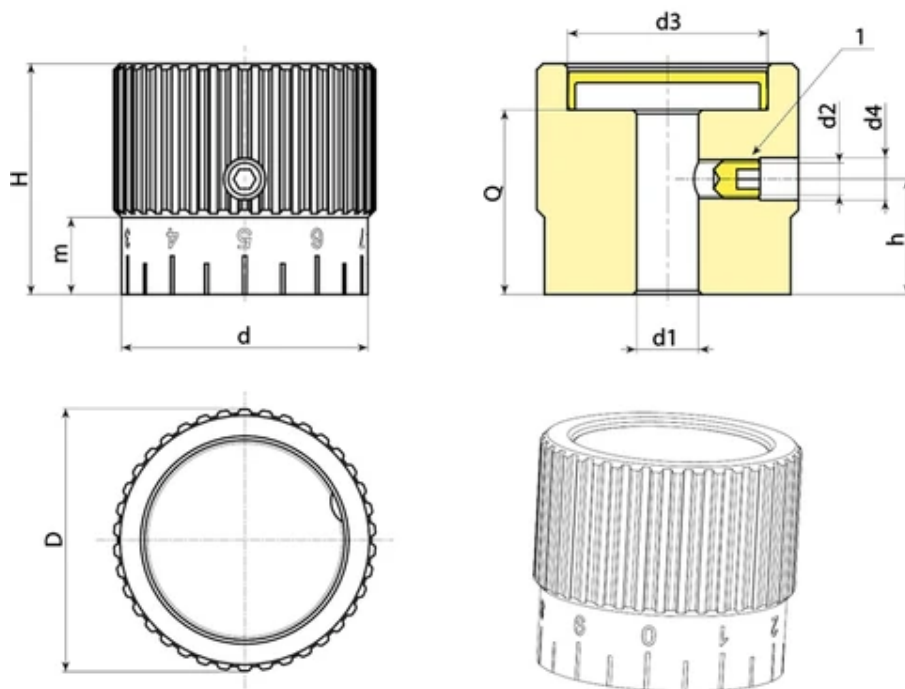
Z1= Scale 0-10 with 20 graduations.

Z2= Scale 0-20 with 20 graduations.

Special Requests:

Upon request and for special quantities control knobs can be supplied to customer's drawing with hole diameter d1.





| Code | Art. | D | d | H | m | h | d2 | d3 | d4 | d1 H7 | Q | Weight (g) |
|-------------|-----------------|----|----|----|----|----|----|----|-----|-------|----|------------|
| W99534.0004 | W99534.AD0813Z1 | 34 | 32 | 30 | 10 | 15 | M5 | 26 | 5.5 | 8 | 24 | 100 |

Attention: For a minimum of 50 pieces the diameter d1 can be customised (hole tolerance H7).