

# P705



PA6  
+G.F.

SBS

RoHS  
COMPLIANT

## 16 TEARDROP MOUNTING FOOT WITH GROUND FIXING AND STEEL ARTICULATED STEM TYPE B - BALL 12.4 AND NON-SLIP BASE

Piedi plastica con fissaggio laterale-stelo snodato+antiscivolo

### Materials:

Reinforced polyamide.  
Resistant to oils and greases.

### Surface finish:

Satin.

### Colour:

Black (RAL 9011).

### Inserts:

P705:  
Galvanised steel threaded and articulated stem (ball 12.5) with milled seat for wrench (type B) (thread tolerance 6g).

P705CIN:  
Stainless steel threaded and articulated stem (ball 12.5) with milled seat for wrench (type B) (Aisi 303) (thread tolerance 6g).

### Non-slip base:

Non-slip base in thermoplastic rubber SBS 75 Shore, black RAL 9011.  
Resistant to oils and greases. Push-fit assembly.

### Ground fixing:

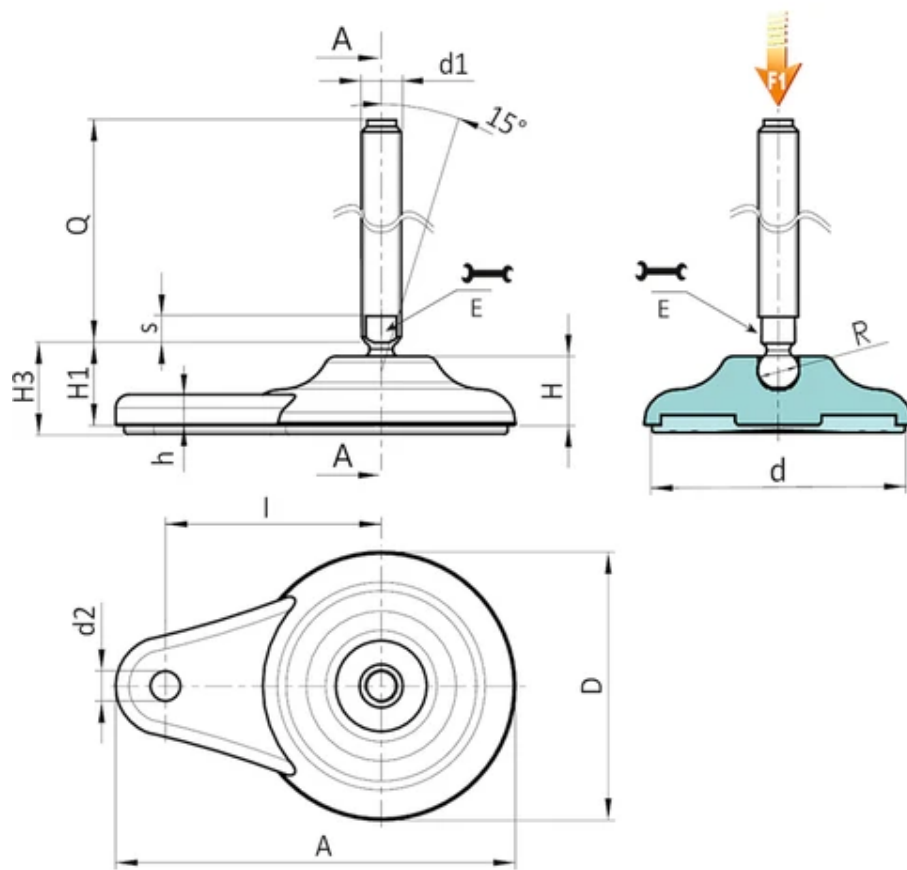
Through hole obtained by moulding the plastic.

### Special requests:

Upon request and for special quantities inserts can be supplied with customised lengths.

Upon request and for special quantities the foot can be supplied in Orange (RAL 2004).





**Version P705: Teardrop mounting foot with ground fixing - stem type B (with milled seat for wrench) and ball 12.5 - with SBS non-slip base**

Code	Art.	D	H	I	H1	H3	h	A	E	s	d2	d	R	d16g	Q	Weight (g)	F1 (kN)
P705080.0001	P705080.TM16X7001	80	20	65	26	29	9	120	13	7	9	70	12.4	M16	70	179	10
P705080.0002	P705080.TM16X9001	80	20	65	26	29	9	120	13	7	9	70	12.4	M16	90	205	10
P705080.0003	P705080.TM16X11001	80	20	65	26	29	9	120	13	7	9	70	12.4	M16	110	231	10
P705080.0005	P705080.TM16X13001	80	20	65	26	29	9	120	13	7	9	70	12.4	M16	130	257	10
P705080.0007	P705080.TM16X15001	80	20	65	26	29	9	120	13	7	9	70	12.4	M16	150	283	10
P705080.0009	P705080.TM16X17001	80	20	65	26	29	9	120	13	7	9	70	12.4	M16	170	309	10

Attention: The expressed load limit F1 is lower than the break load by 30% and is intended as static.  
Customised stud length available for a minimum of 100 pieces.

**Version P705CIN: Teardrop mounting foot with ground fixing - stem type B - stainless steel - (with milled seat for wrench) and ball 12.5 - with SBS non-slip base**

Code	Art.	D	H	I	H1	H3	h	A	E	s	d2	d	R	d16g	Q	Weight (g)	F1 (kN)
P705080.0004	P705080.TM16X11001CIN	80	20	65	26	29	9	120	13	7	9	70	12.4	M16	110	231	10
P705080.0006	P705080.TM16X13001CIN	80	20	65	26	29	9	120	13	7	9	70	12.4	M16	130	257	10
P705080.0008	P705080.TM16X15001CIN	80	20	65	26	29	9	120	13	7	9	70	12.4	M16	150	283	10
P705080.0010	P705080.TM16X17001CIN	80	20	65	26	29	9	120	13	7	9	70	12.4	M16	170	309	10

Attention: The expressed load limit F1 is lower than the break load by 30% and is intended as static.  
Customised stud length available for a minimum of 100 pieces.