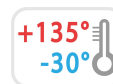


O402



15

FLAT HINGE WITH LOWERED PIVOT PIN AND THROUGH HOLES

Cerniere in plastica con fori passanti

The O402 hinge has been expressly designed to be used on aluminum profiles used for the construction of barriers or modular structures.

Materials:

Reinforced polyamide.

Resistant to oils and greases.

Surface finish:

Satin.

Colour:

Black (RAL 9011).

Inserts:

Galvanised steel pin.

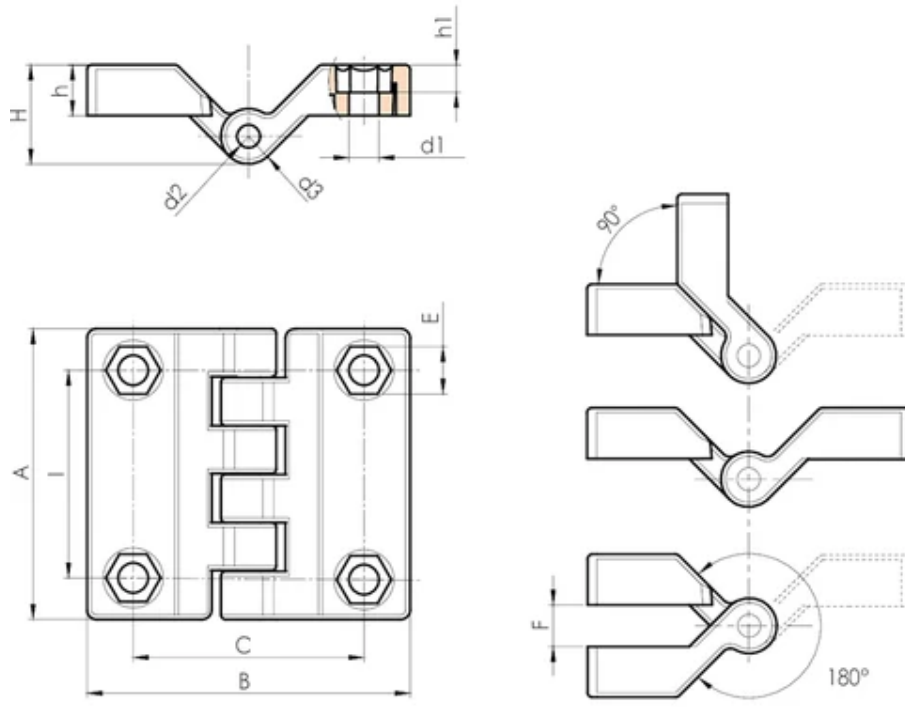
Hole:

Through hole obtained by moulding the plastic. Hole for hex head screw UNI 5727.

Special Requests:

Upon request and for special quantities available in the colours indicated in the chart.





Code	art.	I	C	A	B	E	F	h	h1	H	d2	d3	d1	Weight (g)
O402045.0001	O402045.TG06.501	45	50	63	70	10	9	11	6	21.5	5	12	6.5	45