

03

## SOLID CONTROL HANDWHEEL WITH REVOLVING HANDLE M202

Volantini con manico girevole

### Materials:

Reinforced and stabilized polyamide.

Resistant to oils and greases.

### Surface finish:

Satin.

### Colour:

Black (RAL 9011).

### Central cap:

Grey polyamide (RAL 7035). 13).

### Alternative cap colours:

Orange (RAL 2004 code 02).

Blue (RAL 5015 code 07).

Yellow (RAL 1021 code 10).

Red (RAL 3000 code 16).

Green (RAL 6024 code 17).

Black (RAL 9011 code 01).

### Main insert:

Galvanised steel insert with smooth through bore (tolerance H10).

### Lateral insert:

Brass insert with threaded through hole.

### Lateral handle:

Revolving handle art. M202.

### Fixing method:

For fixing systems, or execution of keyways or square holes, please refer to the technical notes attached to the catalogue.

### Special requests:

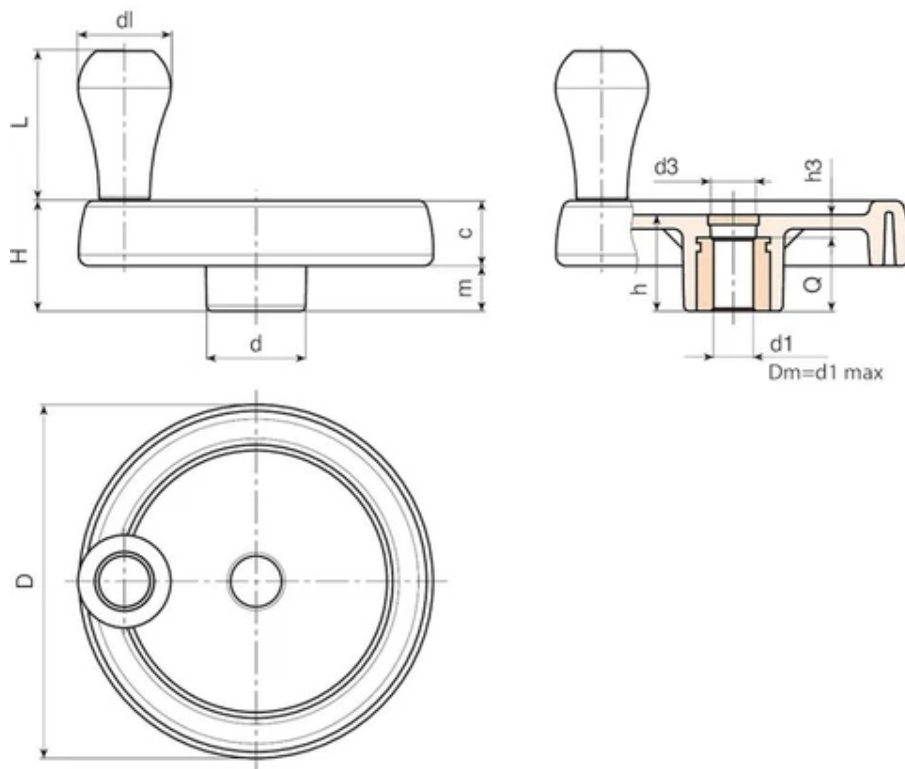
On request and with a minimum of 50 pieces, the inserts can be supplied with the hole d1 with H7 tolerance and black-oxide finish.

Upon request and for special quantities inserts can be supplied with custom hole diameter d1.

Upon request and for special quantities inserts can be supplied in different materials/with different coatings.

Upon request and for special quantities handwheels, handles and caps are available in the colours indicated in the chart (attention: reduced range).





Code	Art.	D	H	h	d	m	c	d3	h3	dl	L	Dm	d1 H10	Q	Weight (g)
C195150.0001	C195150.TD0801P	150	54	44	38	25	29	26	12	40	64	22	8	32	610
C195175.0001	C195175.TD0801P	173	57	47	40	25.5	31.5	26	15	40	64	22	8	32	750
C195200.0001	C195200.TD0801P	204	61	49.5	45	26	35	27	13	40	64	28	8	36	960
C195250.0001	C195250.TD0801P	251	66,5	56,5	60	27,5	39	36	20,5	40	64	28	8	36	1490

Attention: For a minimum of 50 pieces the diameter d1 can be customised (hole tolerance H10 galvanised and H7 black-oxide treated).  
Dm = Maximum obtainable diameter for subsequent machining (widening).