

# T436



## NEODYMIUM CYLINDRICAL MAGNET WITH GALVANISED STEEL SHELL WITH FEMALE THREADED HOLE

### Materials:

- (1) Turned free-cutting steel shell with female threaded hole (thread tolerance 6H).
- (2) Cylindrical neodymium-iron-boron magnet (NdFeB).
- (3) Plastic spacer.

### Surface finish:

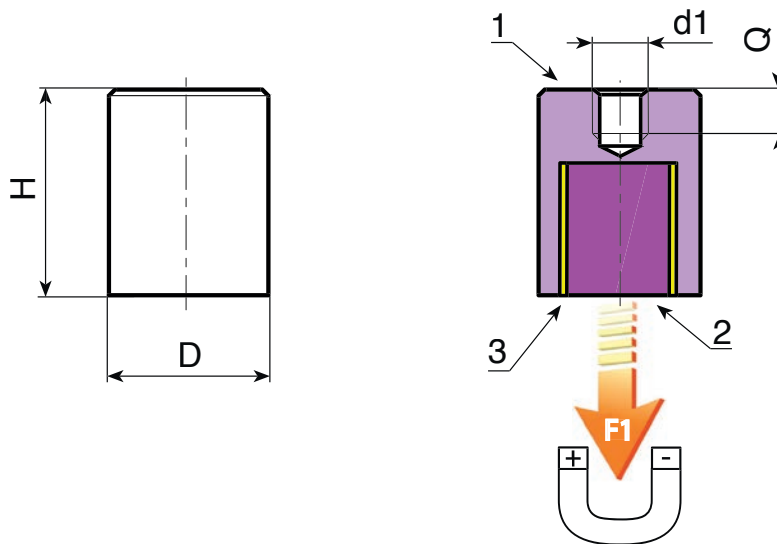
Smooth.

### Colour:

Standard blue galvanising.

### Special requests:

- None.



Code	art.	D ±0,1	H ±0,2	d16H	Q	g	F1 (N)
T436006.0001	T436006.VZM03	06	20	M3	6	4	6
T436008.0001	T436008.VZM03	08	20	M3	5	7,5	12
T436010.0001	T436010.VZM04	10	20	M4	7	11	24
T436013.0001	T436013.VZM04	13	20	M4	7	20	60
T436016.0001	T436016.VZM04	16	20	M4	7	30	90
T436020.0001	T436020.VZM06	20	25	M6	9	58	135
T436025.0001	T436025.VZM06	25	35	M6	9	131	190
T436032.0001	T436032.VZM08	32	40	M8	12	243	340
T436040.0001	T436040.VZM08	40	50	M8	12	480	700
T436050.0001	T436050.VZM10	50	60	M10	12	900	1.000
T436063.0001	T436063.VZM12	63	65	M12	14	1.560	1.700