

A593CIN



KLEMMHEBEL VERSTELLBAR AUS ZAMAK MIT AUSSENGEWINDE AUS EDELSTAHL

INOX

Material:

Griffhebel aus Zamakdruckguss (Legierung aus Zink, Aluminium und Kupfer).

Oberfläche:

Glatt. Epoxydpuilverbeschichtet.

Farbe Griffhebel:

Schwarz glänzend (RAL 9011 Code 01).
 Schwarz matt (RAL 9005 cod. 20).
 Orange (RAL 2004 Code 02).
 Rot (RAL 3000 Code 16).
 Silber (RAL 9006 cod. 83).
 Grau (RAL 7031 cod. 80).
 Blau (RAL 5015 Code 07).
 Unbeschichteter Hebel (Code GRE).

Einsatz:

Gewindebolzen aus Edelstahl (AISI 303)
 (Gewindetoleranz 6g).

Befestigungsschraube:

Sechskantschraube aus Edelstahl (AISI 304).

Feder:

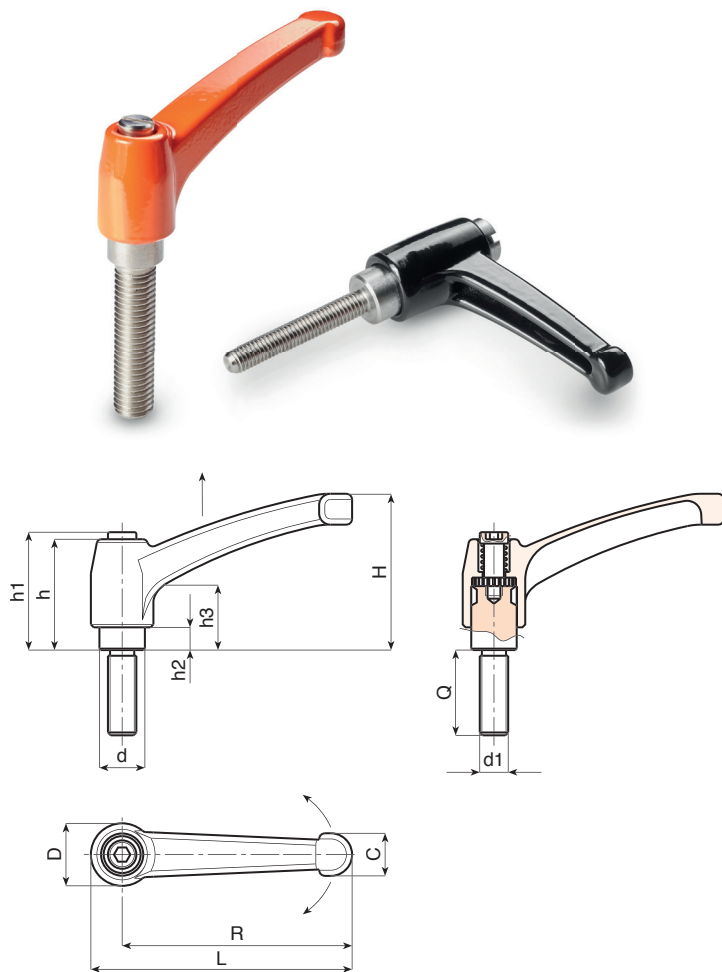
Feder aus Edelstahl (AISI 302).

Weitere Möglichkeiten:

- Auf Anfrage und ab einer Mindestbestellmenge von 50 Stück können die Buchsen in Sonderlängen geliefert werden.

Achtung:

Bei gewünschten Längen größer als bei LM angegeben, wird der Gewindebolzen (verzinkte Ausführung) mit dem Klemmhebel fest verklebt.



INOX

Ausführung 01: Schwarz glänzend (Ral 9011)

| Code | Art. | L | R | H | D | d | c | h | h1 | h2 | h3 | LM | d1 _{6g} | Q | |
|--------------|----------------------|-----|----|----|----|----|------|----|----|------|----|----|------------------|----|-----|
| A593043.0017 | A593043.ZM05X1601CIN | 50 | 43 | 30 | 14 | 10 | 9 | 26 | 30 | 5 | 14 | 50 | M5 | 16 | 31 |
| A593043.0023 | A593043.ZM05X2001CIN | 50 | 43 | 30 | 14 | 10 | 9 | 26 | 30 | 5 | 14 | 50 | M5 | 20 | 32 |
| A593043.0033 | A593043.ZM05X3001CIN | 50 | 43 | 30 | 14 | 10 | 9 | 26 | 30 | 5 | 14 | 50 | M5 | 30 | 34 |
| A593043.0043 | A593043.ZM06X1601CIN | 50 | 43 | 30 | 14 | 10 | 9 | 26 | 30 | 5 | 14 | 50 | M6 | 16 | 31 |
| A593043.0051 | A593043.ZM06X2001CIN | 50 | 43 | 30 | 14 | 10 | 9 | 26 | 30 | 5 | 14 | 50 | M6 | 20 | 32 |
| A593043.0064 | A593043.ZM06X3001CIN | 50 | 43 | 30 | 14 | 10 | 9 | 26 | 30 | 5 | 14 | 50 | M6 | 30 | 34 |
| A593043.0090 | A593043.ZM08X2501CIN | 50 | 43 | 30 | 14 | 10 | 9 | 26 | 30 | 5 | 14 | 60 | M8 | 25 | 39 |
| A593065.0034 | A593065.ZM08X1601CIN | 75 | 65 | 45 | 19 | 14 | 13 | 32 | 34 | 7 | 14 | 60 | M8 | 16 | 82 |
| A593065.0044 | A593065.ZM08X2001CIN | 75 | 65 | 45 | 19 | 14 | 13 | 32 | 34 | 7 | 14 | 60 | M8 | 20 | 83 |
| A593065.0058 | A593065.ZM08X3001CIN | 75 | 65 | 45 | 19 | 14 | 13 | 32 | 34 | 7 | 14 | 60 | M8 | 30 | 86 |
| A593065.0073 | A593065.ZM08X4001CIN | 75 | 65 | 45 | 19 | 14 | 13 | 32 | 34 | 7 | 14 | 60 | M8 | 40 | 89 |
| A593065.0115 | A593065.ZM10X3001CIN | 75 | 65 | 45 | 19 | 14 | 13 | 32 | 34 | 7 | 14 | 60 | M10 | 30 | 94 |
| A593065.0126 | A593065.ZM10X4001CIN | 75 | 65 | 45 | 19 | 14 | 13 | 32 | 34 | 7 | 14 | 60 | M10 | 40 | 99 |
| A593080.0036 | A593080.ZM10X2001CIN | 91 | 80 | 57 | 22 | 16 | 16 | 40 | 42 | 8 | 16 | 60 | M10 | 20 | 146 |
| A593080.0054 | A593080.ZM10X3001CIN | 91 | 80 | 57 | 22 | 16 | 16 | 40 | 42 | 8 | 16 | 60 | M10 | 30 | 151 |
| A593080.0067 | A593080.ZM10X4001CIN | 91 | 80 | 57 | 22 | 16 | 16 | 40 | 42 | 8 | 16 | 60 | M10 | 40 | 156 |
| A593080.0108 | A593080.ZM12X2001CIN | 91 | 80 | 57 | 22 | 16 | 16 | 40 | 42 | 8 | 16 | 60 | M12 | 20 | 150 |
| A593080.0117 | A593080.ZM12X3001CIN | 91 | 80 | 57 | 22 | 16 | 16 | 40 | 42 | 8 | 16 | 60 | M12 | 30 | 157 |
| A593080.0134 | A593080.ZM12X5001CIN | 91 | 80 | 57 | 22 | 16 | 16 | 40 | 42 | 8 | 16 | 60 | M12 | 50 | 171 |
| A593094.0009 | A593094.ZM12X2001CIN | 107 | 94 | 65 | 26 | 20 | 17.5 | 47 | 50 | 10.5 | 19 | 60 | M12 | 20 | 229 |
| A593094.0016 | A593094.ZM12X3001CIN | 107 | 94 | 65 | 26 | 20 | 17.5 | 47 | 50 | 10.5 | 19 | 60 | M12 | 30 | 236 |
| A593094.0044 | A593094.ZM14X3001CIN | 107 | 94 | 65 | 26 | 20 | 17.5 | 47 | 50 | 10.5 | 19 | 60 | M14 | 30 | 240 |
| A593094.0053 | A593094.ZM14X5001CIN | 107 | 94 | 65 | 26 | 20 | 17.5 | 47 | 50 | 10.5 | 19 | 60 | M14 | 50 | 260 |
| A593094.0070 | A593094.ZM16X5001CIN | 107 | 94 | 65 | 26 | 20 | 17.5 | 47 | 50 | 10.5 | 19 | 70 | M16 | 50 | 278 |

Sonderstiftlänge ab einer Mindestbestellmenge von 300 Stück.

LM = Maximale Länge für Drehbearbeitungen.

A593CIN



Ausführung 20: Schwarz matt (Ral 9005)

| Code | Art. | L | R | H | D | d | c | h | h1 | h2 | h3 | LM | d16g | Q | |
|--------------|----------------------|-----|----|----|----|----|------|----|----|------|----|----|------|----|-----|
| - | A593043.ZM05X1620CIN | 50 | 43 | 30 | 14 | 10 | 9 | 26 | 30 | 5 | 14 | 50 | M5 | 16 | 31 |
| A593043.0117 | A593043.ZM05X2020CIN | 50 | 43 | 30 | 14 | 10 | 9 | 26 | 30 | 5 | 14 | 50 | M5 | 20 | 32 |
| A593043.0037 | A593043.ZM05X3020CIN | 50 | 43 | 30 | 14 | 10 | 9 | 26 | 30 | 5 | 14 | 50 | M5 | 30 | 34 |
| A593065.0037 | A593065.ZM08X1620CIN | 75 | 65 | 45 | 19 | 14 | 13 | 32 | 34 | 7 | 14 | 60 | M8 | 16 | 82 |
| A593065.0049 | A593065.ZM10X2020CIN | 75 | 65 | 45 | 19 | 14 | 13 | 32 | 34 | 7 | 14 | 60 | M8 | 20 | 83 |
| A593065.0062 | A593065.ZM08X3020CIN | 75 | 65 | 45 | 19 | 14 | 13 | 32 | 34 | 7 | 14 | 60 | M8 | 30 | 86 |
| A593065.0077 | A593065.ZM08X4020CIN | 75 | 65 | 45 | 19 | 14 | 13 | 32 | 34 | 7 | 14 | 60 | M8 | 40 | 89 |
| A593065.0119 | A593065.ZM10X3020CIN | 75 | 65 | 45 | 19 | 14 | 13 | 32 | 34 | 7 | 14 | 60 | M10 | 30 | 94 |
| A593065.0129 | A593065.ZM10X4020CIN | 75 | 65 | 45 | 19 | 14 | 13 | 32 | 34 | 7 | 14 | 60 | M10 | 40 | 99 |
| A593080.0042 | A593080.ZM10X2020CIN | 91 | 80 | 57 | 22 | 16 | 16 | 40 | 42 | 8 | 16 | 60 | M10 | 20 | 146 |
| A593080.0058 | A593080.ZM10X3020CIN | 91 | 80 | 57 | 22 | 16 | 16 | 40 | 42 | 8 | 16 | 60 | M10 | 30 | 151 |
| A593080.0071 | A593080.ZM10X4020CIN | 91 | 80 | 57 | 22 | 16 | 16 | 40 | 42 | 8 | 16 | 60 | M10 | 40 | 156 |
| - | A593080.ZM12X2020CIN | 91 | 80 | 57 | 22 | 16 | 16 | 40 | 42 | 8 | 16 | 60 | M12 | 20 | 150 |
| - | A593080.ZM12X3020CIN | 91 | 80 | 57 | 22 | 16 | 16 | 40 | 42 | 8 | 16 | 60 | M12 | 30 | 157 |
| A593080.0139 | A593080.ZM12X5020CIN | 91 | 80 | 57 | 22 | 16 | 16 | 40 | 42 | 8 | 16 | 60 | M12 | 50 | 171 |
| A593094.0082 | A593094.ZM12X2020CIN | 107 | 94 | 65 | 26 | 20 | 17.5 | 47 | 50 | 10.5 | 19 | 60 | M12 | 20 | 229 |
| A593094.0019 | A593094.ZM12X3020CIN | 107 | 94 | 65 | 26 | 20 | 17.5 | 47 | 50 | 10.5 | 19 | 60 | M12 | 30 | 236 |
| - | A593094.ZM14X3020CIN | 107 | 94 | 65 | 26 | 20 | 17.5 | 47 | 50 | 10.5 | 19 | 60 | M14 | 30 | 240 |
| - | A593094.ZM14X5020CIN | 107 | 94 | 65 | 26 | 20 | 17.5 | 47 | 50 | 10.5 | 19 | 60 | M14 | 50 | 260 |
| - | A593094.ZM16X5020CIN | 107 | 94 | 65 | 26 | 20 | 17.5 | 47 | 50 | 10.5 | 19 | 70 | M16 | 50 | 278 |

Sonderstiftlänge ab einer Mindestbestellmenge von 300 Stück.

LM = Maximale Länge für Drehbearbeitungen.



Ausführung 02: Orange (Ral 9006)

| Code | Art. | L | R | H | D | d | c | h | h1 | h2 | h3 | LM | d16g | Q | |
|--------------|----------------------|-----|----|----|----|----|------|----|----|------|----|----|------|----|-----|
| - | A593043.ZM05X1602CIN | 50 | 43 | 30 | 14 | 10 | 9 | 26 | 30 | 5 | 14 | 50 | M5 | 16 | 31 |
| A593043.0027 | A593043.ZM05X2002CIN | 50 | 43 | 30 | 14 | 10 | 9 | 26 | 30 | 5 | 14 | 50 | M5 | 20 | 32 |
| A593043.0036 | A593043.ZM05X3002CIN | 50 | 43 | 30 | 14 | 10 | 9 | 26 | 30 | 5 | 14 | 50 | M5 | 30 | 34 |
| A593065.0173 | A593065.ZM08X1602CIN | 75 | 65 | 45 | 19 | 14 | 13 | 32 | 34 | 7 | 14 | 60 | M8 | 16 | 82 |
| A593065.0047 | A593065.ZM08X2002CIN | 75 | 65 | 45 | 19 | 14 | 13 | 32 | 34 | 7 | 14 | 60 | M8 | 20 | 83 |
| A593065.0060 | A593065.ZM08X3002CIN | 75 | 65 | 45 | 19 | 14 | 13 | 32 | 34 | 7 | 14 | 60 | M8 | 30 | 86 |
| A593065.0075 | A593065.ZM08X4002CIN | 75 | 65 | 45 | 19 | 14 | 13 | 32 | 34 | 7 | 14 | 60 | M8 | 40 | 89 |
| A593065.0117 | A593065.ZM10X3002CIN | 75 | 65 | 45 | 19 | 14 | 13 | 32 | 34 | 7 | 14 | 60 | M10 | 30 | 94 |
| A593080.0038 | A593080.ZM10X2002CIN | 91 | 80 | 57 | 22 | 16 | 16 | 40 | 42 | 8 | 16 | 60 | M10 | 20 | 146 |
| A593080.0056 | A593080.ZM10X3002CIN | 91 | 80 | 57 | 22 | 16 | 16 | 40 | 42 | 8 | 16 | 60 | M10 | 30 | 151 |
| A593080.0069 | A593080.ZM10X4002CIN | 91 | 80 | 57 | 22 | 16 | 16 | 40 | 42 | 8 | 16 | 60 | M10 | 40 | 156 |
| - | A593080.ZM12X2002CIN | 91 | 80 | 57 | 22 | 16 | 16 | 40 | 42 | 8 | 16 | 60 | M12 | 20 | 150 |
| - | A593080.ZM12X3002CIN | 91 | 80 | 57 | 22 | 16 | 16 | 40 | 42 | 8 | 16 | 60 | M12 | 30 | 157 |
| A593080.0136 | A593080.ZM12X5002CIN | 91 | 80 | 57 | 22 | 16 | 16 | 40 | 42 | 8 | 16 | 60 | M12 | 50 | 171 |
| A593094.0078 | A593094.ZM12X2002CIN | 107 | 94 | 65 | 26 | 20 | 17.5 | 47 | 50 | 10.5 | 19 | 60 | M12 | 20 | 229 |
| A593094.0085 | A593094.ZM12X3002CIN | 107 | 94 | 65 | 26 | 20 | 17.5 | 47 | 50 | 10.5 | 19 | 60 | M12 | 30 | 236 |
| - | A593094.ZM14X3002CIN | 107 | 94 | 65 | 26 | 20 | 17.5 | 47 | 50 | 10.5 | 19 | 60 | M14 | 30 | 240 |
| - | A593094.ZM14X5002CIN | 107 | 94 | 65 | 26 | 20 | 17.5 | 47 | 50 | 10.5 | 19 | 60 | M14 | 50 | 260 |
| - | A593094.ZM16X5002CIN | 107 | 94 | 65 | 26 | 20 | 17.5 | 47 | 50 | 10.5 | 19 | 70 | M16 | 50 | 278 |

Sonderstiftlänge ab einer Mindestbestellmenge von 300 Stück.

LM = Maximale Länge für Drehbearbeitungen.



Ausführung 20: Grau (Ral 7031)

| Code | Art. | L | R | H | D | d | c | h | h1 | h2 | h3 | LM | d16g | Q | |
|--------------|----------------------|-----|----|----|----|----|------|----|----|------|----|----|------|----|-----|
| - | A593043.ZM05X1680CIN | 50 | 43 | 30 | 14 | 10 | 9 | 26 | 30 | 5 | 14 | 50 | M5 | 16 | 31 |
| A593043.0119 | A593043.ZM05X2080CIN | 50 | 43 | 30 | 14 | 10 | 9 | 26 | 30 | 5 | 14 | 50 | M5 | 20 | 32 |
| - | A593043.ZM05X3080CIN | 50 | 43 | 30 | 14 | 10 | 9 | 26 | 30 | 5 | 14 | 50 | M5 | 30 | 34 |
| A593065.0038 | A593065.ZM08X1680CIN | 75 | 65 | 45 | 19 | 14 | 13 | 32 | 34 | 7 | 14 | 60 | M8 | 16 | 82 |
| A593065.0185 | A593065.ZM08X2080CIN | 75 | 65 | 45 | 19 | 14 | 13 | 32 | 34 | 7 | 14 | 60 | M8 | 20 | 83 |
| A593065.0064 | A593065.ZM08X3080CIN | 75 | 65 | 45 | 19 | 14 | 13 | 32 | 34 | 7 | 14 | 60 | M8 | 30 | 86 |
| - | A593065.ZM08X4080CIN | 75 | 65 | 45 | 19 | 14 | 13 | 32 | 34 | 7 | 14 | 60 | M8 | 40 | 89 |
| - | A593065.ZM10X3080CIN | 75 | 65 | 45 | 19 | 14 | 13 | 32 | 34 | 7 | 14 | 60 | M10 | 30 | 94 |
| - | A593065.ZM10X4080CIN | 75 | 65 | 45 | 19 | 14 | 13 | 32 | 34 | 7 | 14 | 60 | M10 | 40 | 99 |
| A593080.0184 | A593080.ZM10X2080CIN | 91 | 80 | 57 | 22 | 16 | 16 | 40 | 42 | 8 | 16 | 60 | M10 | 20 | 146 |
| A593080.0061 | A593080.ZM10X3080CIN | 91 | 80 | 57 | 22 | 16 | 16 | 40 | 42 | 8 | 16 | 60 | M10 | 30 | 151 |
| A593080.0074 | A593080.ZM10X4080CIN | 91 | 80 | 57 | 22 | 16 | 16 | 40 | 42 | 8 | 16 | 60 | M10 | 40 | 156 |
| - | A593080.ZM12X2080CIN | 91 | 80 | 57 | 22 | 16 | 16 | 40 | 42 | 8 | 16 | 60 | M12 | 20 | 150 |
| - | A593080.ZM12X3080CIN | 91 | 80 | 57 | 22 | 16 | 16 | 40 | 42 | 8 | 16 | 60 | M12 | 30 | 157 |
| - | A593080.ZM12X5080CIN | 91 | 80 | 57 | 22 | 16 | 16 | 40 | 42 | 8 | 16 | 60 | M12 | 50 | 171 |
| - | A593094.ZM12X2080CIN | 107 | 94 | 65 | 26 | 20 | 17.5 | 47 | 50 | 10.5 | 19 | 60 | M12 | 20 | 229 |
| - | A593094.ZM12X3080CIN | 107 | 94 | 65 | 26 | 20 | 17.5 | 47 | 50 | 10.5 | 19 | 60 | M12 | 30 | 236 |
| - | A593094.ZM14X3080CIN | 107 | 94 | 65 | 26 | 20 | 17.5 | 47 | 50 | 10.5 | 19 | 60 | M14 | 30 | 240 |
| - | A593094.ZM14X5080CIN | 107 | 94 | 65 | 26 | 20 | 17.5 | 47 | 50 | 10.5 | 19 | 60 | M14 | 50 | 260 |
| - | A593094.ZM16X5080CIN | 107 | 94 | 65 | 26 | 20 | 17.5 | 47 | 50 | 10.5 | 19 | 70 | M16 | 50 | 278 |

Sonderstiftlänge ab einer Mindestbestellmenge von 300 Stück.

LM = Maximale Länge für Drehbearbeitungen.