

G733



4-LOBE HANDWHEEL WITH SMOOTH HOLE INSERT

Materials:

Reinforced polyamide.
Resistant to oils and greases.

Surface finish:

Satin.

Colour:

Black (RAL 9011).

Inserts:

(*) Brass insert with smooth blind hole (hole tolerance H7).

ATTENTION: hole cannot be widened.

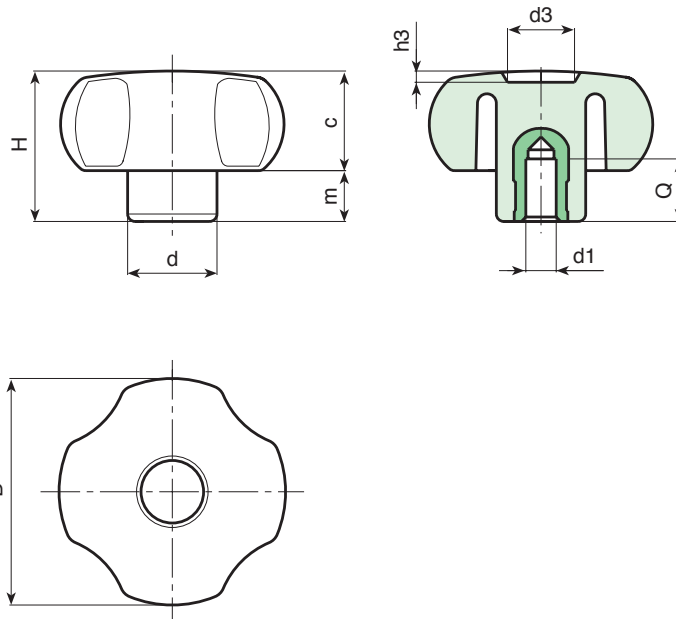
(#) Galvanised steel insert with blind smooth hole (hole tolerance H10).

Special requests:

- Upon request and for special quantities inserts can be supplied in different materials.
- Upon request and for special quantities available in the colours indicated in the chart [page 959].



07



Code	art.	D	H	d	c	m	d3	h3	Dm	d1H7	Q	
G73330.0002	G73330.TD0601	30	23	15	13,5	9,5	12	2	-	(*)06	15	16
G73330.0005	G73330.TD0801	30	23	15	13,5	9,5	12	2	-	(*)08	15	17
G73340.0004	G73340.TD0601	40,5	29,5	15,5	18,5	11	12	3	-	(*)06	15	24
G73340.0005	G73340.TD0801	40,5	29,5	15	18,5	11	12	3	-	(*)08	15	28
G73340.0006	G73340.TD1001	40,5	29,5	17	18,5	11	12	3	-	(*)10	15	30
G73350.0001	G73350.TD0601	49	32	20,5	21,5	11	14,5	2,5	12	(#)06	18	60
G73350.0002	G73350.TD0801	49	32	20,5	21,5	11	14,5	2,5	12	(#)08	18	62
G73350.0003	G73350.TD1001	49	32	20,5	21,5	11	14,5	2,5	12	(#)10	18	63
G73360.0016	G73360.TP0501	60	40,5	23	25	15,5	25	4	12	(#)05	18	90
G73360.0002	G73360.TD0801	60	40,5	23	25	15,5	25	4	12	(#)08	18	93
G73360.0004	G73360.TD1001	60	40,5	23	25	15,5	25	4	12	(#)10	18	96
G73380.0025	G73380.TP0501	79	41	30	24	17	21	3	18	(#)05	24	165
G73380.0007	G73380.TD0801	79	41	30	24	17	21	3	18	(#)08	24	159
G73380.0012	G73380.TD1201	79	41	30	24	17	21	3	18	(#)12	24	153

Attention: (#) for a minimum of 200 pieces the diameter d1 can be produced with the requested dimensions with H10 tolerance.
Dm = Maximum obtainable diameter for subsequent machining (widening)

