

Y713

NEW**+135°
-30°****Aisi
316****RoHS
COMPLIANT**

TWEEDELIGE KLEMRING IN TECHNOPOLYMEER

Materiaal:

Technopolymeer op basis van polyamide 66 versterkt met glasvezel en andere aanvullende componenten.

Bestand tegen oliën en vetten.

Oppervlak:

Gesatineerd.

Kleur:

Zwart (RAL 9011).

Inzetstuk:

(1) 2 schroeven met binnenzeskant in RVS (AISI 316), DIN 912.

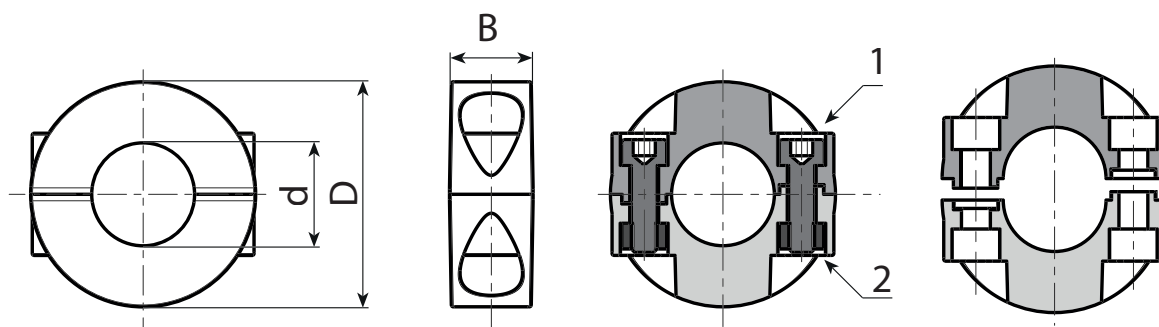
(2) 2 moeren in RVS (AISI 316), DIN 934.

OPGELET:

We bevelen aan de as uit te voeren met een tolerantie kleiner dan klasse h11.

Speciale verzoeken:

- Geen.



| Code | Art. | D | B | d1 | DIN 912 | g |
|--------------|-------------------|----|----|----|---------|------|
| Y713026.0001 | Y713026.TD0301HIN | 26 | 13 | 3 | M4x14 | 17 |
| Y713026.0002 | Y713026.TD0401HIN | 26 | 13 | 4 | M4x14 | 16 |
| Y713026.0003 | Y713026.TD0501HIN | 26 | 13 | 5 | M4x14 | 15 |
| Y713026.0004 | Y713026.TD0601HIN | 26 | 13 | 6 | M4x14 | 14 |
| Y713026.0005 | Y713026.TD0701HIN | 26 | 13 | 7 | M4x14 | 13 |
| Y713035.0001 | Y713035.TD0801HIN | 35 | 13 | 8 | M4x16 | 25 |
| Y713035.0002 | Y713035.TD0901HIN | 35 | 13 | 9 | M4x16 | 24 |
| Y713035.0003 | Y713035.TD1001HIN | 35 | 13 | 10 | M4x16 | 23 |
| Y713035.0004 | Y713035.TD1101HIN | 35 | 13 | 11 | M4x16 | 22 |
| Y713035.0005 | Y713035.TD1201HIN | 35 | 13 | 12 | M4x16 | 21 |
| Y713035.0006 | Y713035.TD1301HIN | 35 | 13 | 13 | M4x16 | 20 |
| Y713035.0007 | Y713035.TD1401HIN | 35 | 13 | 14 | M4x16 | 19 |
| Y713035.0008 | Y713035.TD1501HIN | 35 | 13 | 15 | M4x16 | 18 |
| Y713040.0001 | Y713040.TD1601HIN | 40 | 14 | 16 | M4x16 | 21 |
| Y713040.0002 | Y713040.TD1701HIN | 40 | 14 | 17 | M4x16 | 20,5 |
| Y713040.0003 | Y713040.TD1801HIN | 40 | 14 | 18 | M4x16 | 20 |
| Y713040.0004 | Y713040.TD1901HIN | 40 | 14 | 19 | M4x16 | 19 |
| Y713040.0005 | Y713040.TD2001HIN | 40 | 14 | 20 | M4x16 | 18 |
| Y713050.0001 | Y713050.TD2101HIN | 50 | 14 | 21 | M5x20 | 34 |
| Y713050.0002 | Y713050.TD2201HIN | 50 | 14 | 22 | M5x20 | 33 |
| Y713050.0003 | Y713050.TD2301HIN | 50 | 14 | 23 | M5x20 | 32,5 |
| Y713050.0004 | Y713050.TD2401HIN | 50 | 14 | 24 | M5x20 | 32 |
| Y713050.0005 | Y713050.TD2501HIN | 50 | 14 | 25 | M5x20 | 31 |
| Y713050.0006 | Y713050.TD2601HIN | 50 | 14 | 26 | M5x20 | 30,5 |
| Y713050.0007 | Y713050.TD2801HIN | 50 | 14 | 28 | M5x20 | 30 |
| Y713050.0008 | Y713050.TD3001HIN | 50 | 14 | 30 | M5x20 | 29 |
| Y713065.0001 | Y713065.TD3201HIN | 65 | 14 | 32 | M5x20 | 45 |
| Y713065.0002 | Y713065.TD3401HIN | 65 | 14 | 34 | M5x20 | 44 |
| Y713065.0003 | Y713065.TD3501HIN | 65 | 14 | 35 | M5x20 | 43 |
| Y713065.0004 | Y713065.TD3601HIN | 65 | 14 | 36 | M5x20 | 42 |
| Y713065.0005 | Y713065.TD3801HIN | 65 | 14 | 38 | M5x20 | 41 |
| Y713065.0006 | Y713065.TD4001HIN | 65 | 14 | 40 | M5x20 | 40 |
| Y713075.0001 | Y713075.TD4201HIN | 75 | 14 | 42 | M5x20 | 53,5 |
| Y713075.0002 | Y713075.TD4501HIN | 75 | 14 | 45 | M5x20 | 50 |
| Y713075.0003 | Y713075.TD4801HIN | 75 | 14 | 48 | M5x20 | 47,5 |
| Y713075.0004 | Y713075.TD5001HIN | 75 | 14 | 50 | M5x20 | 45 |