

Y710



SINGLE SPLIT SHAFT COLLAR - SHAPE B - (MORE CLAMPING FORCE +15%)

Materials (1):

Y710:

Turned free-cutting steel.

Y710PIN:

Turned stainless steel (Aisi 303).

Y710AND:

Turned aluminium (Al 6060).

Surface finish:

Fine turned.

Colour:

Y710:

Standard black-oxide treatment.

Y710PIN:

Natural.

Y710AND:

Natural.

Fixing screws (2):

Y710:

No. 1 black-oxide treated steel socket head screw, class 12.9 DIN 912

Y710PIN - Y710AND:

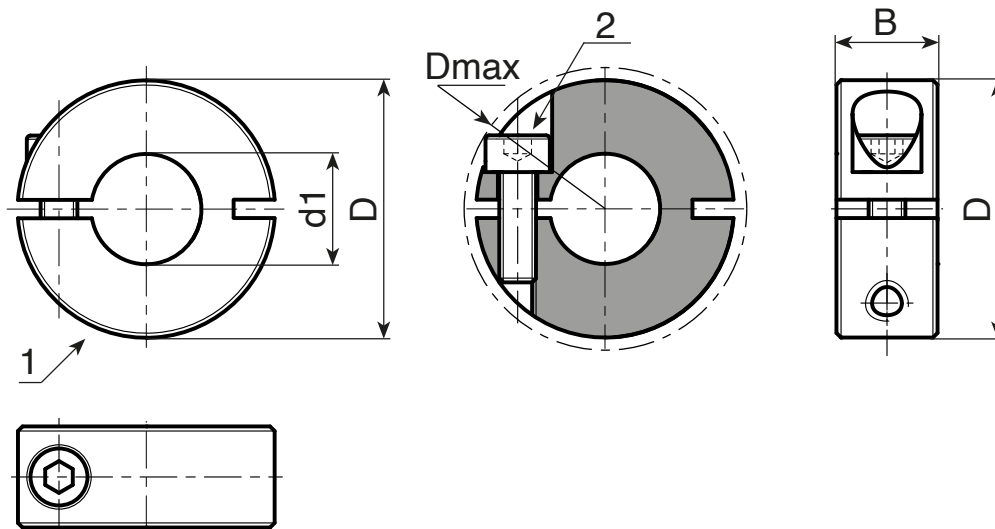
No. 1 stainless steel socket head screw (Aisi 304) DIN 912.

ATTENTION:

We recommend making the shaft with a tolerance less than h11.

Special requests:

- None.



Version Y710: Black-oxide treated steel shaft collars

Code	Art.	D	Dmax	B	d1	DIN 912	g
-	Y710016.VBD04	16	20.7	9	4	M03x8	11.8
-	Y710016.VBD05	16	20.7	9	5	M03x8	11.4
-	Y710016.VBD06	16	20.7	9	6	M03x8	10.5
-	Y710018.VBD08	18	22.4	9	8	M03x8	13
-	Y710024.VBD10	24	26	9	10	M03x10	23
-	Y710028.VBD12	28	31.8	11	12	M04x12	39
-	Y710034.VBD15	34	39.4	13	15	M05x16	68.5
-	Y710034.VBD16	34	39.4	13	16	M05x16	64.5
-	Y710036.VBD18	36	41.1	13	18	M05x16	70
-	Y710040.VBD20	40	46.4	15	20	M06x18	103
-	Y710042.VBD22	42	48.1	15	22	M06x18	103
-	Y710045.VBD25	45	50.8	15	25	M06x18	118
-	Y710048.VBD28	48	53.7	15	28	M06x18	129
-	Y710054.VBD30	54	58.6	15	30	M06x18	175
-	Y710060.VBD40	60	65	15	40	M06x18	171
-	Y710078.VBD50	78	87	19	50	M08x25	400

Y710



SINGLE SPLIT SHAFT COLLAR - SHAPE B - (MORE CLAMPING FORCE +15%)



Version Y710 PIN: Stainless steel (Aisi 303) shaft collars

INOX

Code	Art.	D	Dmax	B	d1	DIN 912	g
-	Y710016.IND04PIN	16	20.7	9	4	M03x8	11.8
-	Y710016.IND05PIN	16	20.7	9	5	M03x8	11.4
-	Y710016.IND06PIN	16	20.7	9	6	M03x8	10.5
-	Y710018.IND08PIN	18	22.4	9	8	M03x8	13
-	Y710024.IND10PIN	24	26	9	10	M03x10	23
-	Y710028.IND12PIN	28	31.8	11	12	M04x12	39
-	Y710034.IND15PIN	34	39.4	13	15	M05x16	68.5
-	Y710034.IND16PIN	34	39.4	13	16	M05x16	64.5
-	Y710036.IND18PIN	36	41.1	13	18	M05x16	70
-	Y710040.IND20PIN	40	46.4	15	20	M06x18	103
-	Y710042.IND22PIN	42	48.1	15	22	M06x18	109
-	Y710045.IND25PIN	45	50.8	15	25	M06x18	118
-	Y710048.IND28PIN	48	53.7	15	28	M06x18	129
-	Y710054.IND30PIN	54	58.6	15	30	M06x18	175
-	Y710060.IND40PIN	60	65	15	40	M06x18	171
-	Y710078.IND50PIN	78	87	19	50	M08x25	400

Version Y710AN: Natural aluminium shaft collars

Al

Code	Art.	D	Dmax	B	d1	DIN 912	g
-	Y710016.AND04	16	20.7	9	4	M03x8	5.1
-	Y710016.AND05	16	20.7	9	5	M03x8	5
-	Y710016.AND06	16	20.7	9	6	M03x8	4.6
-	Y710018.AND08	18	22.4	9	8	M03x8	5.3
-	Y710024.AND10	24	26	9	10	M03x10	9.2
-	Y710028.AND12	28	31.8	11	12	M04x12	15
-	Y710034.AND15	34	39.4	13	15	M05x16	27
-	Y710034.AND16	34	39.4	13	16	M05x16	26.5
-	Y710036.AND18	36	41.1	13	18	M05x16	28.5
-	Y710040.AND20	40	46.4	15	20	M06x18	41
-	Y710042.AND22	42	48.1	15	22	M06x18	42.5
-	Y710045.AND25	45	50.8	15	25	M06x18	45.5
-	Y710048.AND28	48	53.7	15	28	M06x18	51
-	Y710054.AND30	54	58.6	15	30	M06x18	66
-	Y710060.AND40	60	65	15	40	M06x18	67
-	Y710078.AND50	78	87	19	50	M08x25	152