

# W838

POM

UL94  
HB

+50°  
-20°

RoHS  
COMPLIANT

## THREADED PLASTIC SPRING PLUNGER WITH SLOTTED END AND PLASTIC OR STEEL BALL

### Materials:

Moulded plastic plunger body (POM - Delrin).

### Surface finish:

Light satin.

### Colour:

Black (RAL 9011).

### Ball:

**W838:**  
White moulded plastic ball (POM).

**W838CIN**  
Hardened stainless steel ball (Aisi 420).

### Type of spring thrust:

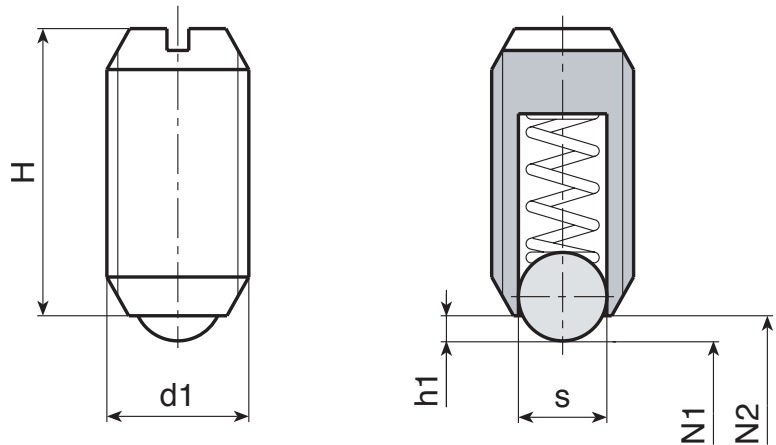
Normal.

### Spring:

Stainless steel spring (Aisi 301).

### Special requests:

- None.



### Version W838: with plastic ball (DELRIN)

Code	art.	s	H	h1	N1 (N)	N2 (N)	d1 <sub>6H</sub>	g
W838.0001	W838.TM06	3.5	14	1	9	13	M6	0.4
W838.0002	W838.TM08	5	16	1.5	15	30	M8	1
W838.0003	W838.TM10	6	19	2	20	40	M10	2

### Version W838CIN: with stainless steel ball.

Code	art.	s	H	h1	N1 (N)	N2 (N)	d1 <sub>6H</sub>	g
W838.0004	W838.TM06	3.5	14	1	9	13	M6	0.4
W838.0005	W838.TM08	5	16	1.5	15	30	M8	1
W838.0006	W838.TM10CIN	6	19	2	20	40	M10	2

W.P