

W735CIN W736CIN



INOX

KNOB WITH FULL STAINLESS STEEL INDEXING PLUNGER - WITH OR WITHOUT NUT

Materials:

- (1) Stainless steel plunger pin (Aisi 303).
- (2) Stainless steel (Aisi 303) indexing plunger body.
- (3) Stainless steel spring (Aisi 301).
- (4) Turned stainless steel lobed knob (Aisi 303).
- (5) Threaded stainless steel lock nut (Aisi 304) (UNI 5589) (only for version W736CIN).

Surface finish:

Natural.

Colour:

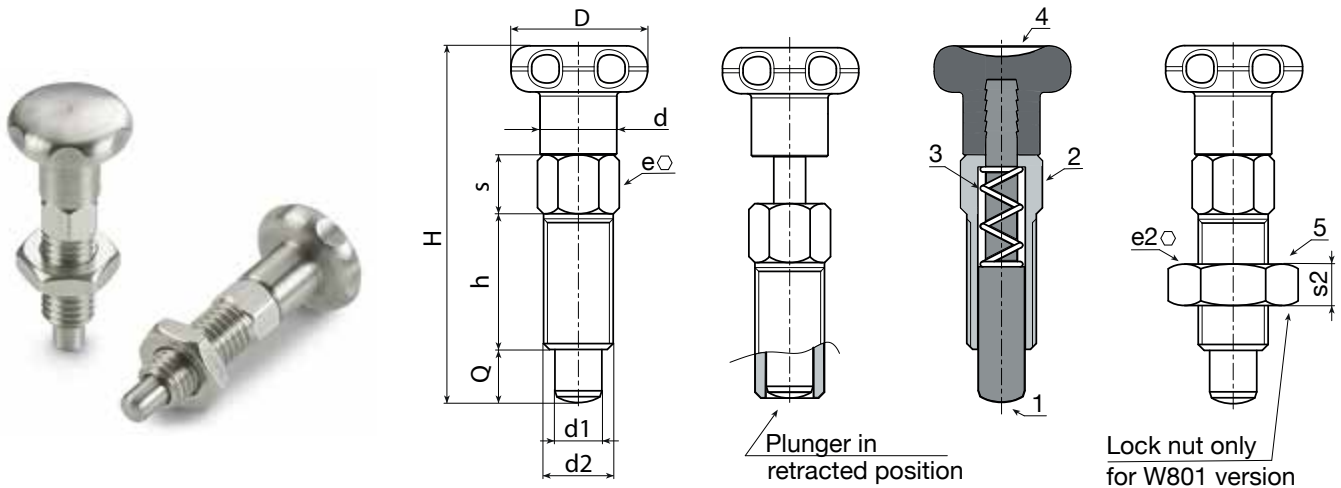
Natural.

ATTENTION:

- > We recommend an H7 tolerance for the plunger stem bore.
- > Nut supplied assembled (only for version W736CIN).

Special Requests:

- On request the plunger can be supplied completely disassembled.
- On request the nut can be supplied disassembled.



Version W735CIN - without nut

Code	Art.	D	d	H	h	e	s	d2	d1 -0,02 -0,04	Q	g
-	W735.105CIN	18	9	42	16	8	6	M8	5	5	21
-	W735.106CIN	22	11	52	20	10	7,5	M10	6	6	23
-	W735.108CIN	24	13	61	24	12	9	M12	8	8	69

Version W736CIN - with nut

Code	Art.	D	d	H	h	e	s	d2	e2	s2	d1 -0,02 -0,04	Q	g
-	W736.105CIN	18	9	42	16	8	6	M8	13	5	5	5	30
-	W736.106CIN	22	11	52	20	10	7,5	M10	17	6	6	6	55
-	W736.108CIN	24	13	61	24	12	9	M12	19	7	8	8	71