

R202CIN

INOX

4 Km/h

+60°
-20°

PA6

PU

UL94
HB

RoHS
COMPLIANT

POLYAMIDE / POLYURETHANE WHEEL WITH ROUND STAINLESS STEEL SWIVEL SUPPORT AND SMOOTH THROUGH HOLE - WITH BRAKE

Materials:

Wheel body (1):

Polyamide. Resistant to oils and greases.

Tread (2):

Injected polyurethane. Hardness 60 ± 5 Shore D.

Surface finish:

Smooth.

Colour:

(1) Natural white.

(2) Red (Ral 3013).

(3-4-5-6) Natural stainless steel.

Wheel rotation (4):

The hole for the pivot pin is formed by plastic moulding. A stainless steel (Aisi 304) tube is positioned between the stud and the hole for protection.

Bracket (3):

Stainless steel (Aisi 304) fork, with integrated brake.

Rotating assembly (5):

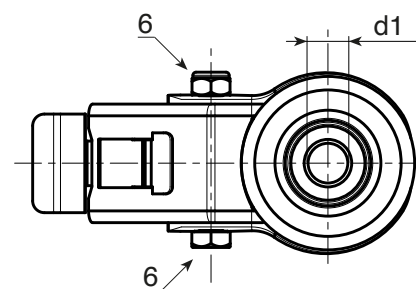
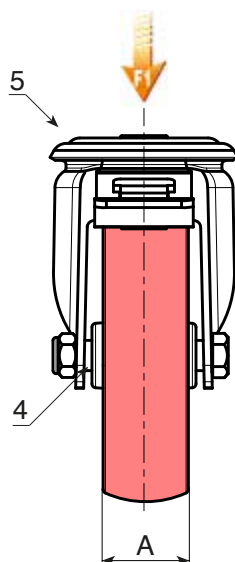
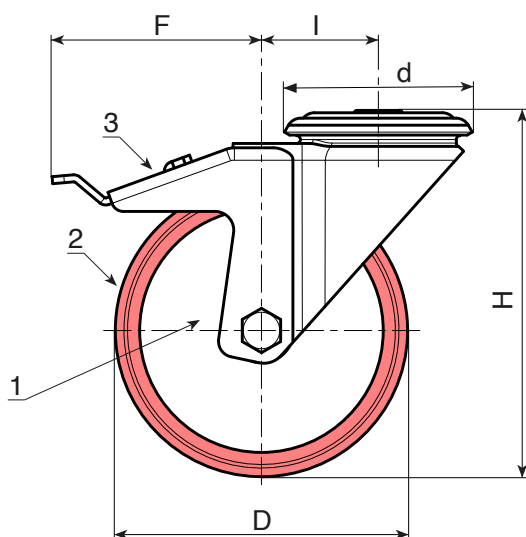
Stainless steel (Aisi 304) rotating assembly with double stainless steel (Aisi 420) ball race and smooth fixing hole, (hole tolerance H7).

Wheel fastening (6):

Stainless steel (Aisi 304) hex head bolt, coupled with a stainless steel (Aisi 304) nut.

Special requests:

- Upon request and for a minimum of 20 pieces, the wheel can be supplied with a needle roller cage, (replace code no. R202CIN with code no. R232CIN).



INOX

Code	art.	D	A	H	I	d	F	d1H7	\bar{g}	F1 (Kg)
-	R202080.T30D12CIN	80	30	108	32	64	110	12	626	100
-	R202100.T30D12CIN	100	30	127	32	64	110	12	728	130
-	R202125.T35D12CIN	125	35	155	32	64	113	12	796	130
-	R202150.T40D12CIN	150	40	184	35	65	115	12	-	140
-	R202200.T50D16CIN	200	50	240	48	95	150	16	2050	300