

# I103

+135°  
-30°

PA6  
+G.F.

UL94  
HB

RoHS  
COMPLIANT

## UCHWYT KULISTY Z OTWOREM GWINTOWANYM W TWORZYWIE SZTUCZNYM

### Materiały:

Poliamid wzmocniony.  
Odporna na oleje i tłuszcze.

### Powierzchnia:

Satynowana.

### Kolor:

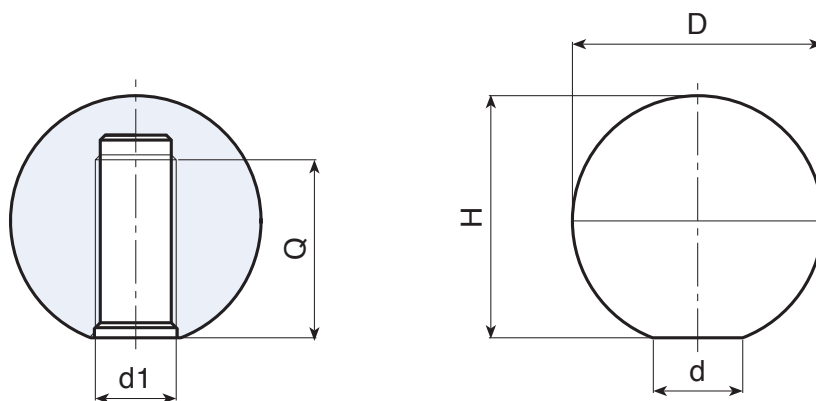
Czarny (RAL 9011).

### Otwór:

Ślepy otwór gwintowany, wytłoczony w sztucznym tworzywie (tolerancja gwintu nie występuje).

### Wykonanie na specjalne zamówienie:

- Na życzenie, w zależności od ilości, kolory zgodnie z tabelą barw (UWAGA: wymiary oznaczone (\*) stanowią limitowaną gamę) [str.].



| Kod         | art.          | D  | H  | d  | d1     | Q  | g  |
|-------------|---------------|----|----|----|--------|----|----|
| I10315.0001 | I10315.TM0401 | 15 | 14 | 9  | M4     | 10 | 2  |
| I10315.0003 | I10315.TM0501 | 15 | 14 | 9  | M5     | 10 | 2  |
| I10320.0001 | I10320.TM0401 | 20 | 19 | 10 | M4     | 14 | 6  |
| I10320.0002 | I10320.TM0501 | 20 | 19 | 10 | M5     | 14 | 6  |
| I10320.0004 | I10320.TM0601 | 20 | 19 | 10 | M6     | 14 | 6  |
| I10320.0009 | I10320.TM0801 | 20 | 19 | 10 | M8     | 14 | 6  |
| I10325.0001 | I10325.TM0501 | 25 | 23 | 14 | M5     | 18 | 10 |
| I10325.0002 | I10325.TM0601 | 25 | 23 | 14 | M6     | 18 | 10 |
| I10325.0009 | I10325.TM0801 | 25 | 23 | 14 | M8     | 18 | 10 |
| I10325.0012 | I10325.TM1001 | 25 | 23 | 14 | M10    | 18 | 8  |
| I10330.0001 | I10330.TM0501 | 30 | 29 | 14 | M5     | 22 | 18 |
| I10330.0002 | I10330.TM0601 | 30 | 29 | 14 | M6     | 22 | 18 |
| I10330.0007 | I10330.TM0801 | 30 | 29 | 14 | M8     | 22 | 16 |
| I10330.0014 | I10330.TM1001 | 30 | 29 | 14 | M10    | 22 | 16 |
| I10330.0020 | I10330.TM1201 | 30 | 29 | 14 | M12    | 22 | 14 |
| I10335.0001 | I10335.TM0601 | 35 | 33 | 16 | (*)M6  | 25 | 28 |
| I10335.0004 | I10335.TM0801 | 35 | 33 | 16 | (*)M8  | 25 | 26 |
| I10335.0007 | I10335.TM1001 | 35 | 33 | 16 | (*)M10 | 25 | 26 |
| I10335.0010 | I10335.TM1201 | 35 | 33 | 16 | (*)M12 | 18 | 32 |
| I10340.0001 | I10340.TM0801 | 40 | 39 | 16 | (*)M8  | 25 | 42 |
| I10340.0007 | I10340.TM1001 | 40 | 39 | 16 | (*)M10 | 25 | 36 |
| I10340.0011 | I10340.TM1201 | 40 | 39 | 16 | (*)M12 | 25 | 36 |
| I10340.0015 | I10340.TM1401 | 40 | 39 | 16 | (*)M14 | 25 | 34 |
| I10345.0001 | I10345.TM0801 | 45 | 44 | 18 | (*)M8  | 25 | 60 |
| I10345.0002 | I10345.TM1001 | 45 | 44 | 18 | (*)M10 | 25 | 58 |
| I10345.0003 | I10345.TM1201 | 45 | 44 | 18 | (*)M12 | 25 | 58 |
| I10345.0004 | I10345.TM1401 | 45 | 44 | 18 | (*)M14 | 25 | 56 |
| I10350.0003 | I10350.TM1001 | 50 | 49 | 18 | (*)M10 | 25 | 80 |
| I10350.0004 | I10350.TM1201 | 50 | 49 | 18 | (*)M12 | 25 | 78 |
| I10350.0007 | I10350.TM1401 | 50 | 49 | 18 | (*)M14 | 25 | 76 |
| I10350.0008 | I10350.TM1601 | 50 | 49 | 18 | (*)M16 | 25 | 73 |