

A524

FIXED LEVER WITH THREADED INSERT



Materials:

Reinforced polyamide.
Resistant to oils and greases.

Surface finish:

Satin.

Colour:

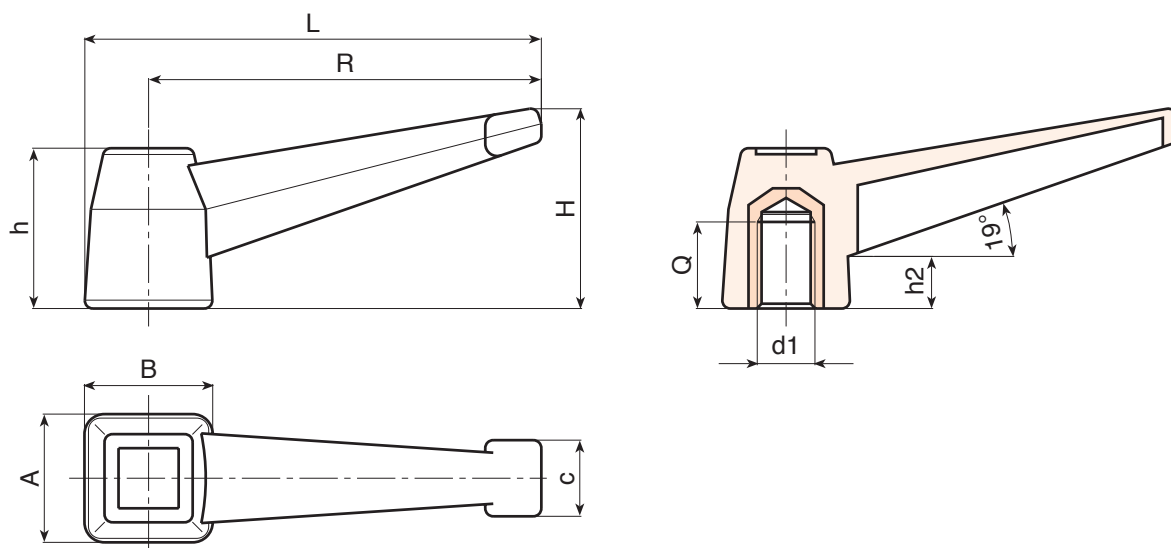
Black (RAL 9011).

Inserts:

Brass insert with female threaded hole (thread tolerance 6H).
(* Galvanised steel insert with female threaded hole (thread tolerance 6H).

Special requests:

- Upon request and for special quantities inserts can be supplied in different materials.



Code	Art.	L	R	H	A	B	c	h	h2	d16H	Q	g
A52498.0001	A52498.TM1201	112	96	51	32	32	19	40	12	M12	19	64
A52498.0002	A52498.TM1401	112	96	51	32	32	19	40	12	M14	19	68
A52498.0003	A52498.TM1601	112	96	51	32	32	19	40	12	(*) M16	16	80