

Y718



STEEL ANGLED BALL JOINT - DIN 71802 - C DESIGN

Materials:

Steel with strength class 5.8.

Surface finish:

Turned with low roughness.

Colour:

Standard blue galvanising.

Inserts:

(1) Steel ball joint with threaded hole.

(3) Harmonic steel spring ring.

(4) Steel nut with threaded hole (DIN 934).

(2) Ball insert with milled seat for wrench and threaded stud machined from solid steel (thread tolerance 6g).

Standard version:

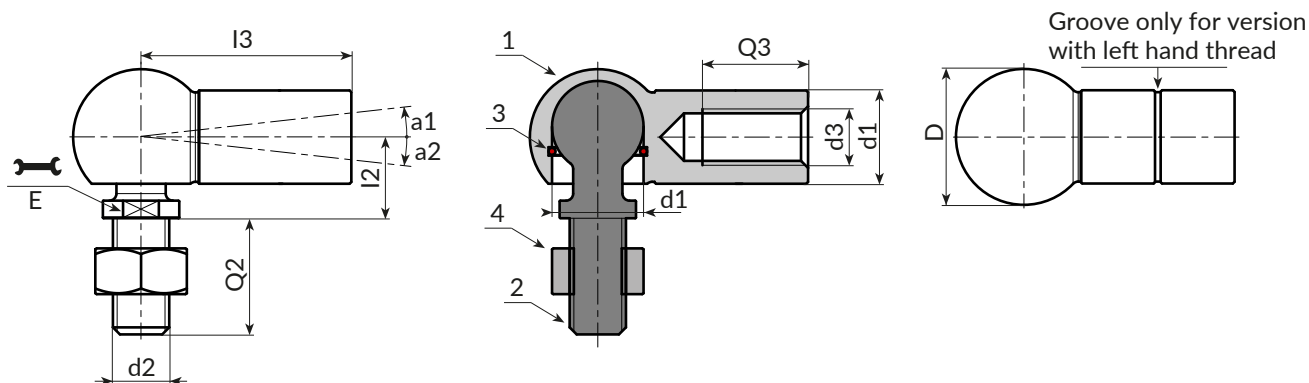
Right-hand thread (thread tolerance 6H).

Version SX (LH):

Left-hand thread (thread tolerance 6H). Identifiable by the groove on the joint.

Special requests:

- None.



Version 718 - joint with standard thread

Code	Art.	d26g	d36H	D	E	l2	l3	Q2	d1 h9-H9	Q3	a1	a2	g
-	Y71808.VZM05	M5	M5	12,8	7	9	22	10,2	8	10,2	18	18	15
-	Y71810.VZM06	M6	M6	14,8	8	11	25	11,5	10	11,5	18	18	25
-	Y71813.VZM08	M8	M8	19,3	11	13	30	14	13	14	18	18	53
-	Y71816.VZM10	M10	M10	24	13	16	35	15,5	16	15,5	18	18	104
-	Y71819.VZM14X1.5	M14X1,5	M14X1,5	30	16	20	45	21,5	19	21,5	-	15	221

Version 718 - joint with LH thread

Code	Art.	d26g	d36H	D	E	l2	l3	Q2	d1 h9-H9	Q3	a1	a2	g
-	Y71808.VZM05SX	M5	M5 SX	12,8	7	9	22	10,2	8	10,2	18	18	15
-	Y71810.VZM06SX	M6	M6 SX	14,8	8	11	25	11,5	10	11,5	18	18	25
-	Y71813.VZM08SX	M8	M8 SX	19,3	11	13	30	14	13	14	18	18	53
-	Y71816.VZM10SX	M10	M10 SX	24	13	16	35	15,5	16	15,5	18	18	104
-	Y71819.VZM14X1.5SX	M14X1,5	M14X1,5 SX	30	16	20	45	21,5	19	21,5	18	18	221