

Y713

NEW



TWO-PIECE SHAFT COLLAR MADE OF TECHNOPOLYMER

Materials:

Technopolymer based on polyamide 66 reinforced with glass fiber and other components in minor percentages.
Resistant to oils and greases.

Surface finish:

Satin.

Colour:

Black (RAL 9011).

Inserts:

(1) 2 stainless steel socket head screws (Aisi 316), DIN 912.

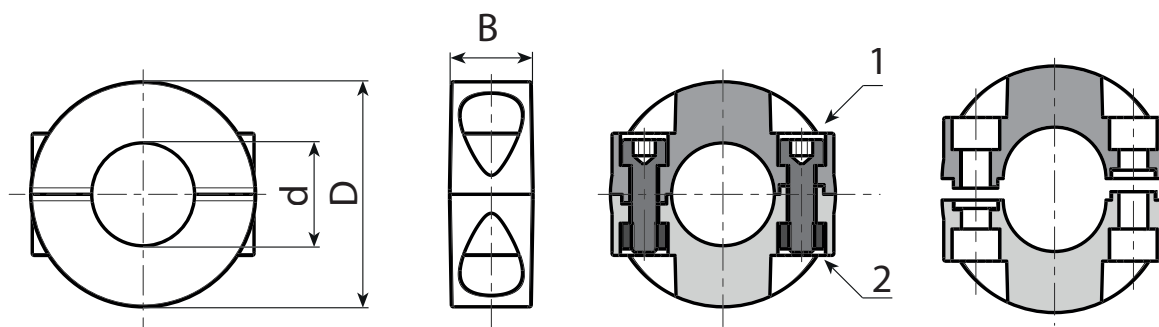
(2) 2 stainless steel nuts (Aisi 316), DIN 934.

ATTENTION:

We recommend making the shaft with a tolerance less than h11.

Special requests:

- None.



Code	Art.	D	B	d1	DIN 912	g
Y713026.0001	Y713026.TD0301HIN	26	13	3	M4x14	17
Y713026.0002	Y713026.TD0401HIN	26	13	4	M4x14	16
Y713026.0003	Y713026.TD0501HIN	26	13	5	M4x14	15
Y713026.0004	Y713026.TD0601HIN	26	13	6	M4x14	14
Y713026.0005	Y713026.TD0701HIN	26	13	7	M4x14	13
Y713035.0001	Y713035.TD0801HIN	35	13	8	M4x16	25
Y713035.0002	Y713035.TD0901HIN	35	13	9	M4x16	24
Y713035.0003	Y713035.TD1001HIN	35	13	10	M4x16	23
Y713035.0004	Y713035.TD1101HIN	35	13	11	M4x16	22
Y713035.0005	Y713035.TD1201HIN	35	13	12	M4x16	21
Y713035.0006	Y713035.TD1301HIN	35	13	13	M4x16	20
Y713035.0007	Y713035.TD1401HIN	35	13	14	M4x16	19
Y713035.0008	Y713035.TD1501HIN	35	13	15	M4x16	18
Y713040.0001	Y713040.TD1601HIN	40	14	16	M4x16	21
Y713040.0002	Y713040.TD1701HIN	40	14	17	M4x16	20,5
Y713040.0003	Y713040.TD1801HIN	40	14	18	M4x16	20
Y713040.0004	Y713040.TD1901HIN	40	14	19	M4x16	19
Y713040.0005	Y713040.TD2001HIN	40	14	20	M4x16	18
Y713050.0001	Y713050.TD2101HIN	50	14	21	M5x20	34
Y713050.0002	Y713050.TD2201HIN	50	14	22	M5x20	33
Y713050.0003	Y713050.TD2301HIN	50	14	23	M5x20	32,5
Y713050.0004	Y713050.TD2401HIN	50	14	24	M5x20	32
Y713050.0005	Y713050.TD2501HIN	50	14	25	M5x20	31
Y713050.0006	Y713050.TD2601HIN	50	14	26	M5x20	30,5
Y713050.0007	Y713050.TD2801HIN	50	14	28	M5x20	30
Y713050.0008	Y713050.TD3001HIN	50	14	30	M5x20	29
Y713065.0001	Y713065.TD3201HIN	65	14	32	M5x20	45
Y713065.0002	Y713065.TD3401HIN	65	14	34	M5x20	44
Y713065.0003	Y713065.TD3501HIN	65	14	35	M5x20	43
Y713065.0004	Y713065.TD3601HIN	65	14	36	M5x20	42
Y713065.0005	Y713065.TD3801HIN	65	14	38	M5x20	41
Y713065.0006	Y713065.TD4001HIN	65	14	40	M5x20	40
Y713075.0001	Y713075.TD4201HIN	75	14	42	M5x20	53,5
Y713075.0002	Y713075.TD4501HIN	75	14	45	M5x20	50
Y713075.0003	Y713075.TD4801HIN	75	14	48	M5x20	47,5
Y713075.0004	Y713075.TD5001HIN	75	14	50	M5x20	45