

Y711

THREADED SHAFT COLLAR



Materials (1):

Y711:

Turned free-cutting steel.

Y711PIN:

Turned stainless steel (Aisi 303).

Surface finish:

Fine turned.

Colour:

Y711:

Standard black-oxide treatment.

Y711PIN:

Natural.

Fixing screws (2):

Y711:

No. 1 black-oxide treated steel socket head screw, class 12.9 DIN 912

Y711PIN:

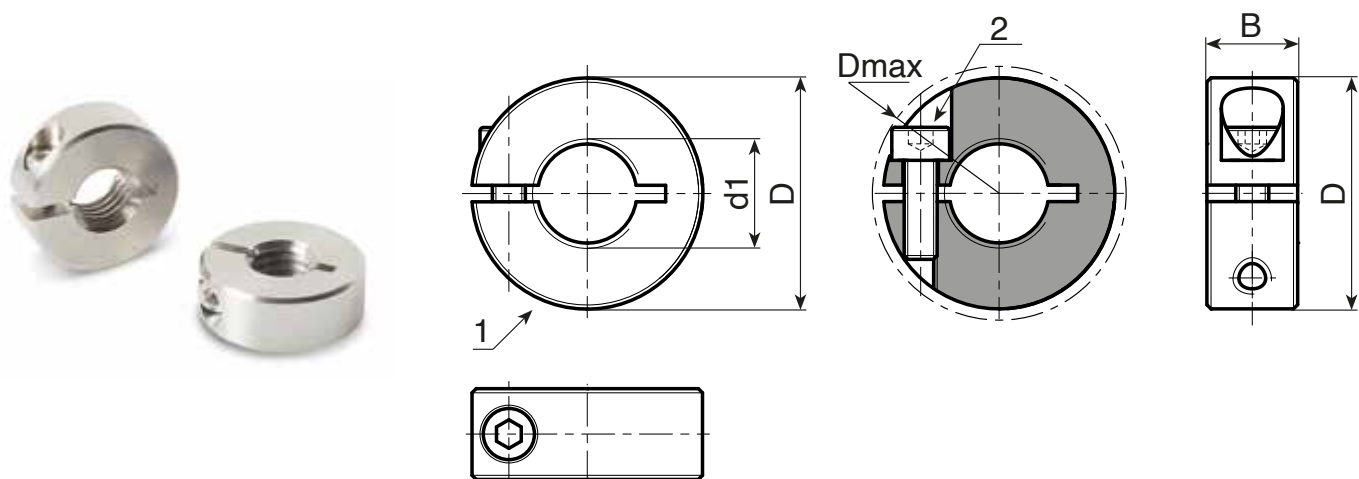
No. 1 stainless steel socket head screw (Aisi 304) DIN 912.

ATTENTION:

We recommend making the shaft with a tolerance less than h11.

Special requests:

- None.



Version Y711: Black-oxide treated steel shaft collars

Code	Art.	D	Dmax	B	d1	DIN 912	g
-	Y711016.VBM04	16	20,7	9	M4	M03x8	14
-	Y711016.VBM05	16	20,7	9	M5	M03x8	13,5
-	Y711016.VBM06	16	20,7	9	M6	M03x8	12
-	Y711018.VBM08	18	22,4	9	M8	M03x8	15
-	Y711024.VBM10	24	26	9	M10	M03x10	24,5
-	Y711028.VBM12	28	31,8	11	M12	M04x12	40
-	Y711034.VBM16	34	39,4	13	M16	M05x16	71
-	Y711040.VBM20	40	46,4	15	M20	M06x18	107

Version Y711 PIN: Stainless steel (Aisi 303) shaft collars



Code	Art.	D	Dmax	B	d1	DIN 912	g
-	Y711016.INM04PIN	16	20,7	9	M4	M03x8	14
-	Y711016.INM05PIN	16	20,7	9	M5	M03x8	13,5
-	Y711016.INM06PIN	16	20,7	9	M6	M03x8	12
-	Y711018.INM08PIN	18	22,4	9	M8	M03x8	15
-	Y711024.INM10PIN	24	26	9	M10	M03x10	24,5
-	Y711028.INM12PIN	28	31,8	11	M12	M04x12	40
-	Y711034.INM16PIN	34	39,4	13	M16	M05x16	71
-	Y711040.INM20PIN	40	46,4	15	M20	M06x18	107