

# Y709

## SINGLE SPLIT SHAFT COLLAR - A DESIGN



### Materials (1):

#### Y709:

Turned free-cutting steel.

#### Y709PIN:

Turned stainless steel (Aisi 303).

#### Y709AND:

Turned aluminium (Al 6060).

### Surface finish:

Fine turned.

### Colour:

#### Y709:

Standard black-oxide treatment.

#### Y709PIN:

Natural.

#### Y709AND:

Natural.

### Fixing screws (2):

#### Y709:

No. 1 black-oxide treated steel socket head screw, class 12.9 DIN 912

#### Y709PIN - Y709AND:

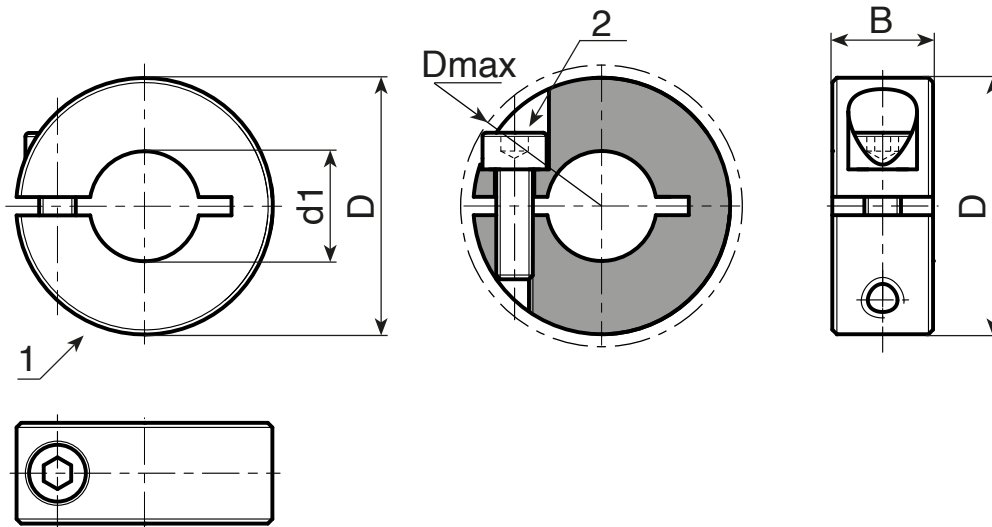
No. 1 stainless steel socket head screw (Aisi 304) DIN 912.

### ATTENTION:

We recommend making the shaft with a tolerance less than h11.

### Special requests:

- None.



### Version Y709: Black-oxide treated steel shaft collars

Code	Art.	D	Dmax	B	d1	DIN 912	g
-	Y709016.VBD04	16	20.7	9	4	M03x8	13.5
-	Y709016.VBD05	16	20.7	9	5	M03x8	11.5
-	Y709016.VBD06	16	20.7	9	6	M03x8	10.8
-	Y709018.VBD08	18	22.4	9	8	M03x8	12.8
-	Y709024.VBD10	24	26	9	10	M03x10	23
-	Y709028.VBD12	28	31.8	11	12	M04x12	39
-	Y709034.VBD15	34	39.4	13	15	M05x16	69
-	Y709034.VBD16	34	39.4	13	16	M05x16	65
-	Y709036.VBD18	36	41.1	13	18	M05x16	70.5
-	Y709040.VBD20	40	46.4	15	20	M06x18	103
-	Y709042.VBD22	42	48.1	15	22	M06x18	102
-	Y709045.VBD25	45	50.8	15	25	M06x18	121
-	Y709048.VBD28	48	53.7	15	28	M06x18	132
-	Y709054.VBD30	54	58.6	15	30	M06x18	174
-	Y709060.VBD40	60	65	15	40	M06x18	171
-	Y709078.VBD50	78	87	19	50	M08x25	400

# Y709

## SINGLE SPLIT SHAFT COLLAR - A DESIGN



### Version Y709 PIN: Stainless steel (Aisi 303) shaft collars

INOX

Code	Art.	D	Dmax	B	d1	DIN 912	g
-	Y709016.IND04PIN	16	20.7	9	4	M03x8	13.5
-	Y709016.IND05PIN	16	20.7	9	5	M03x8	11.5
-	Y709016.IND06PIN	16	20.7	9	6	M03x8	10.8
-	Y709018.IND08PIN	18	22.4	9	8	M03x8	12.8
-	Y709024.IND10PIN	24	26	9	10	M03x10	23
-	Y709028.IND12PIN	28	31.8	11	12	M04x12	39
-	Y709034.IND15PIN	34	39.4	13	15	M05x16	69
-	Y709034.IND16PIN	34	39.4	13	16	M05x16	65
-	Y709036.IND18PIN	36	41.1	13	18	M05x16	70.5
-	Y709040.IND20PIN	40	46.4	15	20	M06x18	103
-	Y709042.IND22PIN	42	48.1	15	22	M06x18	102
-	Y709045.IND25PIN	45	50.8	15	25	M06x18	121
-	Y709048.IND28PIN	48	53.7	15	28	M06x18	132
-	Y709054.IND30PIN	54	58.6	15	30	M06x18	174
-	Y709060.IND40PIN	60	65	15	40	M06x18	171
-	Y709078.IND50PIN	78	87	19	50	M08x25	400

### Version Y709AN: Natural aluminium shaft collars

Al

Code	Art.	D	Dmax	B	d1	DIN 912	g
-	Y709016.AND04	16	20.7	9	4	M03x8	5.2
-	Y709016.AND05	16	20.7	9	5	M03x8	5
-	Y709016.AND06	16	20.7	9	6	M03x8	4.6
-	Y709018.AND08	18	22.4	9	8	M03x8	5.3
-	Y709024.AND10	24	26	9	10	M03x10	9.2
-	Y709028.AND12	28	31.8	11	12	M04x12	15
-	Y709034.AND15	34	39.4	13	15	M05x16	27
-	Y709034.AND16	34	39.4	13	16	M05x16	26.5
-	Y709036.AND18	36	41.1	13	18	M05x16	28.5
-	Y709040.AND20	40	46.4	15	20	M06x18	41
-	Y709042.AND22	42	48.1	15	22	M06x18	42.5
-	Y709045.AND25	45	50.8	15	25	M06x18	45.5
-	Y709048.AND28	48	53.7	15	28	M06x18	50
-	Y709054.AND30	54	58.6	15	30	M06x18	66
-	Y709060.AND40	60	65	15	40	M06x18	65
-	Y709078.AND50	78	87	19	50	M08x25	150