

Y708

TWO-PIECE SHAFT COLLAR



Materials (1):

Y708:

Turned free-cutting steel.

Y708PIN:

Turned stainless steel (Aisi 303).

Y708AND:

Turned aluminium (Al 6060).

Surface finish:

Fine turned.

Colour:

Y708:

Standard black-oxide treatment.

Y708PIN:

Natural.

Y708AND:

Natural.

Fixing screws (2):

Y709:

No. 1 black-oxide treated steel socket head screw, class 12.9 DIN 912

Y709PIN - Y710AND:

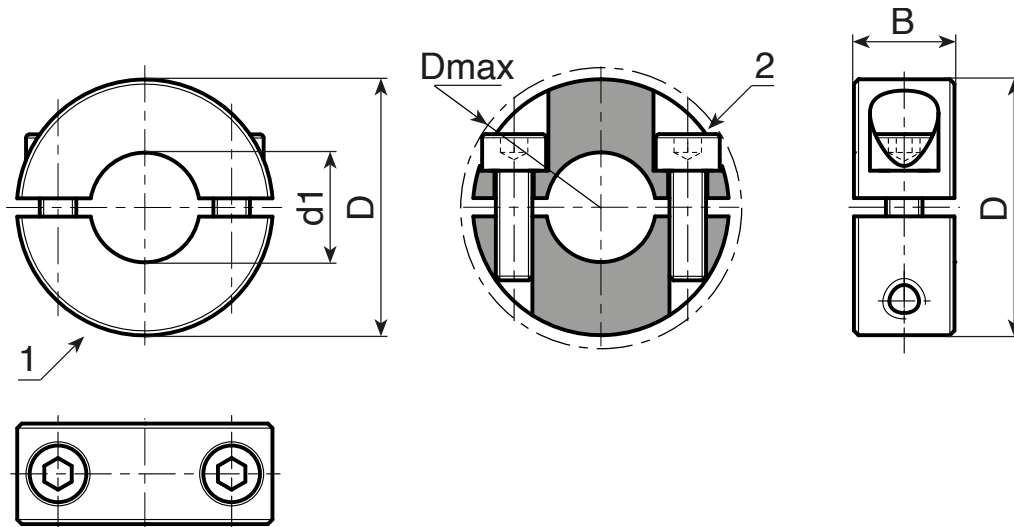
No. 1 stainless steel socket head screw (Aisi 304) DIN 912.

ATTENTION:

We recommend making the shaft with a tolerance less than h11.

Special requests:

- None.



Version Y708: Black-oxide treated steel shaft collars

Code	Art.	D	Dmax	B	d1	DIN 912	g
-	Y708016.VBD04	16	20.7	9	4	M03x8	12.5
-	Y708016.VBD05	16	20.7	9	5	M03x8	12.7
-	Y708016.VBD06	16	20.7	9	6	M03x8	10.3
-	Y708018.VBD08	18	22.4	9	8	M03x8	14
-	Y708024.VBD10	24	26	9	10	M03x10	22
-	Y708028.VBD12	28	31.8	11	12	M04x12	37
-	Y708034.VBD15	34	39.4	13	15	M05x16	61.5
-	Y708034.VBD16	34	39.4	13	16	M05x16	62
-	Y708036.VBD18	36	41.1	13	18	M05x16	66
-	Y708040.VBD20	40	46.4	15	20	M06x18	99
-	Y708042.VBD22	42	48.1	15	22	M06x18	105
-	Y708045.VBD25	45	50.8	15	25	M06x18	116
-	Y708048.VBD28	48	53.7	15	28	M06x18	123
-	Y708054.VBD30	54	58.6	15	30	M06x18	166
-	Y708060.VBD40	60	65	15	40	M06x18	166
-	Y708078.VBD50	78	87	19	50	M08x25	390

Y708

TWO-PIECE SHAFT COLLAR



Version Y708PIN: Stainless steel (Aisi 303) shaft collars

INOX

Code	Art.	D	Dmax	B	d1	DIN 912	g
-	Y708016.IND04PIN	16	20.7	9	4	M03x8	12
-	Y708016.IND05PIN	16	20.7	9	5	M03x8	11.5
-	Y708016.IND06PIN	16	20.7	9	6	M03x8	9.5
-	Y708018.IND08PIN	18	22.4	9	8	M03x8	12
-	Y708024.IND10PIN	24	26	9	10	M03x10	22
-	Y708028.IND12PIN	28	31.8	11	12	M04x12	37
-	Y708034.IND15PIN	34	39.4	13	15	M05x16	65
-	Y708034.IND16PIN	34	39.4	13	16	M05x16	63.5
-	Y708036.IND18PIN	36	41.1	13	18	M05x16	69.5
-	Y708040.IND20PIN	40	46.4	15	20	M06x18	99
-	Y708042.IND22PIN	42	48.1	15	22	M06x18	107
-	Y708045.IND25PIN	45	50.8	15	25	M06x18	115
-	Y708048.IND28PIN	48	53.7	15	28	M06x18	127
-	Y708054.IND30PIN	54	58.6	15	30	M06x18	169
-	Y708060.IND40PIN	60	65	15	40	M06x18	166
-	Y708078.IND50PIN	78	87	19	50	M08x25	392

Version Y708AND: Natural aluminium shaft collars

AI

Code	Art.	D	Dmax	B	d1	DIN 912	g
-	Y708016.AND04	16	20.7	9	4	M03x8	5.5
-	Y708016.AND05	16	20.7	9	5	M03x8	5.3
-	Y708016.AND06	16	20.7	9	6	M03x8	5
-	Y708018.AND08	18	22.4	9	8	M03x8	5.5
-	Y708024.AND10	24	26	9	10	M03x10	9.3
-	Y708028.AND12	28	31.8	11	12	M04x12	15.5
-	Y708034.AND15	34	39.4	13	15	M05x16	28
-	Y708034.AND16	34	39.4	13	16	M05x16	28
-	Y708036.AND18	36	41.1	13	18	M05x16	30
-	Y708040.AND20	40	46.4	15	20	M06x18	43
-	Y708042.AND22	42	48.1	15	22	M06x18	45
-	Y708045.AND25	45	50.8	15	25	M06x18	47
-	Y708048.AND28	48	53.7	15	28	M06x18	51.5
-	Y708054.AND30	54	58.6	15	30	M06x18	67
-	Y708060.AND40	60	65	15	40	M06x18	66
-	Y708078.AND50	78	87	19	50	M08x25	156