

DIN 705 - STEEL LOCK RING NUT WITH STEEL GRUB SCREW DIN 914

Materials:

Y706:

Standard steel.

Y706PIN:

Stainless steel (Aisi 303).

Surface finish:

Smooth, turned.

Colour:

Y706:

Black-oxide treatment.

Y706PIN:

Natural.

Grub screw:

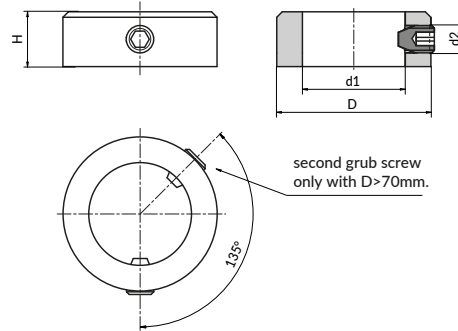
Hex socket head grub screw DIN 914.

Attention:

second grub screw added starting from diameter D=>70 mm.

Special requests:

- None.



Version Y706: black-oxide treated steel

Code	Art.	Dh13	Hjs14	d2	d1H8	g
-	Y706007.VBD003	7	5	M2	3	1,2
-	Y706008.VBD004	8	5	M2,5	4	1,4
-	Y706010.VBD005	10	6	M3	5	2,7
-	Y706012.VBD006	12	8	M4	6	5
-	Y706012.VBD007	12	8	M4	7	5
-	Y706016.VBD008	16	8	M4	8	9
-	Y706018.VBD009	18	10	M5	9	14,5
-	Y706020.VBD010	20	10	M5	10	18
-	Y706020.VBD011	20	10	M5	11	16,5
-	Y706022.VBD012	22	12	M6	12	24
-	Y706025.VBD014	25	12	M6	14	30,5
-	Y706025.VBD015	25	12	M6	15	28
-	Y706028.VBD016	28	12	M6	16	37
-	Y706032.VBD018	32	14	M6	18	58
-	Y706032.VBD020	32	14	M6	20	52
-	Y706040.VBD024	40	16	M8	24	98
-	Y706040.VBD025	40	16	M8	25	94
Y	Y706040.VBD026	40	16	M8	26	86,5
-	Y706045.VBD028	45	16	M8	28	120
-	Y706045.VBD030	45	16	M8	30	107
-	Y706050.VBD032	50	16	M8	32	142
-	Y706056.VBD035	56	16	M8	35	184
-	Y706056.VBD036	56	16	M8	36	177
-	Y706056.VBD038	56	16	M8	38	163
-	Y706063.VBD040	63	18	M10	40	256
-	Y706063.VBD042	63	18	M10	42	240
-	Y706070.VBD045	70	18	M10	45	313
-	Y706070.VBD048	70	18	M10	48	313
-	Y706080.VBD050	80	18	M10	50	424
-	Y706080.VBD052	80	18	M10	52	401
-	Y706080.VBD055	80	18	M10	55	367
-	Y706080.VBD056	80	18	M10	56	362
-	Y706090.VBD058	90	20	M10	58	572
-	Y706090.VBD060	90	20	M10	60	555
-	Y706090.VBD063	90	20	M10	63	498
-	Y706100.VBD065	100	20	M10	65	702
-	Y706100.VBD068	100	20	M10	68	702
-	Y706100.VBD070	100	20	M10	70	615
-	Y706110.VBD072	110	22	M12	72	938
-	Y706110.VBD075	110	22	M12	75	878
-	Y706110.VBD080	110	22	M12	80	773
-	Y706125.VBD085	125	22	M12	85	1139
-	Y706125.VBD090	125	22	M12	90	1021

Y706

UPDATE

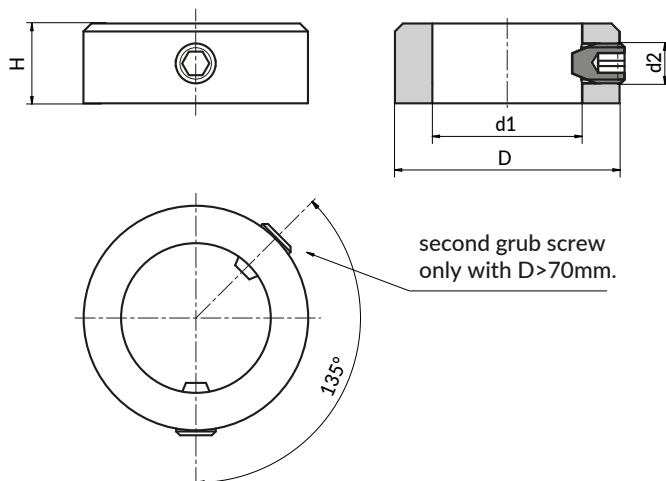
+200°
-40°

C40

AISI
303

RoHS
COMPLIANT

DIN 705 - STEEL LOCK RING NUT WITH STEEL GRUB SCREW DIN 914



Version Y706 PIN - stainless steel (Aisi 303)

INOX

Code	Art.	Dh13	Hjs14	d2	d1H8	g
-	Y706007.IND003PIN	7	5	M2	3	1,2
-	Y706008.IND004PIN	8	5	M2,5	4	1,4
-	Y706010.IND005PIN	10	6	M3	5	2,7
-	Y706012.IND007PIN	12	8	M4	7	5
-	Y706016.IND008PIN	16	8	M4	8	9
-	Y706018.IND009PIN	18	10	M5	9	14,5
-	Y706020.IND010PIN	20	10	M5	10	18
-	Y706020.IND011PIN	20	10	M5	11	16,5
-	Y706022.IND012PIN	22	12	M6	12	24
-	Y706025.IND014PIN	25	12	M6	14	30,5
-	Y706025.IND015PIN	25	12	M6	15	28
-	Y706028.IND016PIN	28	12	M6	16	37
-	Y706032.IND018PIN	32	14	M6	18	58
-	Y705032.IND020PIN	32	14	M6	20	52
-	Y706040.IND024PIN	40	16	M8	24	98
-	Y706040.IND025PIN	40	16	M8	25	94
-	Y706040.IND026PIN	40	16	M8	26	86,5
-	Y706045.IND028PIN	45	16	M8	28	120
-	Y706045.IND030PIN	45	16	M8	30	107
-	Y706050.IND032PIN	50	16	M8	32	142
-	Y706056.IND035PIN	56	16	M8	35	184
-	Y706056.IND036PIN	56	16	M8	36	177
-	Y706056.IND038PIN	56	16	M8	38	163
-	Y706063.IND040PIN	63	18	M10	40	256
-	Y706063.IND042PIN	63	18	M10	42	240
-	Y706070.IND045PIN	70	18	M10	45	313
-	Y706070.IND048PIN	70	18	M10	48	313
-	Y706080.IND050PIN	80	18	M10	50	424
-	Y706080.IND052PIN	80	18	M10	52	401
-	Y706080.IND055PIN	80	18	M10	55	367
-	Y706080.IND056PIN	80	18	M10	56	362
-	Y706090.IND058PIN	90	20	M10	58	572
-	Y706090.IND060PIN	90	20	M10	60	555
-	Y706090.IND063PIN	90	20	M10	63	498
-	Y706100.IND065PIN	100	20	M10	65	702
-	Y706100.IND068PIN	100	20	M10	68	702
-	Y706100.IND070PIN	100	20	M10	70	615
-	Y706110.IND072PIN	110	22	M12	72	938
-	Y706110.IND075PIN	110	22	M12	75	878
-	Y706110.IND080PIN	110	22	M12	80	773
-	Y706125.IND085PIN	125	22	M12	85	1139
-	Y706125.IND090PIN	125	22	M12	90	1021
-	Y706140.IND100PIN	140	25	M12	100	1480