

Y637

DIN 6372 - C-WASHER

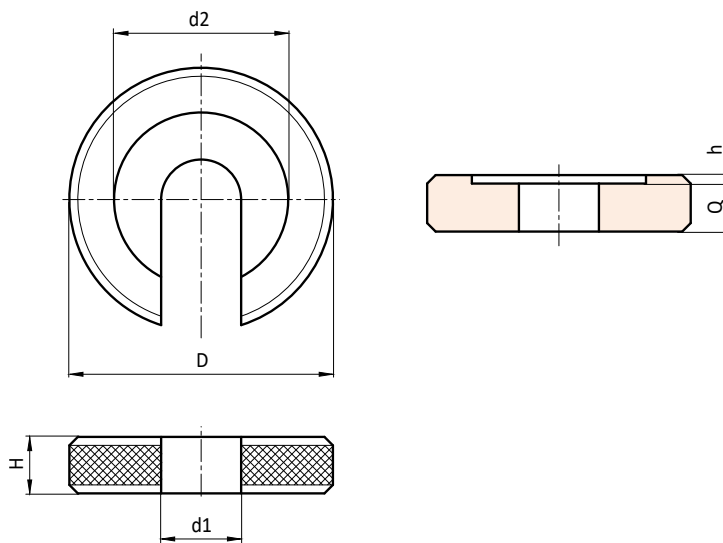


Materials:
Quenched and tempered steel.

Surface finish:
Heat-treated.

Colour:
Black-oxide treatment.

Special requests:
• None.



Code	Art.	D	H	h	d2	d1	Q	g
-	Y637017.SD05.25	17	5	0.75	12	5.25	4.25	6
-	Y637022.SD06.4	22	6	0.8	16	6.4	5.2	12
-	Y637028.SD08.4	28	7	1	21	8.4	6	23
-	Y637034.SD10.5	34	8	1.2	25	10.5	6.8	38
-	Y637040.SD13	40	9	1.8	30	13	7.2	57
-	Y637048.SD14.5	48	12	1.8	33	14.5	10.2	117
-	Y637056.SD17	56	12	1.8	37	17	10.2	146
-	Y637064.SD21	64	14	2	45	21	12	234
-	Y637075.SD25	75	16	2	52	25	14	374
-	Y637090.SD31	90	18	2	65	31	16	720
-	Y637100.SD37	100	20	2.5	75	37	17.5	791