

# Y321



## DIN 6319 ed. 10/01 - STAINLESS STEEL CONCAVE G DESIGN WASHER

### Materials:

#### Y321:

Quenched and tempered steel.

#### Y321PIN:

Stainless steel (Aisi 303).

### Surface finish:

#### Y321:

Heat treated HV 390±40.

#### Y321PIN:

Natural, untreated.

### Colour:

#### Y321:

Standard black-oxide treatment.

#### Y321PIN:

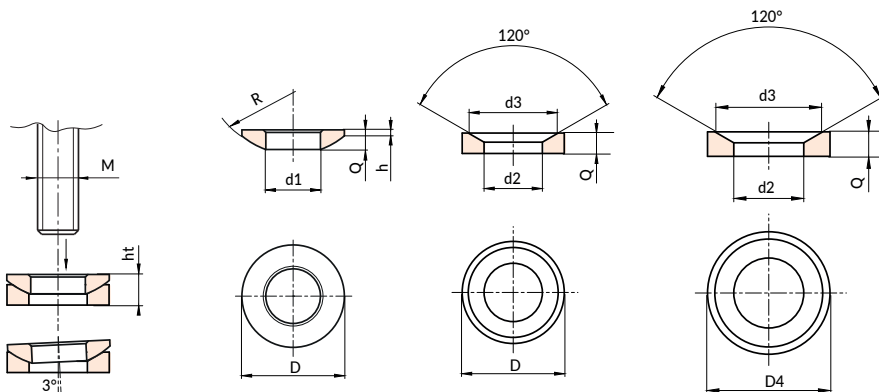
Natural.

### Special requests:

- None.

### Notes:

Attention: concave washer Y321 must be used with convex washer Y319 (to be ordered separately).



Forma C  
Y319

Forma D  
Y320

Forma G  
Y321

### Version DIN 6319 G Design - black-oxide treated steel concave washer

Code	Art.	D	d3	h4	d2H13	M	Q	Max. permissible static load	kN	
-	Y321015.SD06	15	9.25	3.5	6	M05	2.5	-		3.6
-	Y321017.SD07.1	17	11	5.2	7.1	M06	4	9		3.6
-	Y321024.SD09.6	24	14.5	6.8	9.6	M08	5	17		10
-	Y321030.SD12	30	18.5	7.1	12	M10	5	26		18
-	Y321036.SD14.2	36	20	9	14.2	M12	6	38		30
-	Y321040.SD16.5	40	24.8	8.6	16.5	M14	6	53		38
-	Y321044.SD19	44	26	10.1	19	M16	7	73		61
-	Y321050.SD23.2	50	31	12	23.2	M20	8	117		124
-	Y321060.SD28	60	37	15.5	28	M24	10	168		232
-	Y321068.SD35	68	49	18.7	35	M30	12	269		360
-	Y321080.SD42	80	60	20.3	42	M36	12	394		633

### Version DIN 6319 G Design - stainless steel (Aisi 303) concave washer



Code	Art.	D	d3	h4	d2H13	M	Q	Max. permissible static load	kN	
-	Y321017.SD07.1PIN	17	11	5.2	7.1	M06	4	6		3.6
-	Y321024.ID09.6PIN	24	14.5	6.8	9.6	M08	5	12		10
-	Y321030.ID12PIN	30	18.5	7.1	12	M10	5	16		18
-	Y321036.ID14.2PIN	36	20	9	14.2	M12	6	24		30
-	Y321044.ID19PIN	44	26	10.1	19	M16	7	45		61
-	Y321050.ID23.2PIN	50	31	12	23.2	M20	8	71		124
-	Y321060.ID28PIN	60	37	15.5	28	M24	10	105		232