

Y320

DIN 6319 ed. 10/01 - CONCAVE D DESIGN WASHER



Materials:

Y320:
Case-hardened steel.

Y320PIN:
Stainless steel (Aisi 303).

Surface finish:

Y320:
Smooth, case-hardened.

Y320PIN:
Natural, untreated.

Colour:

Y320:
Standard black-oxide treatment.

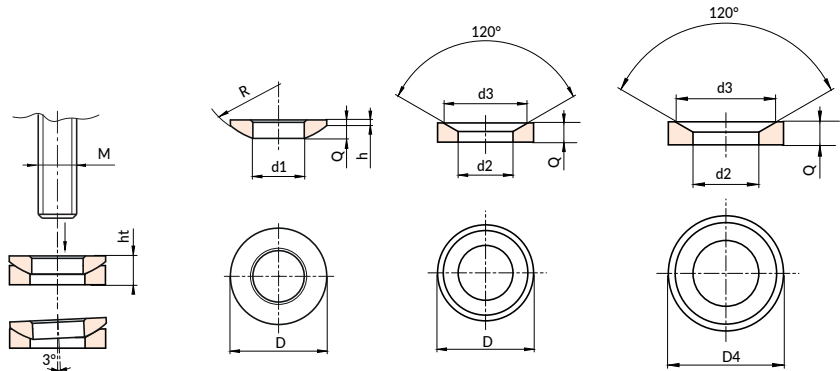
Y320PIN:
Natural.

Special requests:

- None.

Notes:

Attention: concave washer Y320 must be used with convex washer Y319 (to be ordered separately).



Forma C
Y319

Forma D
Y320

Forma G
Y321

Version DIN 6319 D Design - black-oxide treated steel concave washer

Code	Art.	D	d3	h4	d2 _{H13}	M	Q	Max. permissible static load	g
-	Y320010.SD06	10.5	9.25	3.1	6	M05	2.1	-	0.8
-	Y320012.SD07.1	12	11	4	7.1	M06	2.8	9	1.4
-	Y320017.SD09.6	17	14.5	5.6	9.6	M08	3.5	17	3.6
-	Y320021.SD12	21	18.5	6.3	12	M10	4.2	26	6.5
-	Y320024.SD14.2	24	20	8	14.2	M12	5	38	10
-	Y320028.SD16.5	28	24.8	8.2	16.5	M14	5.6	53	15
-	Y320030.SD19	30	26	9.3	19	M16	6.2	73	18
-	Y320036.SD23.2	36	31	11.6	23.2	M20	7.5	117	30
-	Y320044.SD28	44	37	15	28	M24	9.5	168	61
-	Y320056.SD35	56	49	18.9	35	M30	12	269	124
-	Y320068.SD42	68	60	23.3	42	M36	15	394	232
-	Y320078.SD49	78	70	28.3	49	M42	18	542	360
-	Y320092.SD56	92	82	35.2	56	M48	22	714	633
-	Y320103.SD65	103	92	39.7	65	M56	25	-	873
-	Y320120.SD75	120	110	46.5	75	M64	30	-	1422

Version DIN 6319 D Design - stainless steel (Aisi 303) concave washer



Code	Art.	D	d3	h4	d2 _{H13}	M	Q	Max. permissible static load	g
-	Y320012.SD07.1PIN	12	11	4	7.1	M06	2.8	6	1.4
-	Y320017.ID09.6PIN	17	14.5	5.6	9.6	M08	3.5	12	3.6
-	Y320021.ID12PIN	21	18.5	6.3	12	M10	4.2	16	6.5
-	Y320024.ID14.2PIN	24	20	8	14.2	M12	5	24	10
-	Y320030.ID19PIN	30	26	9.3	19	M16	6.2	45	18
-	Y320036.ID23.2PIN	36	31	11.6	23.2	M20	7.5	71	30
-	Y320044.ID28PIN	44	37	15	28	M24	9.5	105	61
-	Y320056.ID35PIN	56	49	18.9	35	M30	12	191	124
-	Y320068.ID42PIN	68	60	23.3	42	M36	15	-	232
-	Y320078.ID49PIN	78	70	28.3	49	M42	18	-	360