

# Y319



## DIN 6319 ed. 10/01 - STEEL CONVEX C DESIGN WASHER

### Materials:

**Y319:**

Case-hardened steel.

**Y319PIN:**

Stainless steel (Aisi 303).

### Surface finish:

**Y319:**

Smooth, case-hardened.

**Y319PIN:**

Natural, untreated.

### Colour:

**Y319:**

Standard black-oxide treatment.

**Y319PIN:**

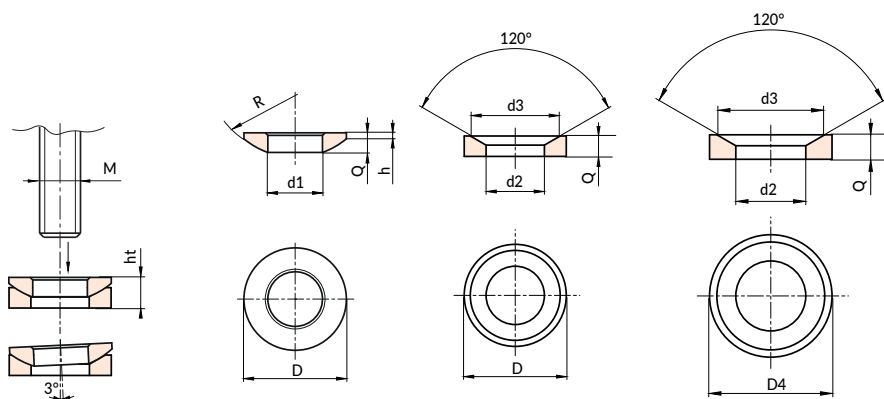
Natural.

### Special requests:

- None.

### Notes:

Attention: convex washer Y319 must be used with concave washer Y320 or Y321 (to be ordered separately).



Forma C  
Y319

Forma D  
Y320

Forma G  
Y321



### Version DIN 6319 C Design - black-oxide treated steel convex washer

Code	Art.	D	R	h	d1 <sub>H13</sub>	M	Q	Max. permissible static load	kN	
-	Y319010.SD05.25	10.5	7.5	0.4	5.25	M05	2	-	0.7	
-	Y319012.SD06.4	12	9	0.7	6.4	M06	2.3	9	1	
-	Y319017.SD08.4	17	12	0.6	8.4	M08	3.2	17	2.8	
-	Y319021.SD10.5	21	15	0.8	10.5	M10	4	26	5	
-	Y319024.SD13	24	17	1.1	13	M12	4.6	38	8	
-	Y319028.SD15	28	22	1.2	15	M14	5	53	11	
-	Y319030.SD17	30	22	1.3	17	M16	5.3	73	13	
-	Y319036.SD21	36	27	2	21	M20	6.3	117	23	
-	Y319044.SD25	44	32	2.4	25	M24	8.2	168	21	
-	Y319056.SD31	56	41	3.6	31	M30	11.2	269	103	
-	Y319068.SD37	68	50	4.6	37	M36	14	394	188	
-	Y319078.SD43	78	58	6.5	43	M42	17	542	316	
-	Y319092.SD50	92	67	8	50	M48	21	714	549	
-	Y319103.SD58	103	79	9.5	58	M56	23	-	748	
-	Y319120.SD66	120	93	12	66	M64	27	-	1239	

### Version DIN 6319 C Design - stainless steel (Aisi 303) convex washer



Code	Art.	D	R	h	d1 <sub>H13</sub>	M	Q	Max. permissible static load	kN	
-	Y319012.ID06.4PIN	12	9	0.7	6.4	M06	2.3	6	1	
-	Y319017.ID08.4PIN	17	12	0.6	8.4	M08	3.2	12	2.8	
-	Y319021.ID10.5PIN	21	15	0.8	10.5	M10	4	16	5	
-	Y319024.ID13PIN	24	17	1.1	13	M12	4.6	24	7	
-	Y319030.ID17PIN	30	22	1.3	17	M16	5.3	45	13	
-	Y319036.ID21PIN	36	27	2	21	M20	6.3	71	24	
-	Y319044.ID25PIN	44	32	2.4	25	M24	8.2	105	44	
-	Y319056.ID31PIN	56	41	3.6	31	M30	11.2	191	106	
-	Y319068.ID37PIN	68	50	4.6	37	M36	14	-	194	
-	Y319078.ID43PIN	78	58	6.5	43	M42	17	-	311	