

W849



C40

Aisi 303



THREADED STEEL GRUB SCREW WITH HEAGON SOCKET END AND STEEL BALL POINT

Materials:

W849:

Quenched steel grub screw body with strength class 10.9.

W849CIN:

Stainless steel grub screw body (Aisi 303).

Surface finish:

Smooth.

Colour:

W849:

Black-oxide treated.

W849CIN:

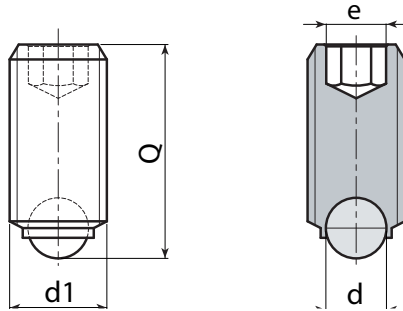
Natural.

Ball:

Hardened stainless steel ball (Aisi 420).

Special requests:

- None.



Version W849: black-oxide treated steel

Code	art.	d1 _{6H}	e	d	Q	g
-	W849.SBM04X10	M4	2	2.5	10	1
-	W849.SBM04X12	M4	2	2.5	12	1
-	W849.SBM04X16	M4	2	2.5	16	1
-	W849.SBM05X10	M5	2.5	3	10	1
-	W849.SBM05X12	M5	2.5	3	12	1,3
-	W849.SBM05X16	M5	2.5	3	16	1,7
-	W849.SBM05X20	M5	2.5	3	20	2
-	W849.SBM05X25	M5	2.5	3	25	2,9
-	W849.SBM06X11	M6	3	4	11	1,3
-	W849.SBM06X13	M6	3	4	13	1,8
-	W849.SBM06X17	M6	3	4	17	2,4
-	W849.SBM06X21	M6	3	4	21	3
-	W849.SBM06X26	M6	3	4	26	4
-	W849.SBM08X11	M8	4	4.5	11	3
-	W849.SBM08X13	M8	4	4.5	13	3
-	W849.SBM08X17	M8	4	4.5	17	4
-	W849.SBM08X21	M8	4	4.5	21	5
-	W849.SBM08X26	M8	4	4.5	26	7
-	W849.SBM08X31	M8	4	4.5	31	9
-	W849.SBM10X14	M10	5	7	14	5
-	W849.SBM10X18	M10	5	7	18	6
-	W849.SBM10X22	M10	5	7	22	9
-	W849.SBM10X27	M10	5	7	27	11
-	W849.SBM10X37	M10	5	7	37	16
-	W849.SBM12X18	M12	6	8.5	18	10
-	W849.SBM12X22	M12	6	8.5	22	11
-	W849.SBM12X32	M12	6	8.5	32	18
-	W849.SBM12X42	M12	6	8.5	42	21,5
-	W849.SBM16X23	M16	8	12	23	22
-	W849.SBM16X28	M16	8	12	28	28
-	W849.SBM16X38	M16	8	12	38	41
-	W849.SBM16X53	M16	8	12	53	48
-	W849.SBM20X34	M20	10	15	34	54
-	W849.SBM20X44	M20	10	15	44	74
-	W849.SBM20X64	M20	10	15	64	120

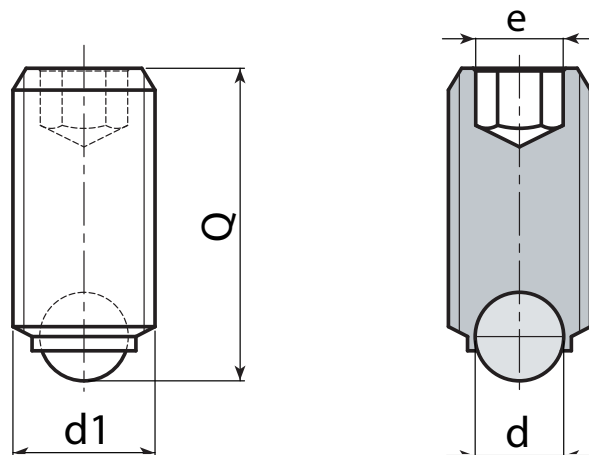
W849

THREADED STEEL GRUB SCREW WITH HEAGON SOCKET END AND STEEL BALL POINT



C40

Aisi 303



W.P Version W849CIN - stainless steel (Aisi 303)

INOX

Code	art.	d1 _{6H}	e	d	Q	g _g
-	W849.INM04X10CIN	M4	2	2.5	10	1
-	W849.INM04X12CIN	M4	2	2.5	12	1
-	W849.INM04X16CIN	M4	2	2.5	16	1
-	W849.INM05X10CIN	M5	2.5	3	10	1
-	W849.INM05X16CIN	M5	2.5	3	16	1,7
-	W849.INM05X20CIN	M5	2.5	3	20	2
-	W849.INM05X25CIN	M5	2.5	3	25	2,9
-	W849.INM06X11CIN	M6	3	4	11	1,3
-	W849.INM06X13CIN	M6	3	4	13	1,8
-	W849.INM06X17CIN	M6	3	4	17	2,4
-	W849.INM06X21CIN	M6	3	4	21	3
-	W849.INM06X26CIN	M6	3	4	26	4
-	W849.INM08X11CIN	M8	4	5.5	11	3
-	W849.INM08X13CIN	M8	4	5.5	13	3
-	W849.INM08X17CIN	M8	4	5.5	17	4
-	W849.INM08X21CIN	M8	4	5.5	21	5
-	W849.INM08X26CIN	M8	4	5.5	26	7
-	W849.INM08X31CIN	M8	4	5.5	31	9
-	W849.INM10X14CIN	M10	5	7	14	5
-	W849.INM10X18CIN	M10	5	7	18	6
-	W849.INM10X22CIN	M10	5	7	22	9
-	W849.INM10X27CIN	M10	5	7	27	11
-	W849.INM10X37CIN	M10	5	7	37	16
-	W849.INM12X18CIN	M12	6	8.5	18	10
-	W849.INM12X22CIN	M12	6	8.5	22	11
-	W849.INM12X32CIN	M12	6	8.5	32	18
-	W849.INM12X42CIN	M12	6	8.5	42	21,5