

W848



THREADED STEEL GRUB SCREW WITH HEAGON SOCKET END AND PLASTIC BALL POINT

Materials:

W848:

Steel grub screw body with strength class 10.9.

W848CIN:

Stainless steel grub screw body (Aisi 303).

Surface finish:

Smooth.

Colour:

W849:

Black-oxide treated.

W849CIN:

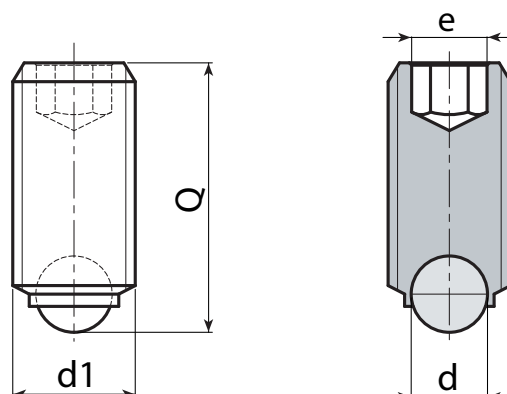
Natural.

Ball:

White plastic ball (POM - Delrin).

Special requests:

- None.



Version W848: black-oxide treated steel

W.P

Code	art.	d1 _{6g}	e	d	Q	g
-	W848.SBM04X10	M4	2	2.5	10	1
-	W848.SBM04X12	M4	2	2.5	12	1
-	W848.SBM04X16	M4	2	2.5	16	1
-	W848.SBM05X10	M5	2.5	3	10	1
-	W848.SBM05X16	M5	2.5	3	16	1,7
-	W848.SBM05X20	M5	2.5	3	20	2
-	W848.SBM05X25	M5	2.5	3	25	2,9
-	W848.SBM06X11	M6	3	4	11	1,3
-	W848.SBM06X13	M6	3	4	13	1,8
-	W848.SBM06X17	M6	3	4	17	2,4
-	W848.SBM06X21	M6	3	4	21	3
-	W848.SBM06X26	M6	3	4	26	4
-	W848.SBM08X11	M8	4	5.5	11	3
-	W848.SBM08X13	M8	4	5.5	13	3
-	W848.SBM08X17	M8	4	5.5	17	4
-	W848.SBM08X21	M8	4	5.5	21	5
-	W848.SBM08X26	M8	4	5.5	26	7
-	W848.SBM08X31	M8	4	5.5	31	9
-	W848.SBM10X14	M10	5	7	14	5
-	W848.SBM10X18	M10	5	7	18	6
-	W848.SBM10X22	M10	5	7	22	9
-	W848.SBM10X27	M10	5	7	27	11
-	W848.SBM10X37	M10	5	7	37	16
-	W848.SBM12X18	M12	6	8.5	18	10
-	W848.SBM12X22	M12	6	8.5	22	11
-	W848.SBM12X32	M12	6	8.5	32	18
-	W848.SBM12X42	M12	6	8.5	42	22

W848



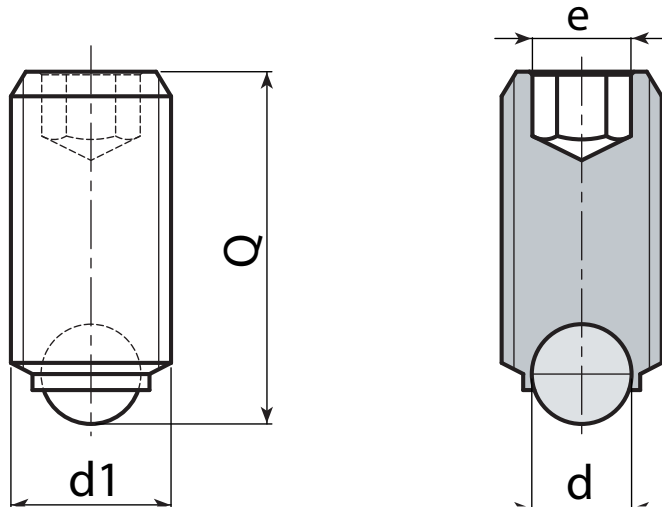
POM

C40

Aisi 303



THREADED STEEL GRUB SCREW WITH HEAGON SOCKET END AND PLASTIC BALL POINT



W.P

Version W848 CIN - stainless steel (Aisi 303).

INOX

Code	art.	d1 _g	e	d	Q	g _g
-	W848.INM04X10CIN	M4	2	2.5	10	1
-	W848.INM04X12CIN	M4	2	2.5	12	1
-	W848.INM04X16CIN	M4	2	2.5	16	1
-	W848.INM05X10CIN	M5	2.5	3	10	1
-	W848.INM05X16CIN	M5	2.5	3	16	1,7
-	W848.INM05X20CIN	M5	2.5	3	20	2
-	W848.INM05X25CIN	M5	2.5	3	25	2,9
-	W848.INM06X11CIN	M6	3	4	11	1,3
-	W848.INM06X13CIN	M6	3	4	13	1,8
-	W848.INM06X17CIN	M6	3	4	17	2,4
-	W848.INM06X21CIN	M6	3	4	21	3
-	W848.INM06X26CIN	M6	3	4	26	4
-	W848.INM08X11CIN	M8	4	5,5	11	3
-	W848.INM08X13CIN	M8	4	5,5	13	3
-	W848.INM08X17CIN	M8	4	5,5	17	4
-	W848.INM08X21CIN	M8	4	5,5	21	5
-	W848.INM08X26CIN	M8	4	5,5	26	7
-	W848.INM08X31CIN	M8	4	5,5	31	9