

# W842



C40

Aisi 303

POM



## THREADED STEEL SPRING PLUNGER WITH GRUB SCREW AND PLASTIC NOSE PIN

### Materials:

#### W840:

Steel plunger body with property class 5.8.

#### W840CIN:

Stainless steel plunger body (Aisi 303).

### Surface finish:

Smooth.

### Colour:

#### W840:

Black-oxide treated.

#### W840CIN:

Natural.

### Nose pin:

#### W840:

(1) Turned hardened and black-oxide treated steel nose pin.

#### W840CIN:

(1) Turned stainless steel nose pin (Aisi 303).

### Spring:

#### W840:

(3) Harmonic steel spring.

#### W840CIN:

(3) Stainless steel spring (Aisi 301).

### Grub screw:

#### W840:

(2) Black-oxide treated steel grub screw with hexagon socket head (attention: the grub screw is glued in place).

#### W840CIN:

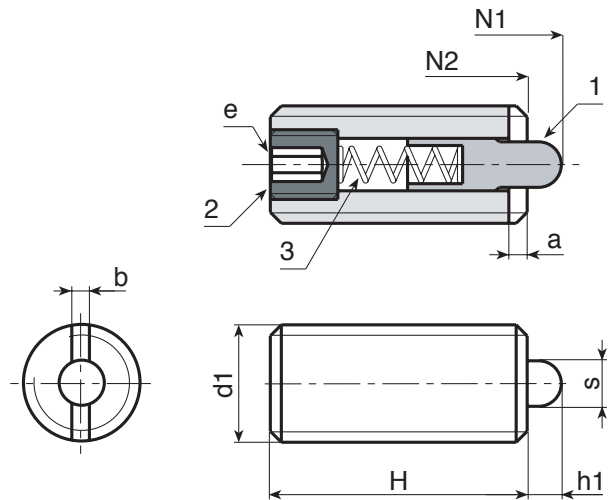
(2) Stainless steel grub screw (Aisi 303) with hexagon socket head (attention: the grub screw is glued in place).

### Type of spring thrust:

Normal.

### Special requests:

- None.



### Version W842: black-oxide treated steel

Code	art.	s	H	h1	e	a	b	N1 (N)	N2 (N)	d1 <sub>6H</sub>	g
-	W842.VBM04	1.5	15	1.5	1.3	0.6	0.6	5	16	M4	0.8
-	W842.VBM05	2.4	18	2.3	1.5	0.8	0.8	6	20	M5	1.3
-	W842.VBM06	2.7	20	2.5	2	1	1	7	20	M6	2.5
-	W842.VBM08	3.5	22	3	2.5	1.4	1.2	9	35	M8	6
-	W842.VBM10	4	22	3	3	1.4	1.6	9	35	M10	9
-	W842.VBM12	6	28	4	4	2	2	10	55	M12	16
-	W842.VBM16	7.5	32	5	5	2.5	2.5	45	100	M16	35

### Version W842CIN - stainless steel (Aisi 303)

INOX

Code	art.	s	H	h1	e	a	b	N1 (N)	N2 (N)	d1 <sub>6H</sub>	g
-	W842.INM04CIN	1.5	15	1.5	1.3	0.6	0.6	5	16	M4	0.8
-	W842.INM05CIN	2.4	18	2.3	1.5	0.8	0.8	6	20	M5	1.3
-	W842.INM06CIN	2.7	20	2.5	2	1	1	7	20	M6	2.5
-	W842.INM08CIN	3.5	22	3	2.5	1.4	1.2	9	35	M8	6
-	W842.INM10CIN	4	22	3	3	1.4	1.6	9	35	M10	9
-	W842.INM12CIN	6	28	4	4	2	2	10	55	M12	16
-	W842.INM16CIN	7.5	32	5	5	2.5	2.5	45	100	M16	35