

# W835



## THREADED STEEL SPRING PLUNGER WITH HEXAGON SOCKET END STRONGER THRUST

### Materials:

#### W835:

Steel plunger body with property class 5.8.

#### W835CIN:

Stainless steel plunger body (Aisi 303).

### Surface finish:

Smooth.

### Colour:

#### W835:

Black-oxide treated.

#### W835CIN:

Natural.

### Ball:

Hardened stainless steel ball (bearing type) (Aisi 420).

### Spring:

#### W835:

Harmonic steel spring.

#### W835CIN:

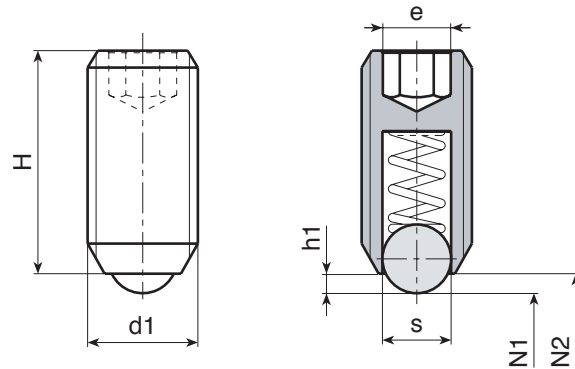
Stainless steel spring (Aisi 301).

### Type of spring thrust:

Stronger.

### Special requests:

- None.



### Version W835: black-oxide treated steel

Code	art.	s	H	h1	N1 (N)	N2 (N)	d1 <sub>6H</sub>	g
-	W835.VBM03	1.5	9	0.5	12	22	M4	0.2
-	W835.VBM04	2.5	10	0.8	12	22	M4	0.4
-	W835.VBM05	3	14	0.9	19	30	M5	1.2
-	W835.VBM06	3.5	15	1	28	40	M6	2
-	W835.VBM08	5	18	1.5	47	73	M8	4
-	W835.VBM10	6	23	2	66	100	M10	8
-	W835.VBM12	8	26	2.5	66	120	M12	12
-	W835.VBM16	10	33	3.5	90	180	M16	31
-	W835.VBM20	12	43	4.5	115	240	M20	64
-	W835.VBM24	15	48	5.5	130	270	M24	100

### Version W835CIN - stainless steel (Aisi 303)

INOX

Code	art.	s	H	h1	N1 (N)	N2 (N)	d1 <sub>6H</sub>	g
-	W835.INM03CIN	1.5	9	0.5	12	22	M3	0.2
-	W835.INM04CIN	2.5	10	0.8	12	22	M4	0.4
-	W835.INM05CIN	3	14	0.9	12	30	M5	1.2
-	W835.INM06CIN	3.5	15	1	28	40	M6	2
-	W835.INM08CIN	5	18	1.5	47	73	M8	4
-	W835.INM10CIN	6	23	2	66	100	M10	8
-	W835.INM12CIN	8	26	2.5	66	120	M12	12
-	W835.INM16CIN	10	33	3.5	90	180	M16	31
-	W835.INM20CIN	12	43	4.5	115	240	M20	64
-	W835.INM24CIN	15	48	5.5	130	270	M24	100