

W834



C40

Aisi 303



THREADED STEEL SPRING PLUNGER WITH HEXAGON SOCKET END

Materials:

W834:

Steel plunger body with property class 5.8.

W834CIN:

Stainless steel plunger body (Aisi 303).

Surface finish:

Smooth.

Colour:

W834:

Black-oxide treated.

W834CIN:

Natural.

Ball:

Hardened stainless steel ball (bearing type) (Aisi 420).

Spring:

W834:

Harmonic steel spring.

W834CIN:

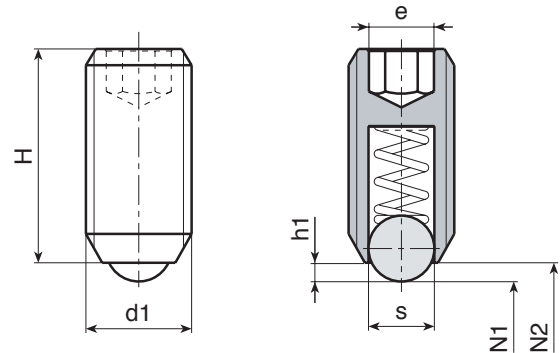
Stainless steel spring (Aisi 301).

Type of spring thrust:

Normal.

Special requests:

- None.



Version W834: black-oxide treated steel

Code	art.	s	H	h1	N1 (N)	N2 (N)	d1 _{6H}	g
-	W834.VBM03	1.5	9	0.5	1.5	3	M3	0.2
-	W834.VBM04	2.5	10	0.8	4	10	M4	0.4
-	W834.VBM05	3	14	0.9	6	11	M5	1.2
-	W834.VBM06	3.5	15	1	9	13	M6	2
-	W834.VBM08	5	18	1.5	15	30	M8	4
-	W834.VBM10	6	23	2	20	35	M10	8
-	W834.VBM12	8	26	2.5	30	55	M12	12
-	W834.VBM16	10	33	3.5	65	125	M16	31
-	W834.VBM20	12	43	4.5	80	160	M20	64
-	W834.VBM24	15	48	5.5	90	180	M24	100

Version W834CIN - stainless steel (Aisi 303)

INOX

Code	art.	s	H	h1	N1 (N)	N2 (N)	d1 _{6H}	g
-	W834.INM03CIN	1.5	9	0.5	1.5	3	M3	0.2
-	W834.INM04CIN	2.5	10	0.8	4	10	M4	0.4
-	W834.INM05CIN	3	14	0.9	6	11	M5	1.2
-	W834.INM06CIN	3.5	15	1	9	13	M6	2
-	W834.INM08CIN	5	18	1.5	15	30	M8	4
-	W834.INM10CIN	6	23	2	20	35	M10	8
-	W834.INM12CIN	8	26	2.5	30	55	M12	12
-	W834.INM16CIN	10	33	3.5	65	125	M16	31
-	W834.INM20CIN	12	43	4.5	80	160	M20	64
-	W834.INM24CIN	15	48	5.5	90	180	M24	100