

W833



THREADED STEEL SPRING PLUNGER WITH SLOTTED END AND NOSE PIN - STRONGER THRUST

Materials:

W833:

Steel plunger body with property class 5.8.

W833CIN:

Stainless steel plunger body (Aisi 303).

Surface finish:

Smooth.

Colour:

W833:

Black-oxide treated.

W833CIN:

Natural.

Nose pin:

W833:

Turned hardened and black-oxide treated steel nose pin.

W833CIN:

Turned stainless steel nose pin (Aisi 303).

Spring:

W833:

Harmonic steel spring.

W833CIN:

Stainless steel spring (Aisi 301).

Type of spring thrust:

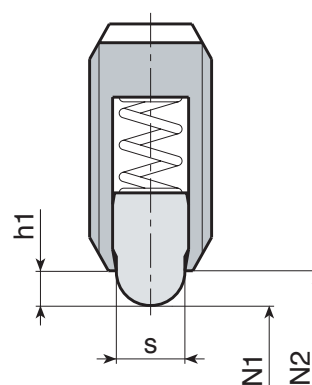
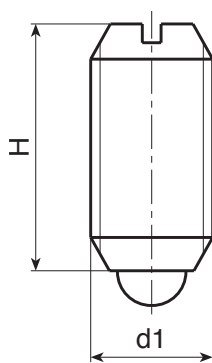
Stronger.

Special requests:

- None.



W.P



Version W833: black-oxide treated steel

Code	art.	s	H	h1	N1 (N)	N2 (N)	d1 _{6H}	g
-	W833.VBM05	2.4	12	2	9	25	M5	1
-	W833.VBM06	2.7	14	2	11	25	M6	1.7
-	W833.VBM08	4	16	2	22	43	M8	4
-	W833.VBM10	4.5	19	2.5	20	54	M10	7
-	W833.VBM12	6	22	3.5	36	94	M12	13
-	W833.VBM16	8.5	24	4.5	60	110	M16	24

Version W833 CIN - stainless steel (Aisi 303).

INOX

Code	art.	s	H	h1	N1 (N)	N2 (N)	d1 _{6H}	g
-	W833.INM05CIN	2.4	12	2	9	25	M5	1
-	W833.INM06CIN	2.7	14	2	11	25	M6	1.7
-	W833.INM08CIN	4	16	2	22	43	M8	4
-	W833.INM10CIN	4.5	19	2.5	20	54	M10	7
-	W833.INM12CIN	6	22	3.5	36	94	M12	13
-	W833.INM16CIN	8.5	24	4.5	60	110	M16	24