

# W832



C40

Aisi 303



## THREADED STEEL SPRING PLUNGER WITH SLOTTED END AND NOSE PIN

### Materials:

#### W832:

Steel plunger body with property class 5.8.

#### W832CIN:

Stainless steel plunger body (Aisi 303).

### Surface finish:

Smooth.

### Colour:

#### W832:

Black-oxide treated.

#### W832CIN:

Natural.

### Nose pin:

#### W832:

Turned hardened and black-oxide treated steel nose pin.

#### W832CIN:

Turned stainless steel nose pin (Aisi 303).

### Spring:

#### W832:

Harmonic steel spring.

#### W832CIN:

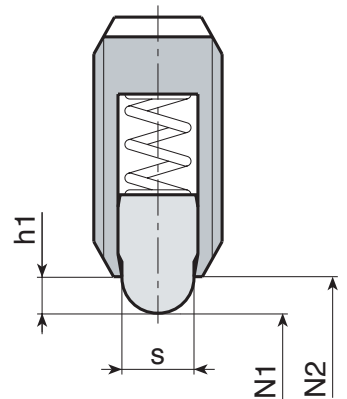
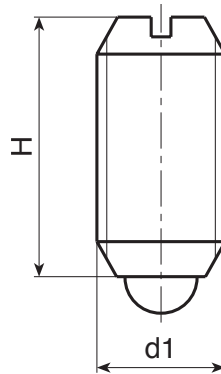
Stainless steel spring (Aisi 301).

### Type of spring thrust:

Normal.

### Special requests:

- None.



### Version W832: black-oxide treated steel

Code	art.	s	H	h1	N1 (N)	N2 (N)	d1 <sub>6H</sub>	g
-	W832.VBM04	1.8	9	1.5	6	20	M4	0.5
-	W832.VBM05	2.4	12	2	6	20	M5	1
-	W832.VBM06	2.7	14	2	7	20	M6	1.7
-	W832.VBM08	4	16	2	15	30	M8	4
-	W832.VBM10	4.5	19	2.5	20	35	M10	7
-	W832.VBM12	6	22	3.5	30	55	M12	13
-	W832.VBM16	8.5	24	4.5	45	100	M16	24
-	W832.VBM20	10	30	6.5	60	120	M20	46

### Version W832CIN - stainless steel (Aisi 303)

INOX

Code	art.	s	H	h1	N1 (N)	N2 (N)	d1 <sub>6H</sub>	g
-	W832.INM04CIN	1.8	9	1.5	6	20	M4	0.5
-	W832.INM05CIN	2.4	12	2	6	20	M5	1
-	W832.INM06CIN	2.7	14	2	7	20	M6	1.7
-	W832.INM08CIN	4	16	2	15	30	M8	4
-	W832.INM10CIN	4.5	19	2.5	20	35	M10	7
-	W832.INM12CIN	6	22	3.5	30	55	M12	13
-	W832.INM16CIN	8.5	24	4.5	45	100	M16	24
-	W832.INM20CIN	10	30	6.5	60	120	M20	46