

W831



THREADED STEEL SPRING PLUNGER WITH SLOTTED END - STRONGER THRUST

Materials:

W831:

Steel plunger body with property class 5.8.

W831CIN:

Stainless steel plunger body (Aisi 303).

Surface finish:

Smooth.

Colour:

W831:

Black-oxide treated.

W831CIN:

Natural.

Ball:

Hardened stainless steel ball (bearing type) (Aisi 420).

Spring:

W831:

Harmonic steel spring.

W831CIN:

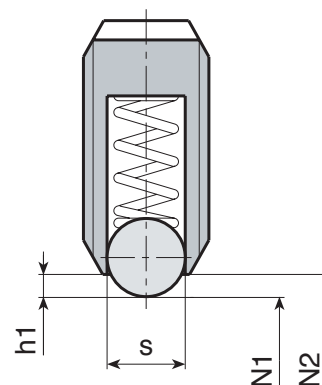
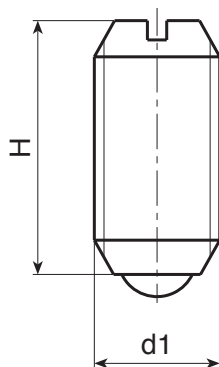
Stainless steel spring (Aisi 301).

Type of spring thrust:

Stronger.

Special requests:

- None.



Version W831: black-oxide treated steel

Code	art.	s	H	h1	N1 (N)	N2 (N)	d1 _{6H}	g
-	W831.VBM04	2.5	9	0.8	12	22	M4	0.4
-	W831.VBM05	3	12	0.9	19	30	M5	0.9
-	W831.VBM06	3.5	14	1	28	40	M6	1.5
-	W831.VBM08	5	16	1.5	47	73	M8	3.5
-	W831.VBM10	6	19	2	66	100	M10	6.5
-	W831.VBM12	8	22	2.5	66	120	M12	10
-	W831.VBM16	10	24	3.5	90	180	M16	24
-	W831.VBM20	12	30	4.5	115	240	M20	44

Version W831CIN - stainless steel (Aisi 303)

INOX

Code	art.	s	H	h1	N1 (N)	N2 (N)	d1 _{6H}	g
-	W831.INM04CIN	2.5	9	0.8	12	22	M4	0.4
-	W831.INM05CIN	3	12	0.9	19	30	M5	0.9
-	W831.INM06CIN	3.5	14	1	28	40	M6	1.5
-	W831.INM08CIN	5	16	1.5	47	73	M8	3.5
-	W831.INM10CIN	6	19	2	66	100	M10	6.5
-	W831.INM12CIN	8	22	2.5	66	120	M12	10
-	W831.INM16CIN	10	24	3.5	90	180	M16	24
-	W831.INM20CIN	12	30	4.5	115	240	M20	44