

# W811



## KNOB WITH LOCKING STEEL INDEXING PLUNGER - WITH LOCK NUT

### Materials:

- (3) Stainless steel spring (Aisi 301).
- (4) Reinforced polyamide lobed knob. Cannot be disassembled. Resistant to oils and greases.

### W811:

- (2) Threaded high-resistance steel hexagon ring nut.
- (1) Hardened high resistance steel plunger pin.
- (5) Threaded steel lock nut (UNI 5589).

### W811 CIN:

- (2) Threaded stainless steel hexagon ring nut (Aisi 303).
- (1) Stainless steel plunger pin (Aisi 303).
- (5) Threaded stainless steel lock nut (Aisi 304) (UNI 5589).

### Surface finish:

- (4) Satin.
- (1-2-5) Smooth.

### Colour:

- (4) Black (RAL 9011).

### W811:

- (1-2-5) Black-oxide treated.

### W811 CIN:

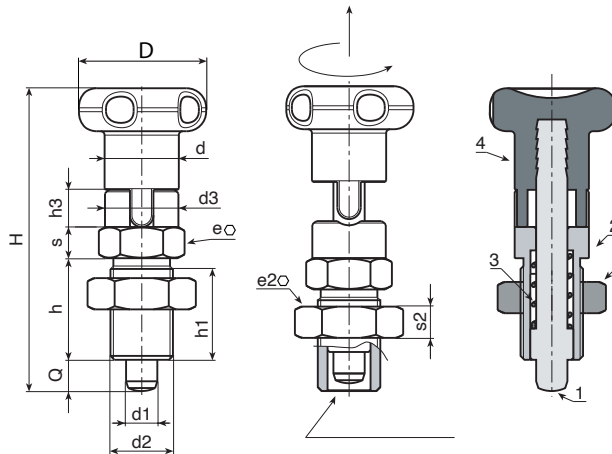
- (1-2-5) Natural.

### ATTENTION:

- > We recommend an H7 tolerance for the plunger stem bore.
- > The nut is supplied assembled.

### Special Requests:

- On request and for special quantities the knob can be supplied in the colours indicated in the table [page ].
- On request the nut can be supplied disassembled.



### Version W811 - black-oxide treated steel

Code	Art.	D	H	h	h1	h3	d3	d2	d	e	s	e2	s2	d1 -0,02 -0,04	Q	g
-	W811.Q0501	22	51.5	17	15	6.5	11.8	M10x1	12	12	5	17	6	5	5	29
-	W811.Q0601	27	61.5	20	18	7.5	13.8	M12x1,5	14	14	6	19	7	6	6	47
-	W811.Q0801	33	77.5	26	23	9.5	18.8	M16x1,5	19	19	8	24	8	8	8	105
-	W811.Q1001	33	90.5	33	30	11.5	18.8	M20x1,5	19	22	10	30	9	10	10	172

### Version W811 CIN - stainless steel (Aisi 303)

INOX

Code	Art.	D	H	h	h1	h3	d3	d2	d	e	s	e2	s2	d1 -0,02 -0,04	Q	g
-	W811.I0501CIN	22	51.5	17	15	6.5	11.8	M10x1	12	12	5	17	6	5	5	29
-	W811.I0601CIN	27	61.5	20	18	7.5	13.8	M12x1,5	14	14	6	19	7	6	6	47
-	W811.I0801CIN	33	77.5	26	23	9.5	18.8	M16x1,5	19	19	8	24	8	8	8	105
-	W811.I1001CIN	33	90.5	33	30	11.5	18.8	M20x1,5	19	22	10	30	9	10	10	172