

W806



KNOB WITH SMOOTH WELDABLE BLACK OXIDE TREATED STEEL PLUNGER

Materials:

(4) Reinforced polyamide lobed knob.
Resistant to oils and greases.

Surface finish:

(4) Satin.
(1-2) Smooth.

Colour:

(4) Black (RAL 9011).
(1-2) Black-oxide treated.

Inserts:

(3) Galvanised steel spring.
(2) Smooth bored body in weldable steel.
(1) Hardened high resistance steel plunger pin.

ATTENTION:

> We recommend an H7 tolerance for the plunger stem bore.

Special Requests:

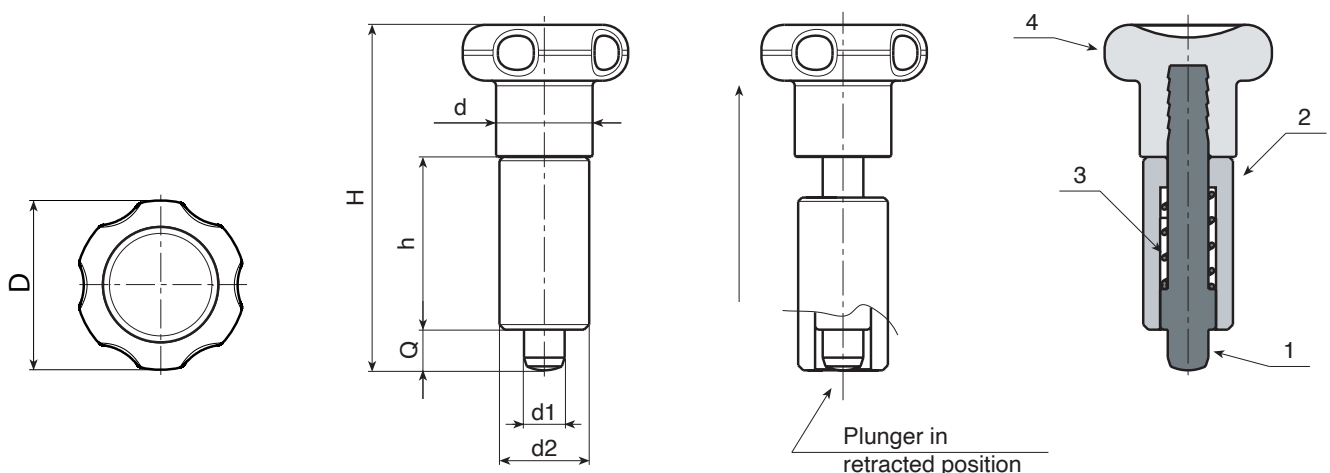
- On request and for special quantities the knob can be supplied in the colours indicated in the table [page].

ATTENTION:

To avoid problems when welding the steel body to the machinery, the plastic knob is supplied disassembled. Screw in the knob once the part has cooled down.



W.S



Code	Art.	D	H	h	d2	d	d1 -0,02 -0,04	Q	g
-	W806.Q0501	22	45	22	12	12	5	5	23
-	W806.Q0601	27	54	26	14	14	6	6	40
-	W806.Q0801	33	68	34	18	19	8	8	84