

W803

STEEL INDEXING PLUNGER WITH LOCK NUT



Materials:

(3) Stainless steel spring (Aisi 301).

W803:

(2) Threaded high-resistance steel hexagon ring nut.

(1) Hardened high resistance steel plunger pin.

(4) Threaded steel lock nut (UNI 5589).

W803CIN:

(2) Threaded stainless steel hexagon ring nut (Aisi 303).

(1) Stainless steel plunger pin (Aisi 303).

(4) Threaded stainless steel lock nut (Aisi 304) (UNI 5589).

Surface finish:

Smooth.

Colour:

W803: Black-oxide treated.

W803CIN: Natural.

ATTENTION:

> We recommend an H7 tolerance for the plunger stem bore.

> The nut is supplied assembled.

Special Requests:

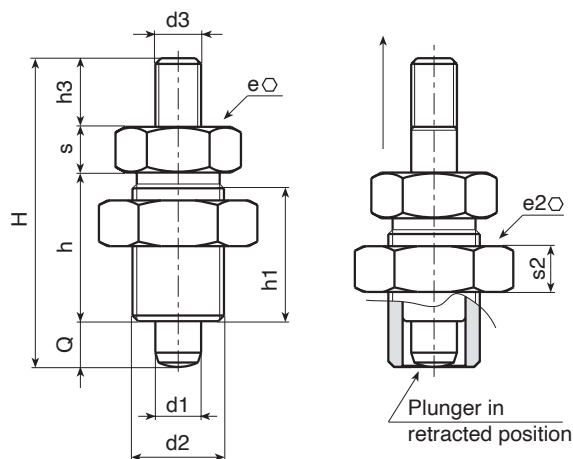
- On request the nut can be supplied disassembled.

Note:

This plunger version can be coupled with any hanwheel with threaded insert, to be ordered separately (see additional pictures).



W802+G730



Version W803 - black-oxide treated steel

Code	Art.	H	h	h1	d2	d3	h3	e	s	e2	s2	d1 -0,02 -0,04	Q	g
-	W803.R05	33	17	15	M10x1	M04	6	12	5	17	6	5	5	20
-	W803010.R05M05	33	17	15	M10x1	M05	6	12	5	17	6	5	5	20
-	W803.R06	42	20	18	M12x1,5	M05	10	14	6	19	7	6	6	32
-	W803012.R06M06	42	20	18	M12x1,5	M06	10	14	6	19	7	6	6	32
-	W803.R08	54	26	23	M16x1,5	M08	12	19	8	24	8	8	8	62
-	W803.R10	65	33	30	M20x1,5	M10	12	22	10	30	9	10	10	134
-	W803020.R10M08	65	33	30	M20x1,5	M08	12	22	10	30	9	10	10	134

Version W803 CIN - stainless steel (Aisi 303)

INOX

Code	Art.	H	h	h1	d2	d3	h3	e	s	e2	s2	d1 -0,02 -0,04	Q	g
-	W803.I05CIN	33	17	15	M10x1	M04	6	12	5	17	6	5	5	20
-	W803010.I05M05CIN	33	17	15	M10x1	M05	6	12	5	17	6	5	5	20
-	W803.I06CIN	42	20	18	M12x1,5	M05	10	14	6	19	7	6	6	32
-	W803012.I06M06CIN	42	20	18	M12x1,5	M06	10	14	6	19	7	6	6	32
-	W803.I08CIN	54	26	23	M16x1,5	M08	12	19	8	24	8	8	8	62
-	W803.I10CIN	65	33	30	M20x1,5	M10	12	22	10	30	9	10	10	134
-	W803020.I10M08CIN	65	33	30	M20x1,5	M08	12	22	10	30	9	10	10	134