

W802

STEEL INDEXING PLUNGER



Materials:

(3) Stainless steel spring (Aisi 301).

W802:

(2) Threaded high-resistance steel hexagon ring nut.

(1) Hardened high resistance steel plunger pin.

W802CIN:

(2) Threaded stainless steel hexagon ring nut (Aisi 303).

(1) Stainless steel plunger pin (Aisi 303).

Surface finish:

Smooth.

Colour:

W802: Black-oxide treated.

W802CIN: Natural.

ATTENTION:

> We recommend an H7 tolerance for the plunger stem bore.

Special Requests:

- None.

Note:

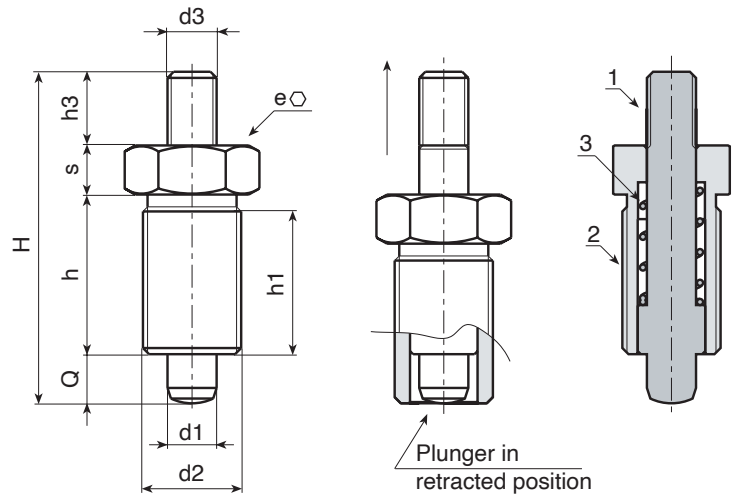
This plunger version can be coupled with any hanwheel with threaded insert, to be ordered separately (see additional pictures).



W802+F186



W802+H765



Version W802 - black-oxide treated steel

Code	Art.	H	h	h1	d2	d3	h3	e	s	d1 -0,02 -0,04	Q	g
-	W802.R05	33	17	15	M10x1	M04	6	12	5	5	5	13
-	W802010.R05M05	33	17	15	M10x1	M05	6	12	5	5	5	13
-	W802.R06	42	20	18	M12x1,5	M05	10	14	6	6	6	22
-	W802012.R06M06	42	20	18	M12x1,5	M06	10	14	6	6	6	22
-	W802.R08	54	26	23	M16x1,5	M08	12	19	8	8	8	54
-	W802.R10	65	33	30	M20x1,5	M10	12	22	10	10	10	104
-	W802020.R10M08	65	33	30	M20x1,5	M08	12	22	10	10	10	104

Version W802 CIN - stainless steel (Aisi 303)



Code	Art.	H	h	h1	d2	d3	h3	e	s	d1 -0,02 -0,04	Q	g
-	W802.i05CIN	33	17	15	M10x1	M04	6	12	5	5	5	13
-	W802010.i05M05CIN	33	17	15	M10x1	M05	6	12	5	5	5	13
-	W802.i06CIN	42	20	18	M12x1,5	M05	10	14	6	6	6	22
-	W802012.i06M06CIN	42	20	18	M12x1,5	M06	10	14	6	6	6	22
-	W802.i08CIN	54	26	23	M16x1,5	M08	12	19	8	8	8	54
-	W802.i10CIN	65	33	30	M20x1,5	M10	12	22	10	10	10	104
-	W802020.i10M08CIN	65	33	30	M20x1,5	M08	12	22	10	10	10	104