

W701

T-LEVER WITH FIXED HANDLE AND THREADED HOLE



Materials:
Steel with strength class 5.8.

Surface finish:
Turned with low roughness.

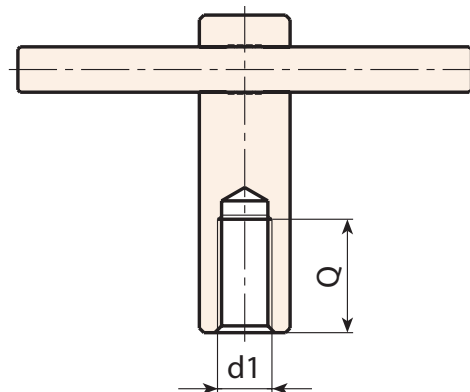
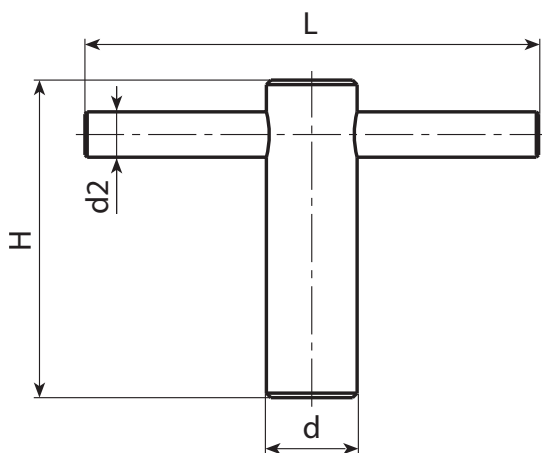
Colour:
Black-oxide treatment.

Handle fixing method:
Push-fit. Neither movable, nor removable.

Hole:
Female threaded hole machined from solid metal (thread tolerance 6H).

Special Requests:

- Upon request and for special quantities levers can be supplied on customer's drawing with hole diameter d1.
- Upon request and for special quantities levers can be supplied on customer's drawing with different surface treatments.



Code	art.	d	L	H	d2	d16H	Q	
W701085.0001	W701085.VM10	18	85	62	8	M10	25	145
W701105.0001	W701105.VM12	20	105	72	10	M12	30	208
W701125.0001	W701125.VM16	24	125	87	12	M16	40	330
W701145.0001	W701145.VM20	30	145	97	16	M20	45	573