

W700



T-LEVER WITH MOVABLE HANDLE AND THREADED HOLE

Materials:

Steel with strength class 5.8.

Surface finish:

Turned with low roughness.

Colour:

Black-oxide treatment.

Inserts:

- (1) Half-moon shaped ring for black-oxide harmonic steel shafts (UNI 7434 type H).
- (2) Galvanised steel spring.
- (3) Galvanised steel ball 7/32.

Handle:

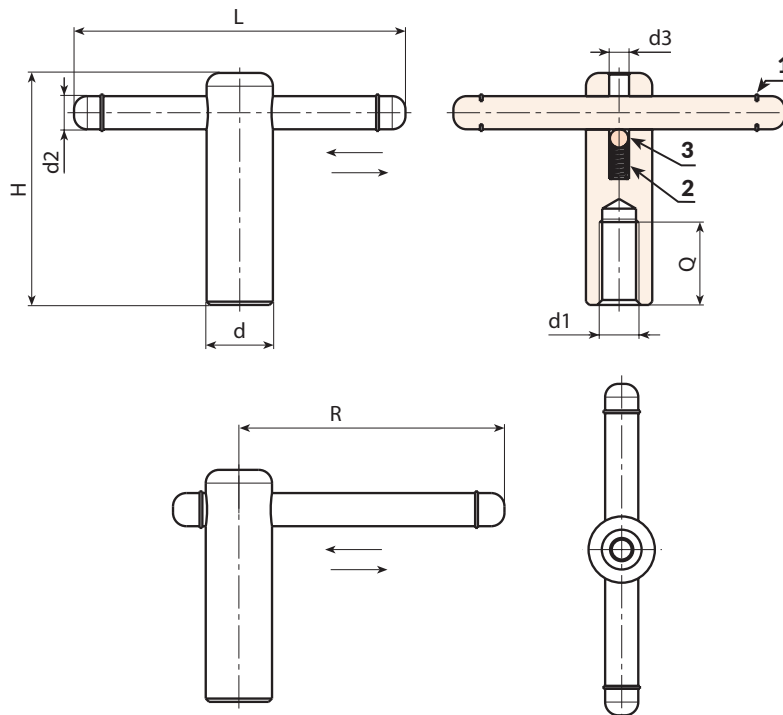
Movable handle locked at stroke end by retaining rings.

Hole:

Female threaded hole machined from solid metal (thread tolerance 6H).

Special Requests:

- Upon request and for special quantities levers can be supplied on customer's drawing with hole diameter d1.
- Upon request and for special quantities levers can be supplied on customer's drawing with different surface treatments.



Code	Art.	d	L	H	R	d2	d3	d16H	Q	
W700085.0001	W700085.VM10	18	85	62	71	8	6	M10	25	143
W700105.0001	W700105.VM12	20	105	72	86.5	10	6	M12	30	207
W700125.0001	W700125.VM16	24	125	87	104,5	12	6	M16	40	328
W700145.0001	W700145.VM20	30	145	97	121	16	6	M20	45	570