

W634CIN



SNELKOPPELENDE VERGRENDELPEN VOLLEDIG IN RVS

INOX

Materiaal:

- (1) Gedraaid lichaam in RVS (AISI 303).
- (2) Gedraaide pen in RVS (AISI 303).
- (3) Veer in RVS (AISI 301).
- (4) Kogels in gehard RVS (AISI 440C).

Oppervlak:

Natuurlijk.

Kleur:

Natuurlijk.

OPGELET:

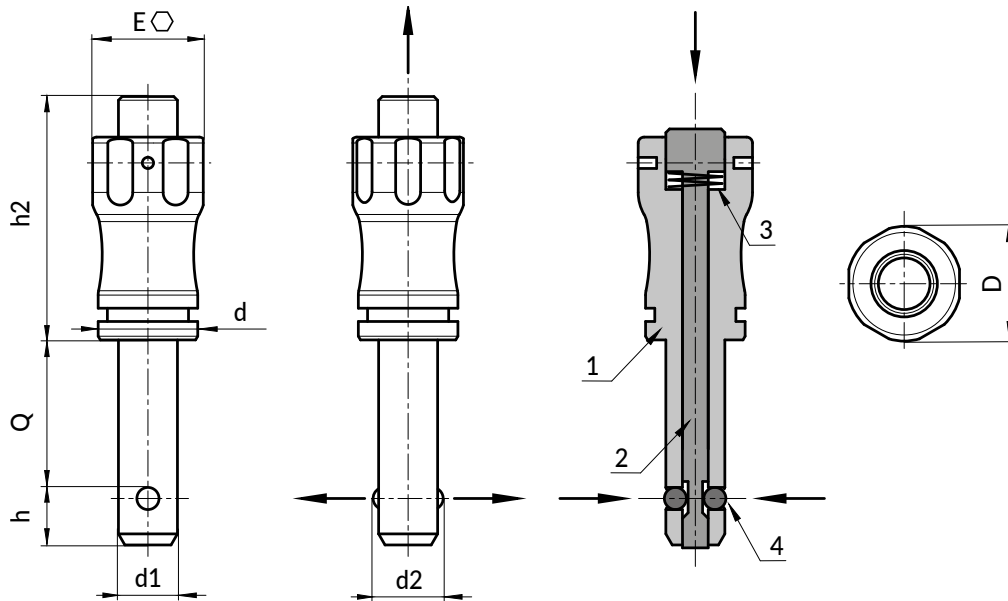
> Wij raden een tolerantie van H11 aan voor de boring van de zitting van de blokkeerboutstang.

Opmerkingen:

De bevestigingspen zorgt voor snelkoppeling van de te bewerken onderdelen of werkstukken.

Speciale verzoeken:

- Geen.



Versie W634CIN: zonder ring

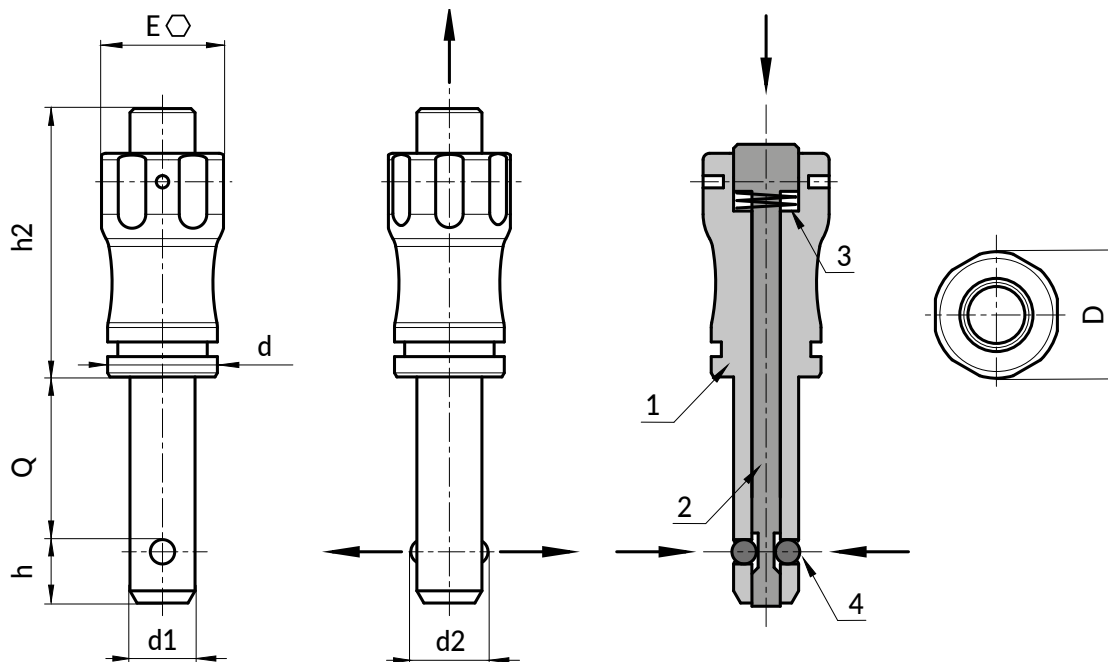
Code	Art.	D	d	d2	E	h	h2	d1H9	Q(+0.6)	g	
-	W634011.HD05X10CIN	11.5	10	5.5	11	5.9	25	5	10	12	15
-	W634011.HD05X15CIN	11.5	10	5.5	11	5.9	25	5	15	12	15
-	W634011.HD05X20CIN	11.5	10	5.5	11	5.9	25	5	20	13	15
-	W634011.HD05X25CIN	11.5	10	5.5	11	5.9	25	5	25	16	15
-	W634011.HD05X30CIN	11.5	10	5.5	11	5.9	25	5	30	19	15
-	W634011.HD06X10CIN	11.5	10	6.85	11	6.8	25	6	10	13	22
-	W634011.HD06X15CIN	11.5	10	6.85	11	6.8	25	6	15	13	22
-	W634011.HD06X20CIN	11.5	10	6.85	11	6.8	25	6	20	13.5	22
-	W634011.HD06X25CIN	11.5	10	6.85	11	6.8	25	6	25	14	22

W634CIN

SNELKOPPELENDE VERGRENDelpEN VOLLEDIG IN RVS



INOX



Code	Art.	D	d	d2	E	h	h2	d1 _{H9}	Q _(+0.6)	g	
-	W634011.HD06X30CIN	11.5	10	6.85	11	6.8	25	6	30	14.5	22
-	W634011.HD06X35CIN	11.5	10	6.85	11	6.8	25	6	35	17.5	22
-	W634011.HD06X40CIN	11.5	10	6.85	11	6.8	25	6	40	21	22
-	W634011.HD06X45CIN	11.5	10	6.85	11	6.8	25	6	45	23	22
-	W634011.HD06X50CIN	11.5	10	6.85	11	6.8	25	6	50	26	22
-	W634015.HD08X20CIN	15.5	13.5	9.5	15	7.8	33	8	20	26	38
-	W634015.HD08X25CIN	15.5	13.5	9.5	15	7.8	33	8	25	27	38
-	W634015.HD08X30CIN	15.5	13.5	9.5	15	7.8	33	8	30	27.5	38
-	W634015.HD08X35CIN	15.5	13.5	9.5	15	7.8	33	8	35	28	38
-	W634015.HD08X40CIN	15.5	13.5	9.5	15	7.8	33	8	40	28.5	38
-	W634015.HD08X45CIN	15.5	13.5	9.5	15	7.8	33	8	45	28.5	38
-	W634015.HD08X50CIN	15.5	13.5	9.5	15	7.8	33	8	50	30	38
-	W634015.HD10X20CIN	15.5	13.5	12	15	8.9	33	10	20	27.5	60
-	W634015.HD10X25CIN	15.5	13.5	12	15	8.9	33	10	25	28	60
-	W634015.HD10X30CIN	15.5	13.5	12	15	8.9	33	10	30	28.5	60
-	W634015.HD10X35CIN	15.5	13.5	12	15	8.9	33	10	35	29	60
-	W634015.HD10X40CIN	15.5	13.5	12	15	8.9	33	10	40	29.5	60
-	W634015.HD10X45CIN	15.5	13.5	12	15	8.9	33	10	45	30	60
-	W634015.HD10X50CIN	15.5	13.5	12	15	8.9	33	10	50	30.5	60
-	W634015.HD10X60CIN	15.5	13.5	12	15	8.9	33	10	60	31.5	60
-	W634022.HD12X25CIN	22	20	14.5	21	9.9	39.5	12	25	62.5	86
-	W634022.HD12X30CIN	22	20	14.5	21	9.9	39.5	12	30	63.5	86
-	W634022.HD12X35CIN	22	20	14.5	21	9.9	39.5	12	35	64.5	86
-	W634022.HD12X40CIN	22	20	14.5	21	9.9	39.5	12	40	65.5	86
-	W634022.HD12X45CIN	22	20	14.5	21	9.9	39.5	12	45	66	86
-	W634022.HD12X50CIN	22	20	14.5	21	9.9	39.5	12	50	75.5	86
-	W634022.HD12X60CIN	22	20	14.5	21	9.9	39.5	12	60	77.5	86
-	W634022.HD12X70CIN	22	20	14.5	21	9.9	39.5	12	70	79	86
-	W634022.HD12X80CIN	22	20	14.5	21	9.9	39.5	12	80	81	86
-	W634022.HD16X30CIN	22	20	19	21	13.1	39.5	16	30	74	153
-	W634022.HD16X35CIN	22	20	19	21	13.1	39.5	16	35	75	153
-	W634022.HD16X40CIN	22	20	19	21	13.1	39.5	16	40	76	153
-	W634022.HD16X45CIN	22	20	19	21	13.1	39.5	16	45	77	153
-	W634022.HD16X50CIN	22	20	19	21	13.1	39.5	16	50	78	153
-	W634022.HD16X60CIN	22	20	19	21	13.1	39.5	16	60	80.5	153
-	W634022.HD16X70CIN	22	20	19	21	13.1	39.5	16	70	83	153
-	W634022.HD16X80CIN	22	20	19	21	13.1	39.5	16	80	85	153