

# W634CIN

## FULL STAINLESS STEEL QUICK RELEASE DETENT PIN



INOX

### Materials:

- (1) Turned stainless steel body (Aisi 303).
- (2) Turned stainless steel pin (Aisi 303).
- (3) Stainless steel spring (Aisi 301).
- (4) Hardened stainless steel balls (Aisi 440C).

### Surface finish:

Natural.

### Colour:

Natural.

### ATTENTION:

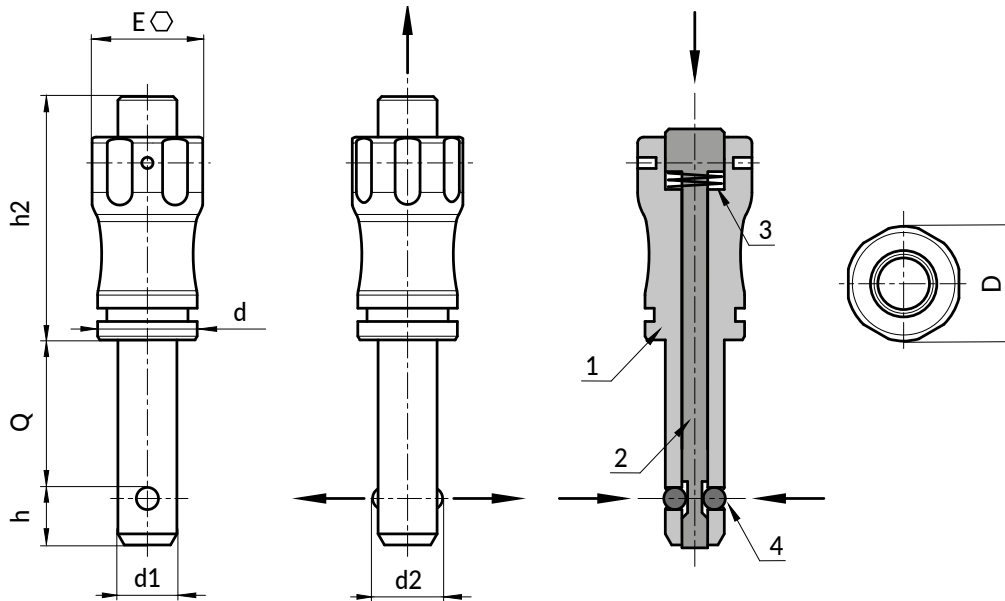
> We recommend an H11 tolerance for the plunger stem bore.

### Notes:

The quick release detent pin is a quick and easy way to connect components or secure pieces to be machined.

### Special Requests:

- None.



W.S

### Version W634CIN: without ring

| Code | Art.               | D    | d  | d2   | E  | h   | h2 | d1H9 | Q(+0.6) | g    | Shear strength to double shear strength max. kN |
|------|--------------------|------|----|------|----|-----|----|------|---------|------|---|
| -    | W634011.HD05X10CIN | 11.5 | 10 | 5.5  | 11 | 5.9 | 25 | 5    | 10      | 12   | 15  |
| -    | W634011.HD05X15CIN | 11.5 | 10 | 5.5  | 11 | 5.9 | 25 | 5    | 15      | 12   | 15  |
| -    | W634011.HD05X20CIN | 11.5 | 10 | 5.5  | 11 | 5.9 | 25 | 5    | 20      | 13   | 15  |
| -    | W634011.HD05X25CIN | 11.5 | 10 | 5.5  | 11 | 5.9 | 25 | 5    | 25      | 16   | 15  |
| -    | W634011.HD05X30CIN | 11.5 | 10 | 5.5  | 11 | 5.9 | 25 | 5    | 30      | 19   | 15  |
| -    | W634011.HD06X10CIN | 11.5 | 10 | 6.85 | 11 | 6.8 | 25 | 6    | 10      | 13   | 22  |
| -    | W634011.HD06X15CIN | 11.5 | 10 | 6.85 | 11 | 6.8 | 25 | 6    | 15      | 13   | 22  |
| -    | W634011.HD06X20CIN | 11.5 | 10 | 6.85 | 11 | 6.8 | 25 | 6    | 20      | 13.5 | 22  |
| -    | W634011.HD06X25CIN | 11.5 | 10 | 6.85 | 11 | 6.8 | 25 | 6    | 25      | 14   | 22  |

# W634CIN

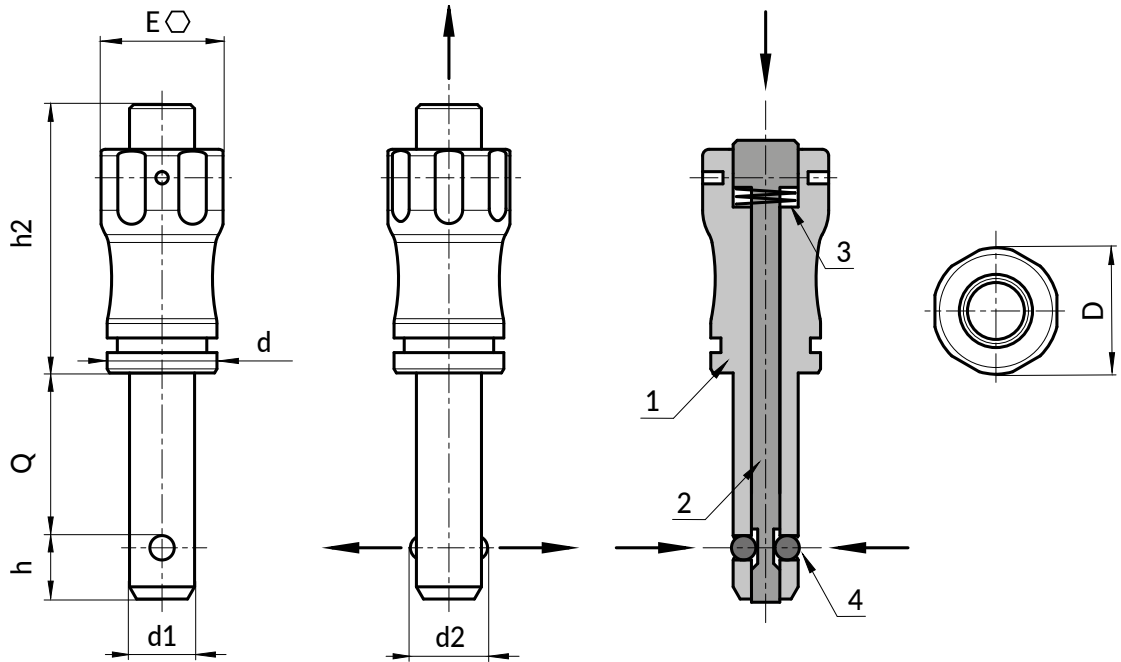
## FULL STAINLESS STEEL QUICK RELEASE DETENT PIN

+200°  
-20°

AISI  
303

RoHS  
COMPLIANT

INOX



| Code | Art.               | D    | d    | d2   | E  | h    | h2   | d1H9 | Q(+0.6) | g    | Shear strength to double shear strength max. kN |
|------|--------------------|------|------|------|----|------|------|------|---------|------|---|
| -    | W634011.HD06X30CIN | 11.5 | 10   | 6.85 | 11 | 6.8  | 25   | 6    | 30      | 14.5 | 22  |
| -    | W634011.HD06X35CIN | 11.5 | 10   | 6.85 | 11 | 6.8  | 25   | 6    | 35      | 17.5 | 22  |
| -    | W634011.HD06X40CIN | 11.5 | 10   | 6.85 | 11 | 6.8  | 25   | 6    | 40      | 21   | 22  |
| -    | W634011.HD06X45CIN | 11.5 | 10   | 6.85 | 11 | 6.8  | 25   | 6    | 45      | 23   | 22  |
| -    | W634011.HD06X50CIN | 11.5 | 10   | 6.85 | 11 | 6.8  | 25   | 6    | 50      | 26   | 22  |
| -    | W634015.HD08X20CIN | 15.5 | 13.5 | 9.5  | 15 | 7.8  | 33   | 8    | 20      | 26   | 38  |
| -    | W634015.HD08X25CIN | 15.5 | 13.5 | 9.5  | 15 | 7.8  | 33   | 8    | 25      | 27   | 38  |
| -    | W634015.HD08X30CIN | 15.5 | 13.5 | 9.5  | 15 | 7.8  | 33   | 8    | 30      | 27.5 | 38  |
| -    | W634015.HD08X35CIN | 15.5 | 13.5 | 9.5  | 15 | 7.8  | 33   | 8    | 35      | 28   | 38  |
| -    | W634015.HD08X40CIN | 15.5 | 13.5 | 9.5  | 15 | 7.8  | 33   | 8    | 40      | 28.5 | 38  |
| -    | W634015.HD08X45CIN | 15.5 | 13.5 | 9.5  | 15 | 7.8  | 33   | 8    | 45      | 28.5 | 38  |
| -    | W634015.HD08X50CIN | 15.5 | 13.5 | 9.5  | 15 | 7.8  | 33   | 8    | 50      | 30   | 38  |
| -    | W634015.HD10X20CIN | 15.5 | 13.5 | 12   | 15 | 8.9  | 33   | 10   | 20      | 27.5 | 60  |
| -    | W634015.HD10X25CIN | 15.5 | 13.5 | 12   | 15 | 8.9  | 33   | 10   | 25      | 28   | 60  |
| -    | W634015.HD10X30CIN | 15.5 | 13.5 | 12   | 15 | 8.9  | 33   | 10   | 30      | 28.5 | 60  |
| -    | W634015.HD10X35CIN | 15.5 | 13.5 | 12   | 15 | 8.9  | 33   | 10   | 35      | 29   | 60  |
| -    | W634015.HD10X40CIN | 15.5 | 13.5 | 12   | 15 | 8.9  | 33   | 10   | 40      | 29.5 | 60  |
| -    | W634015.HD10X45CIN | 15.5 | 13.5 | 12   | 15 | 8.9  | 33   | 10   | 45      | 30   | 60  |
| -    | W634015.HD10X50CIN | 15.5 | 13.5 | 12   | 15 | 8.9  | 33   | 10   | 50      | 30.5 | 60  |
| -    | W634015.HD10X60CIN | 15.5 | 13.5 | 12   | 15 | 8.9  | 33   | 10   | 60      | 31.5 | 60  |
| -    | W634022.HD12X25CIN | 22   | 20   | 14.5 | 21 | 9.9  | 39.5 | 12   | 25      | 62.5 | 86  |
| -    | W634022.HD12X30CIN | 22   | 20   | 14.5 | 21 | 9.9  | 39.5 | 12   | 30      | 63.5 | 86  |
| -    | W634022.HD12X35CIN | 22   | 20   | 14.5 | 21 | 9.9  | 39.5 | 12   | 35      | 64.5 | 86  |
| -    | W634022.HD12X40CIN | 22   | 20   | 14.5 | 21 | 9.9  | 39.5 | 12   | 40      | 65.5 | 86  |
| -    | W634022.HD12X45CIN | 22   | 20   | 14.5 | 21 | 9.9  | 39.5 | 12   | 45      | 66   | 86  |
| -    | W634022.HD12X50CIN | 22   | 20   | 14.5 | 21 | 9.9  | 39.5 | 12   | 50      | 75.5 | 86  |
| -    | W634022.HD12X60CIN | 22   | 20   | 14.5 | 21 | 9.9  | 39.5 | 12   | 60      | 77.5 | 86  |
| -    | W634022.HD12X70CIN | 22   | 20   | 14.5 | 21 | 9.9  | 39.5 | 12   | 70      | 79   | 86  |
| -    | W634022.HD12X80CIN | 22   | 20   | 14.5 | 21 | 9.9  | 39.5 | 12   | 80      | 81   | 86  |
| -    | W634022.HD16X30CIN | 22   | 20   | 19   | 21 | 13.1 | 39.5 | 16   | 30      | 74   | 153   |
| -    | W634022.HD16X35CIN | 22   | 20   | 19   | 21 | 13.1 | 39.5 | 16   | 35      | 75   | 153   |
| -    | W634022.HD16X40CIN | 22   | 20   | 19   | 21 | 13.1 | 39.5 | 16   | 40      | 76   | 153   |
| -    | W634022.HD16X45CIN | 22   | 20   | 19   | 21 | 13.1 | 39.5 | 16   | 45      | 77   | 153   |
| -    | W634022.HD16X50CIN | 22   | 20   | 19   | 21 | 13.1 | 39.5 | 16   | 50      | 78   | 153   |
| -    | W634022.HD16X60CIN | 22   | 20   | 19   | 21 | 13.1 | 39.5 | 16   | 60      | 80.5 | 153   |
| -    | W634022.HD16X70CIN | 22   | 20   | 19   | 21 | 13.1 | 39.5 | 16   | 70      | 83   | 153   |
| -    | W634022.HD16X80CIN | 22   | 20   | 19   | 21 | 13.1 | 39.5 | 16   | 80      | 85   | 153   |

W.S