

W622



LONG SMOOTH STEEL SPRING PLUNGER WITH HEAD

Materials:

(2) Plunger body in free-cutting steel.

Surface finish:

Smooth.

Colour:

Black-oxide treated.

Nose pin:

Hardened steel nose pin.

Type of spring thrust:

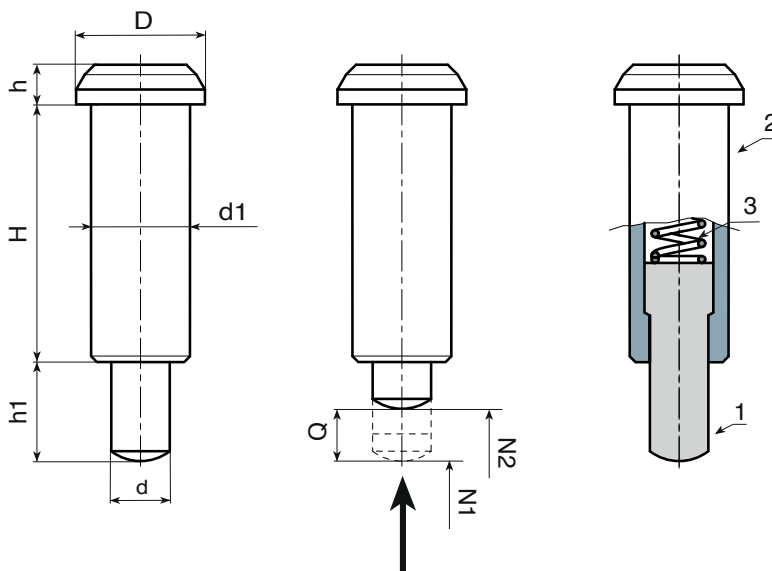
Normal.

Spring:

Harmonic steel spring.

Special requests:

- None.



W.P

Code	art.	D	H	h1	h	d	N1 (N)	N2 (N)	d1(+0-0.08)	g
-	W622.VBD08	10	20.8	8	3.2	3.95	30	90	8	8
-	W622.VBD10	13	26	10	4	5.95	42	110	10	14
-	W622.VBD12	16	31	12	5	7.95	50	130	12	26