

W610



SMOOTH BRASS DOUBLE BALL SPRING PLUNGER

Materials:

Plunger body in turned brass.

Ball:

Hardened stainless steel ball (Aisi 420).

Type of spring thrust:

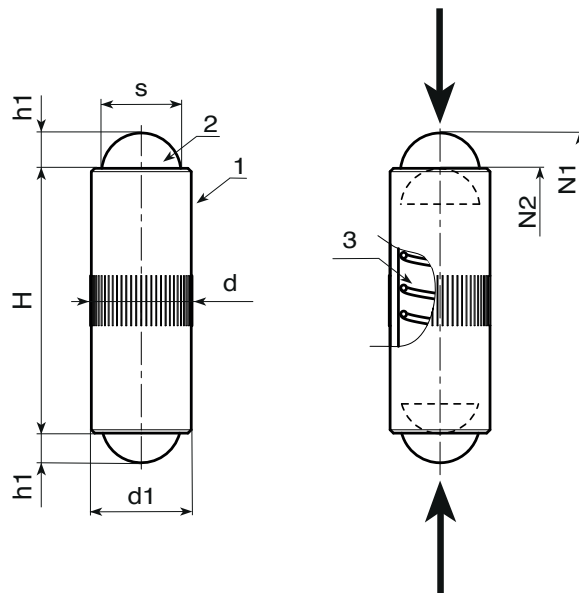
Normal.

Spring:

Stainless steel spring (Aisi 301).

Special requests:

- None.



W.P

| Code | art. | s | H(+0-0.2) | h1 | d(+0.05-0) | N1 (N) | N2 (N) | d1 | g |
|------|------------|---|-----------|-----|------------|--------|--------|----|------|
| - | W610.OND04 | 3 | 10 | 0.9 | 4.05 | 3 | 7 | 4 | 0.7 |
| - | W610.OND05 | 4 | 12 | 1.2 | 5.05 | 4 | 8 | 5 | 1.3 |
| - | W610.OND06 | 5 | 16 | 1.6 | 6.05 | 6 | 10 | 6 | 2.4 |
| - | W610.OND08 | 6 | 20 | 2 | 8.05 | 8 | 12 | 8 | 5.8 |
| - | W610.OND10 | 8 | 24 | 2.9 | 10.05 | 10 | 16 | 10 | 10.5 |