

W600CIN

SMOOTH FULL STAINLESS STEEL BALL PLUNGER WITHOUT COLLAR



INOX

Materials:

Stainless steel plunger body (Aisi 303).

Surface finish:

Smooth.

Colour:

Natural stainless steel.

Ball:

Hardened stainless steel ball (Aisi 420).

Type of spring thrust:

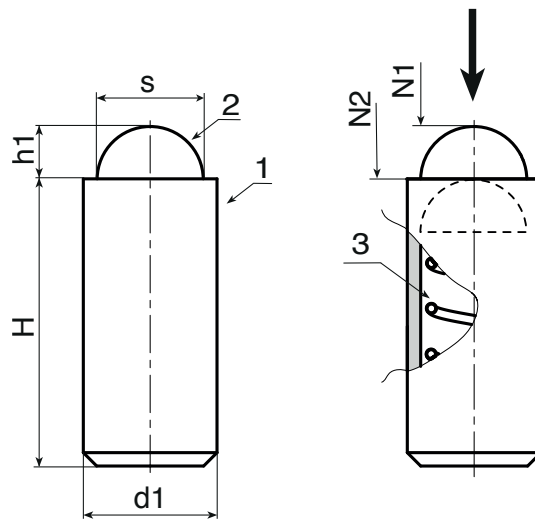
Normal.

Spring:

Stainless steel spring (Aisi 301).

Special requests:

- None.



W.P

INOX

Code	art.	s	H	h1	N1 (N)	N2 (N)	d1(+0.02 -0.06)	g
-	W600.IND03CIN	2	7	0.65	5	7	3	0.4
-	W600.IND04CIN	3	9	0.8	12	22	4	0.6
-	W600.IND05CIN	4	12	1	19	30	5	1.2
-	W600.IND06CIN	5	14	1.5	22	40	6	2
-	W600.IND08CIN	6	16	1.8	42	73	8	5
-	W600.IND10CIN	8	22	2.7	54	100	10	9
-	W600.IND12CIN	10	24	3.2	54	122	12	15