

# W516



## METAL INDEXED CLAMPING LEVER WITH INCLINED ARM AND THREADED HOLE INSERT

### Materials:

(1-2-5) Lever body, arm and indexed insert in steel with strength class 5.8.

### Surface finish:

(1-2-5) Turned with low roughness.  
(6) Satin.

### Colour:

(1-2-5) Standard black-oxide treatment.

### Handgrip:

(6) Ball knob I103 in reinforced polyamide in black Ral 9011 [see page ].

### Handgrip fixing method:

Screwed on and glued.

### Hole:

Female threaded hole machined from the insert (hole tolerance 6H).

### Spring:

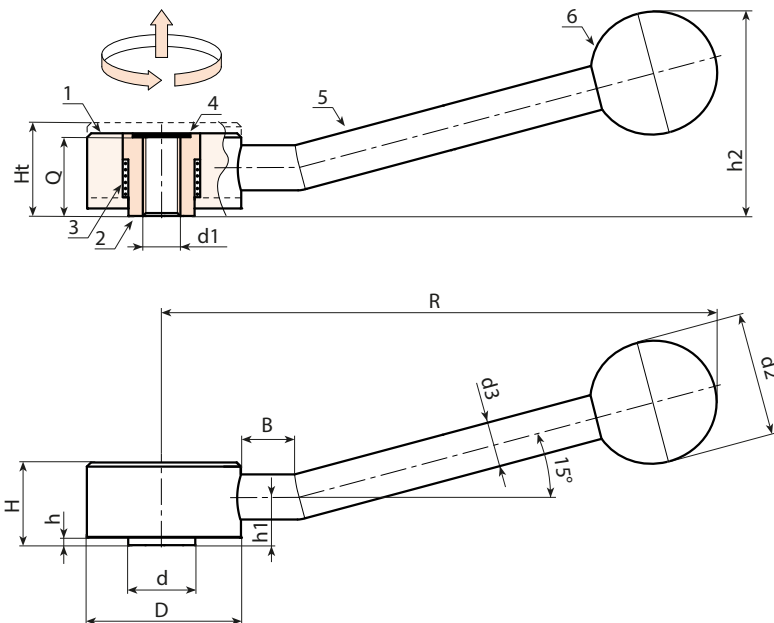
(3) Stainless steel spring (Aisi 302).

### Cap:

(4) Aluminium hole cover cap, glued.

### Special requests:

- None.



Code	Art.	D	R	d	B	H	Ht	h	h1	h2	d2	d3	d16H	Q	
W516114.0001	W516114.VBM0601	33	112	13,5	15	19	23	2	12	41	25	10	M6	18	166
W516114.0002	W516114.VBM0801	33	112	13,5	15	19	23	2	12	41	25	10	M8	18	164
W516146.0001	W516146.VBM1001	41	142	19	15	22	26	2	13,5	53	30	12	M10	21	295
W516146.0002	W516146.VBM1201	41	142	19	15	22	26	2	13,5	53	30	12	M12	21	290
W516165.0001	W516165.VBM1201	45	162	23	15	28	33	2	17	66	35	14	M12	27	467
W516165.0002	W516165.VBM1601	45	162	23	15	28	33	2	17	66	35	14	M16	27	451